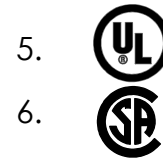


DWG. NO.	BBLU-065S	REV.	-
----------	-----------	------	---

REV.	CAT. NO.	SUFFIX	STUD HOLE	DIMENSIONS					APPROX. WEIGHT (LB)	STRIP LENGTH
				A	B	C	D	E		
-	BBLU-065S	S	1/2	5.41	1.75	2.81	.27	1.78	0.781	2.94
-	BBLU-065S1	S1	5/8	5.41	1.75	2.81	.27	1.78	0.776	

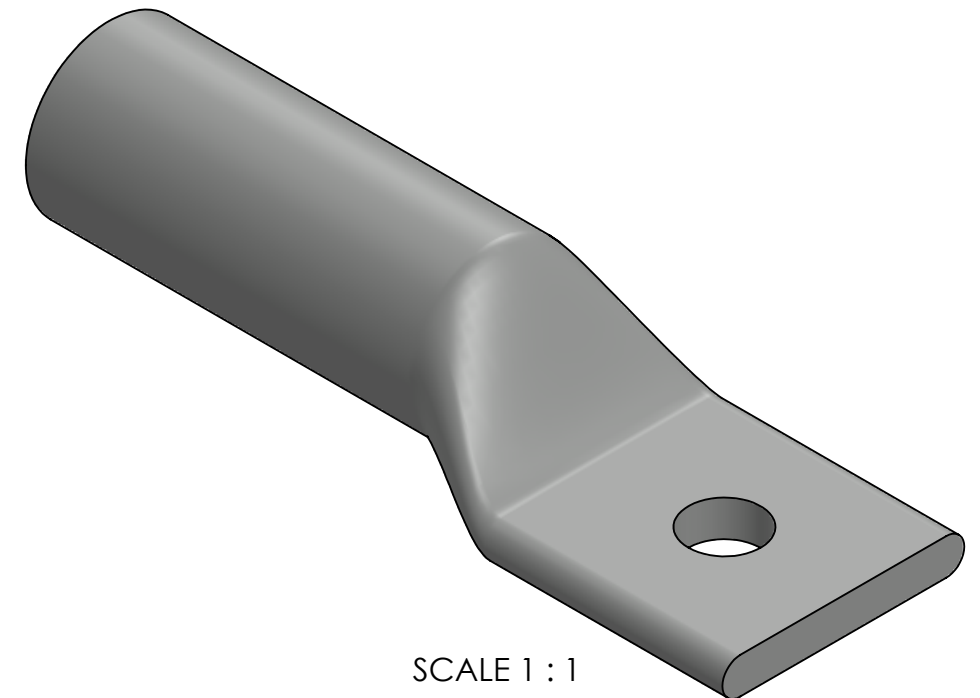
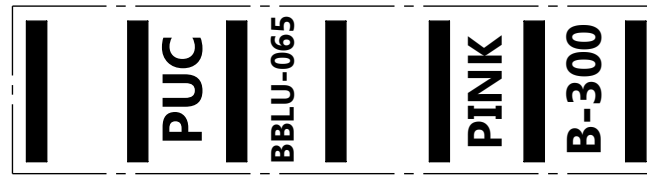
METAL STAMP TO READ:

1. 650
2. CU
3. "SUFFIX"
4. "STUD HOLE"

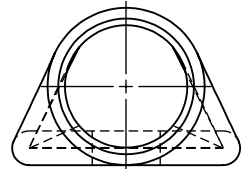
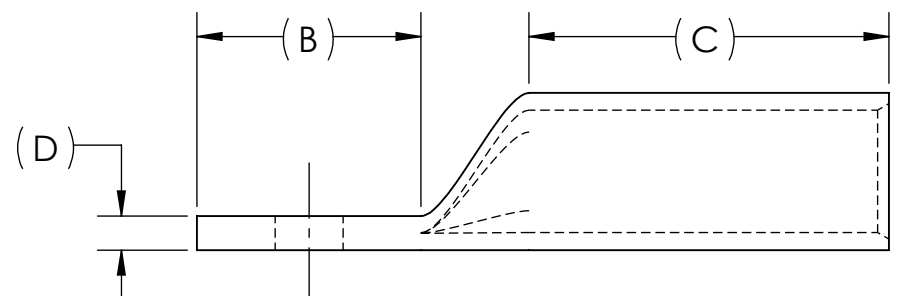
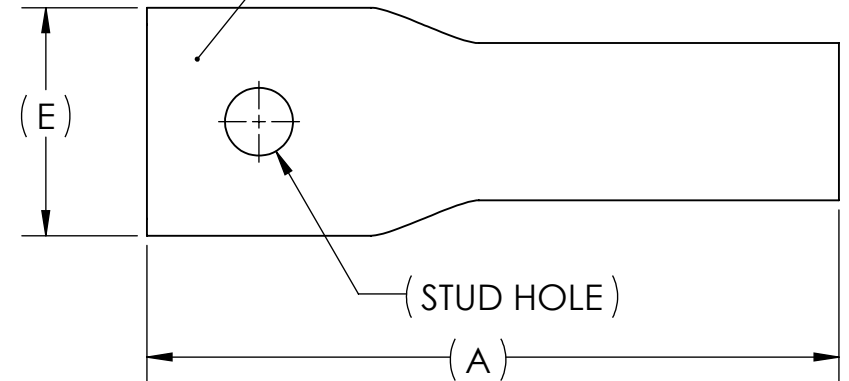


USE BELOW OPTIONAL SUFFIXES FOR ALTERNATE LUG CONFIGURATIONS:
 -45 FOR 45° BENT PAD
 -90 FOR 90° BENT PAD
 -FL FOR FLARED BARREL ENTRY
 -U FOR UNDRILLED PAD
 EXAMPLE: BBLU-065S1-FL

INK STAMP REFERENCE



SCALE 1 : 1



NOTES:

1. ALL DIMENSIONS IN INCHES UNLESS OTHERWISE SPECIFIED
2. SEE INSTALLATION SHEET FOR WIRE SIZE AND TOOLING RECOMMENDATIONS
3. TIN-PLATED TO INHIBIT CORROSION
4. RATED FOR COPPER CONDUCTORS ONLY
5. BEVELED ENTRY FOR EASY CABLE INSERTION
6. CONNECTORS ARE SUITABLE FOR VOLTAGES UP TO 35 KV
7. FOR APPLICATIONS GREATER THAN 2000 VOLTS, CONSULT CABLE MANUFACTURER FOR VOLTAGE STRESS RELIEF INSTRUCTIONS
8. CONNECTORS ARE UL LISTED PER UL486A-B AND CSA CERTIFIED PER C22.2 NO.65 FOR POWER APPLICATIONS UP TO 90°C



NO.	ECN	DATE
REVISIONS		

				X					COPPER TUBING
			QTY.	PT.	NAME OR DESCRIPTION				
					PENN-CRIMP LUG				
					for				
					650 MCM COPPER CONDUCTORS				
					REF. DWG'S: 2H08-54756, 2H08-54762				H:\2H08\BBLU-065S
					DRAWN BY: DT		DATE: 2/22/2023	CHK'D: QJB	
					SCALE: 2:3		INTERPRET PER ASME Y14.5-2009	FILE: 2H08	
					SIZE: B				
								DWG. NO.	BBLU-065S
								REV.	-