

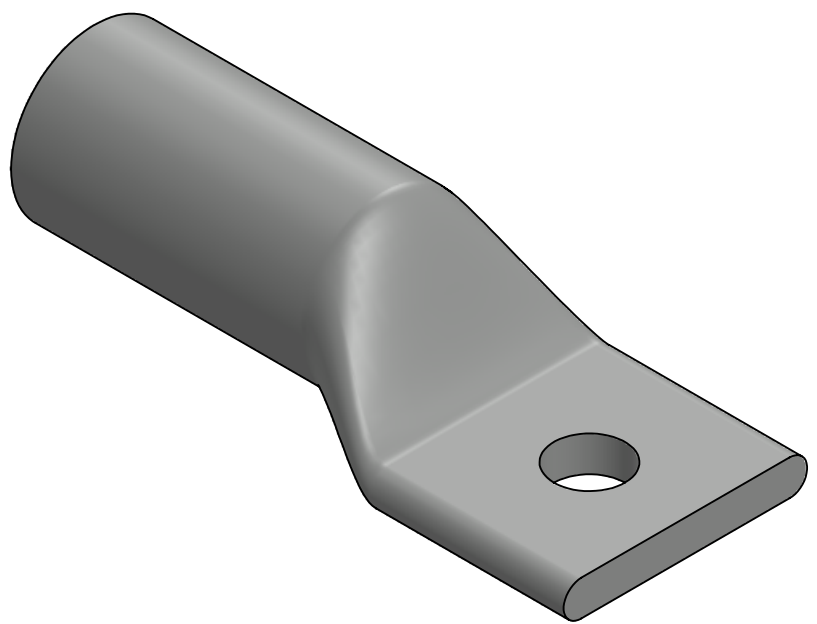
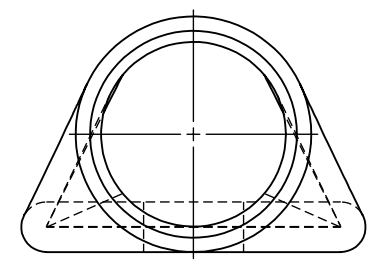
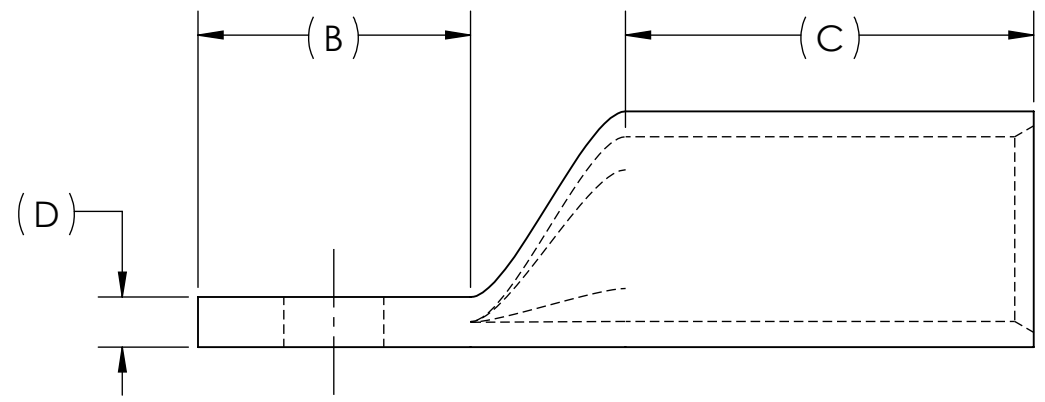
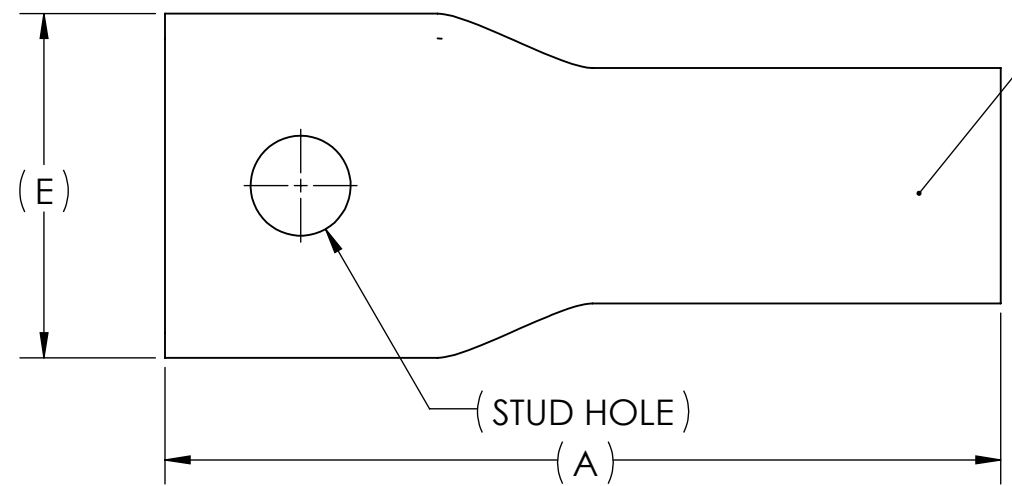


DWG. NO.	BBLU-150S	REV.	-	REV.	CAT. NO.	STUD HOLE	DIMENSIONS					APPROX. WEIGHT (LB)	STRIP LENGTH
							A	B	C	D	E		
				05	BBLU-150S	3/4	6.53	2.13	3.19	.39	2.69	2.066	3.31

USE BELOW OPTIONAL SUFFIXES FOR ALTERNATE LUG CONFIGURATIONS:
-45 FOR 45° BENT PAD
-90 FOR 90° BENT PAD
-FL FOR FLARED BARREL ENTRY
-U FOR UNDRILLED PAD
EXAMPLE: BBLU-150S-FL

- METAL STAMP TO READ:
1. PUC
 2. BBLU-150S
 3. B-31
 4. 1500 MCM
 5. 1111 MCM 2750/24
 6. 
 7. 



- NOTES:
1. ALL DIMENSIONS IN INCHES UNLESS OTHERWISE SPECIFIED
 2. SEE INSTALLATION SHEET FOR WIRE SIZE AND TOOLING RECOMMENDATIONS
 3. TIN-PLATED TO INHIBIT CORROSION
 4. RATED FOR COPPER CONDUCTORS ONLY
 5. BEVELED ENTRY FOR EASY CABLE INSERTION
 6. CONNECTORS ARE SUITABLE FOR VOLTAGES UP TO 35 KV
 7. FOR APPLICATIONS GREATER THAN 2000 VOLTS, CONSULT CABLE MANUFACTURER FOR VOLTAGE STRESS RELIEF INSTRUCTIONS
 8. CONNECTORS ARE UL LISTED PER UL486A-B AND CSA CERTIFIED PER C22.2 NO.65 FOR POWER APPLICATIONS UP TO 90°C



NO.	ECN	DATE
REVISIONS		

		X		COPPER TUBING					
QTY.		PT.		NAME OR DESCRIPTION					
				PENN-CRIMP LUG					
				for					
				1500 MCM COPPER CONDUCTORS					
				REF. DWG'S: 2H08-32754				H:\2H08\BBLU-150S	
				DRAWN BY: DT		DATE: 2/22/2023		CHK'D: QJB	
				SCALE: 2:3		INTERPRET PER ASME Y14.5-2009		FILE: 2H08	
				SIZE: B		DWG. NO. BBLU-150S		REV. -	
				SEE TABLE		CAT. NO. PENNUNION™			
						229 WATERFORD STREET			
						EDINBORO, PA 16412 USA			