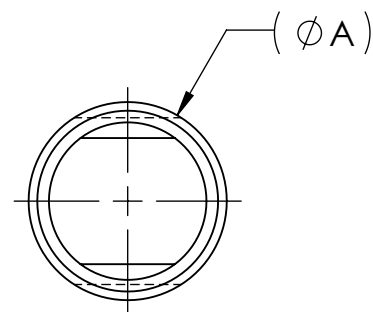
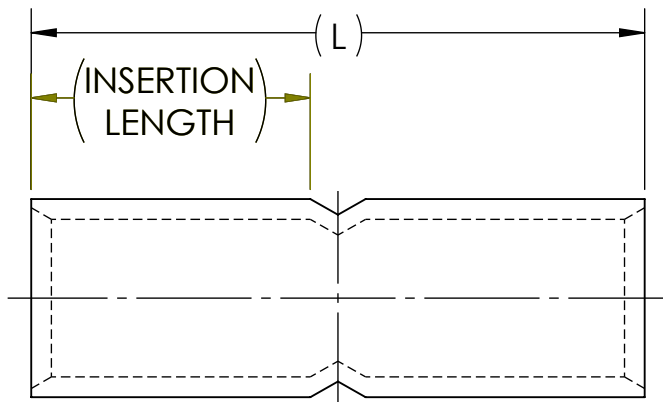
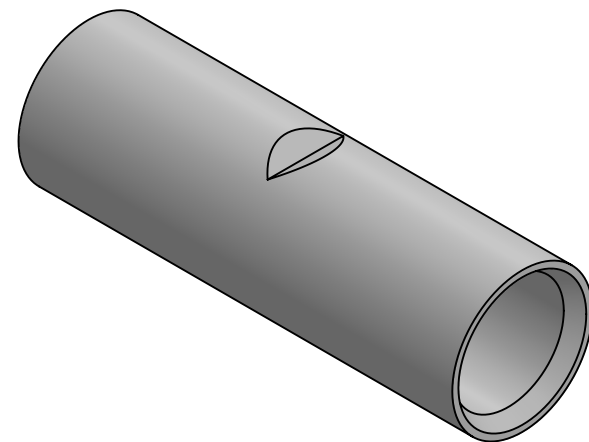
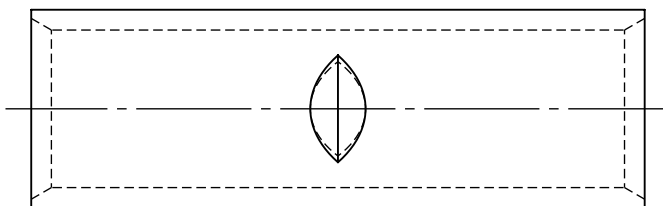


BCU-4/0 INK STAMP IS SHOWN FOR REFERENCE ONLY. INK STAMP WILL VARY BY SKU. INK STAMP HIDDEN FROM VIEWS FOR CLARITY.



NOTES:

1. ALL DIMENSIONS IN INCHES UNLESS OTHERWISE SPECIFIED
2. TIN-PLATED TO INHIBIT CORROSION
3. RATED FOR COPPER CONDUCTORS ONLY
4. BEVELED ENTRY FOR EASY CABLE INSERTION
5. POSITIVE CABLE STOPS TO ENSURE PROPER INSERTION OF CONDUCTORS TO FULL DEPTH
6. CONNECTORS ARE SUITABLE FOR USE IN CIRCUITS WITH VOLTAGES UP TO 35 KV IF TAPED ACCORDING TO ACCEPTED PRACTICES, 5 KV IS THE MAXIMUM VOLTAGE LEVEL IN ALL BARE SPLICE APPLICATIONS
7. FOR APPLICATIONS GREATER THAN 2000 VOLTS, CONSULT CABLE MANUFACTURER FOR VOLTAGE STRESS RELIEF INSTRUCTIONS
8. CONNECTORS FROM 8 AWG - 2000 MCM ARE UL LISTED PER UL486A-B AND CSA CERTIFIED PER C22.2 NO.65 FOR POWER APPLICATIONS UP TO 90°C
9. CONNECTORS FROM 8 AWG - 500 MCM ARE UL LISTED FOR GROUNDING, BONDING, AND DIRECT BURIAL APPLICATIONS PER UL467
10. CONNECTORS FROM 8 AWG - 250 MCM ARE CSA CERTIFIED FOR GROUNDING, BONDING, AND DIRECT BURIAL APPLICATIONS PER C22.2 NO.41



REV.	CAT. NO.	CONDUCTOR SIZE	DIMENSIONS			APPROX. WEIGHT (LB)
			L	INSERTION LENGTH	Ø A	
0	BCU-8	8 AWG COPPER	1.75	.78	.27	0.016
0	BCU-6	6 AWG COPPER	1.75	.78	.29	0.020
0	BCU-5	5 AWG COPPER	1.75	.78	.30	0.017
0	BCU-4	4 AWG COPPER	1.75	.78	.34	0.024
0	BCU-3	3 AWG COPPER	1.88	.84	.38	0.028
0	BCU-2	2 AWG COPPER	1.88	.84	.42	0.037
0	BCU-1	1 AWG COPPER	1.88	.84	.46	0.039
0	BCU-1/0	1/0 AWG COPPER	1.88	.84	.51	0.051
0	BCU-2/0	2/0 AWG COPPER	2.00	.91	.56	0.060
0	BCU-3/0	3/0 AWG COPPER	2.13	.97	.62	0.074
0	BCU-4/0	4/0 AWG COPPER	2.13	.97	.69	0.092
0	BCU-025	250 MCM COPPER	2.25	1.03	.75	0.117
0	BCU-030	300 MCM COPPER	2.25	1.03	.81	0.133
0	BCU-035	350 MCM COPPER	2.38	1.09	.88	0.164
0	BCU-040	400 MCM COPPER	2.50	1.16	.95	0.205
0	BCU-045	450 MCM COPPER	2.88	1.38	1.01	0.270
0	BCU-050	500 MCM COPPER	2.88	1.34	1.06	0.308
0	BCU-060	600 MCM COPPER	2.88	1.34	1.19	0.403
0	BCU-065	650 MCM COPPER	2.88	1.34	1.23	0.428
0	BCU-075	750 MCM COPPER	3.38	1.59	1.30	0.531
0	BCU-080	800 MCM COPPER	3.38	1.59	1.35	0.505
0	BCU-100	1000 MCM COPPER	3.88	1.84	1.50	0.851
0	BCU-150	1500 MCM COPPER	4.13	1.97	1.84	1.341
0	BCU-200	2000 MCM COPPER	4.63	2.22	2.13	2.010


X		COPPER TUBING	
QTY.	PT.	NAME OR DESCRIPTION	
		STANDARD BARREL CRIMP SPLICE for COPPER CONDUCTORS	
REF. DWG'S:		H:\2H05\BCU_SERIES_C	
DRAWN BY: QB		DATE: 8/3/2021	CHK'D: NAK
SCALE: 3:2		INTERPRET PER ASME Y14.5-2009	FILE: 2H05
SIZE: B		DWG. NO. <b>BCU SERIES</b> REV. -	
SEE TABLE		CAT. NO. <b>BCU SERIES</b> SHEET 1 OF 2	
NO. ECN DATE		REVISIONS	

CATALOG NUMBER	WIRE SIZE RECOMMENDATIONS										STRIP LENGTH (IN.)	DIE COLOR CODE	INSTALLATION TOOLING							
	CLASS B & C SIZE & STRANDING	CLASS I SIZE & STRANDING	CLASS K SIZE & STRANDING	DLO SIZE & STRANDING	CLASS H SIZE & STRANDING	CLASS G SIZE & STRANDING	CLASS M SIZE & STRANDING	METRIC SIZE & DIA.	NAVY	AIR CRAFT			HYDRAULIC TOOLING INFORMATION				MECHANICAL CRIMP TOOLS			
													PUC CRIMP TOOL NUMBERS	PUC DIE CATALOG NUMBER	BURNDY CRIMP TOOL NUMBERS	BURNDY DIE INDEX NUMBER	T&B TBM-15 DIE CODE NUMBER	ILSCO & RIGID DIELESS CRIMP TOOLS	CLASS B & C	CLASS I, K, & DLO
BCU-8	#8 AWG 7 OR 19	#8 AWG 41/24	-	-	*#8 AWG 133/.0111	*#8 AWG 49/.0184	#8 AWG 420/34	6MM <sup>2</sup> 3.21MM	#23	AN-8	15/16	RED	TPU-12, TPU-18 & TPU-1500H	T-49	-	6	21	-	PUC TDM-250, TDM-408, TDM-500, BURNDY MY29-3	PUC TDM-250XF BURNDY MY29-11
BCU-6	#6 AWG SOLID, 7 OR 19	#6 AWG 63/24	-	-	*#7 AWG 133/.0125	*#7 AWG 49/.0206	#7 AWG 532/24	10MM <sup>2</sup> 4.12MM	-	-	15/16	BLUE	TPU-6, TPU-12, TPU-18 & TPU-1500H	T-7	-	7 OR 374	24	-	-	
BCU-5	#5 AWG 7 OR 19	-	-	-	*#6 AWG 133/.0140	*#6 AWG 49/.0231	#6 AWG 665/34	16MM <sup>2</sup> 5.18MM	#30	AN-6	15/16	BLUE		T-7	-	7 OR 374	-	-	-	
BCU-4	#4 AWG SOLID, 7 OR 19	-	-	-	*#5 AWG 133/.0158	*#5 AWG 49/.0260	#5 AWG 836/34	*20MM <sup>2</sup> 5.72MM	#40	-	15/16	GRAY		T-8	-	8 OR 346	29	-	PUC TDM-250, TDM-408, TDM-500, BURNDY MY29-3	
BCU-3	#3 AWG 7 OR 19	#4 AWG 105/24	#4 AWG 420/30	#4 AWG 105/24	#4 AWG 133/.0177	#4 AWG 49/.0292	#4 AWG 1064/34	25MM <sup>2</sup> 6.60MM	#50	AN-4	1	WHITE		T-9	-	9	-	-	-	
BCU-2	#2 AWG 7 OR 19	-	-	-	*#3 AWG 133/.0199	*#3 AWG 49/.0328	#3 AWG 1323/34	*30MM <sup>2</sup> 7.01MM	#60	-	1	BROWN		T-10	-	10	33	-	-	
BCU-1	#1 AWG 19 OR 37	#2 AWG 161/24	#2 AWG 665/30	#2 AWG 150/24	#2 AWG 133/.0223	#2 AWG 49/.0368	#2 AWG 1666/34	*40MM <sup>2</sup> 8.20MM	#75	AN-2	1	GREEN		T-11	-	11 OR 375	37	-	-	
BCU-1/0	1/0 AWG 19 OR 37	-	#1 AWG 836/30	#1 AWG 225/24	#1 AWG 259/.0180	#1 AWG 133/.0251	#1 AWG 2107/34	50MM <sup>2</sup> 9.27MM	#100	AN-1	1	PINK		T-12	-	12 OR 348	42	-	PUC TDM-250, TDM-408, TDM-500, BURNDY MY29-3	PUC TDM-250XF BURNDY MY29-11
BCU-2/0	2/0 AWG 19 OR 37	1/0 AWG 266/24	1/0 AWG 1064/30	1/0 AWG 275/24	1/0 AWG 259/.0202	1/0 AWG 133/.0282	1/0 AWG 2646/34	70MM <sup>2</sup> 10.92MM	#125	AN-1/0	1-1/16	BLACK		TPU-6, TPU-12, TPU-18, TPU-1500H & HDT-1000	T-13	-	13	45	-	-
BCU-3/0	3/0 AWG 19 OR 37	2/0 AWG 342/24	2/0 AWG 1323/30	2/0 AWG 325/24	2/0 AWG 259/.0227	2/0 AWG 133/.0316	-	*85MM <sup>2</sup> 11.94MM	#150	-	1-1/8	ORANGE			T-14	-	14	50	-	-
BCU-4/0	4/0 AWG 19 OR 37	-	3/0 AWG 1666/30	3/0 AWG 450/24	3/0 AWG 259/.0255	3/0 AWG 133/.0355	2/0 AWG 3325/34	95MM <sup>2</sup> 12.80MM	#200	AN-2/0 AN-3/0	1-1/8	PURPLE			T-15	-	15	54	-	-
BCU-025	250 MCM 37 OR 61	-	-	-	-	-	3/0 AWG 4256/34	120MM <sup>2</sup> 14.4MM	-	-	1-3/16	YELLOW	T-16		-	16	62	-	PUC TDM-250, TDM-500, BURNDY MY29-3	
BCU-030	300 MCM 37 OR 61	4/0 AWG 532/24	4/0 AWG 2107/30	4/0 AWG 550/24	*4/0 AWG 259/.0286	*4/0 AWG 133/.0399	4/0 AWG 5320/34	150MM <sup>2</sup> 16.00MM	#300	AN-4/0	1-3/16	WHITE	T-17		-	17	66	-	-	
BCU-035	350 MCM 37 OR 61	-	-	262 MCM 650/24	*250 MCM 427/.0242	250 MCM 259/.0311	-	180MM <sup>2</sup> 17.42MM	#350	-	1-1/4	RED	T-18		-	18 OR 324	71	-	PUC TDM-500	
BCU-040	400 MCM 37 OR 61	-	-	313 MCM 775/24	300 MCM 427/.0265	300 MCM 259/.0340	250 MCM 6384/34	185MM <sup>2</sup> 17.80MM	#400	-	1-5/16	BLUE	T-19		-	19 OR 470	76	-	-	
BCU-045	450 MCM 37 OR 61	-	-	-	*350 MCM 427/.0286	*350 MCM 259/.0368	300 MCM 7581/34	-	-	-	1-1/2	BLUE	T-19		-	19 OR 470	76	-	-	
BCU-050	500 MCM 37 OR 61	350 MCM 882/24	-	373 MCM 925/24	400 MCM 427/.0306	400 MCM 259/.0393	350 MCM 8806/34	240MM <sup>2</sup> 20.30MM	-	-	1-1/2	BROWN	T-20		-	20 OR 299	87	-	PUC TDM-500	
BCU-060	600 MCM 61 OR 91	-	-	444 MCM 1100/24	450 MCM 427/.0325	450 MCM 259/.0417	400 MCM 10101/34	300MM <sup>2</sup> 22.63MM	-	-	1-1/2	GREEN	T-22		-	22 OR 472	94	-	-	
BCU-065	650 MCM 61 OR 91	500 MCM 1225/24	-	535 MCM 1325/24	500 MCM 427/.0342	500 MCM 259/.0439	450 MCM 11396/34	-	-	-	1-1/2	PINK	TPU-6FT, TPU-12, TPU-18, TPU-1500H & HDT-1000	T-300	-	300	99	-	-	
BCU-075	750 MCM 61 OR 91	-	-	646 MCM 1600/24	*550 MCM 703/.0280	*550 MCM 427/.0359	500 MCM 12691/34	-	-	-	1-3/4	BLACK		T-24	-	24 OR 473	106	-	-	
BCU-080	800 MCM 61 OR 91	-	-	-	*650 MCM 703/.0304	*650 MCM 427/.0390	550 MCM 13664/34	400MM <sup>2</sup> 26.1MM	-	-	1-3/4	ORANGE	TPU-18, TPU-1500H, TPU-15BH & HDT-1000	-	-	25	107	-	-	
BCU-100	1000 MCM 61 OR 91	750 MCM 1862/24	-	777 MCM 1925/24	*700 MCM 703/.0316	*750 MCM 427/.0419	600 MCM 14945/34	500MM <sup>2</sup> 29.3MM	-	-	2	WHITE		TPU-18, TPU-1500H & HDT-1000	T-100PH USE WITH TPU-18 & T-27P USE WITH TPU-1500H	-	27	125	-	-
BCU-150	1500 MCM 91 OR 127	-	-	1111 MCM 2750/24	-	-	-	-	-	-	2-1/8	GREEN	-	-	31	-	-	-		
BCU-200	2000 MCM 127 OR 169	-	-	-	-	-	-	-	-	-	2-3/8	BROWN	-	-	34	-	-	-		

\* NOT UL LISTED

TOOLING NOTES:

1. TPU-12 INCLUDES TPU-12B, TPU-12BH, TPU-12B42H, TPU-42B, TPU-12B42
2. TPU-18 INCLUDES TPU-18B, TPU-18BH
3. TPU-6 INCLUDES TPU-6FT, TPU-6FTH, TPU-6H, TPU-6FTB, TPU-6B
4. Y35 INCLUDES Y35, Y35-2, BAT35, BAT35C, Y35BH, Y35BH-4, Y35L, Y35L-1
5. Y39 INCLUDES Y39, Y39BH
6. Y750 INCLUDES Y750, Y750-2, BAT750, BAT750C, Y750BH, Y750BH-2
7. Y46 INCLUDES Y46, Y46C
8. Y48 INCLUDES Y48B, Y48BH
9. CONNECTORS ARE NOT UL/CSA FOR GROUNDING AND BONDING WHEN INSTALLED WITH THE ILSCO IVTB-6 OR RIGID RE-6 TOOLS

X		COPPER TUBING	
QTY.	PT.	NAME OR DESCRIPTION	
<b>STANDARD BARREL CRIMP SPLICE</b> for <b>COPPER CONDUCTORS</b>			
REF. DWG'S:		H:\2H05\BCU_SERIES_C	
 229 WATERFORD STREET EDINBORO, PA 16412 USA		DRAWN BY: QB	DATE: 8/3/2021
		CHK'D: NAK	FILE: 2H05
SCALE: 3:2	INTERPRET PER ASME Y14.5-2009	SIZE: B	DWG. NO. <b>BCU SERIES</b>
SEE TABLE		CAT. NO.	REV. -