

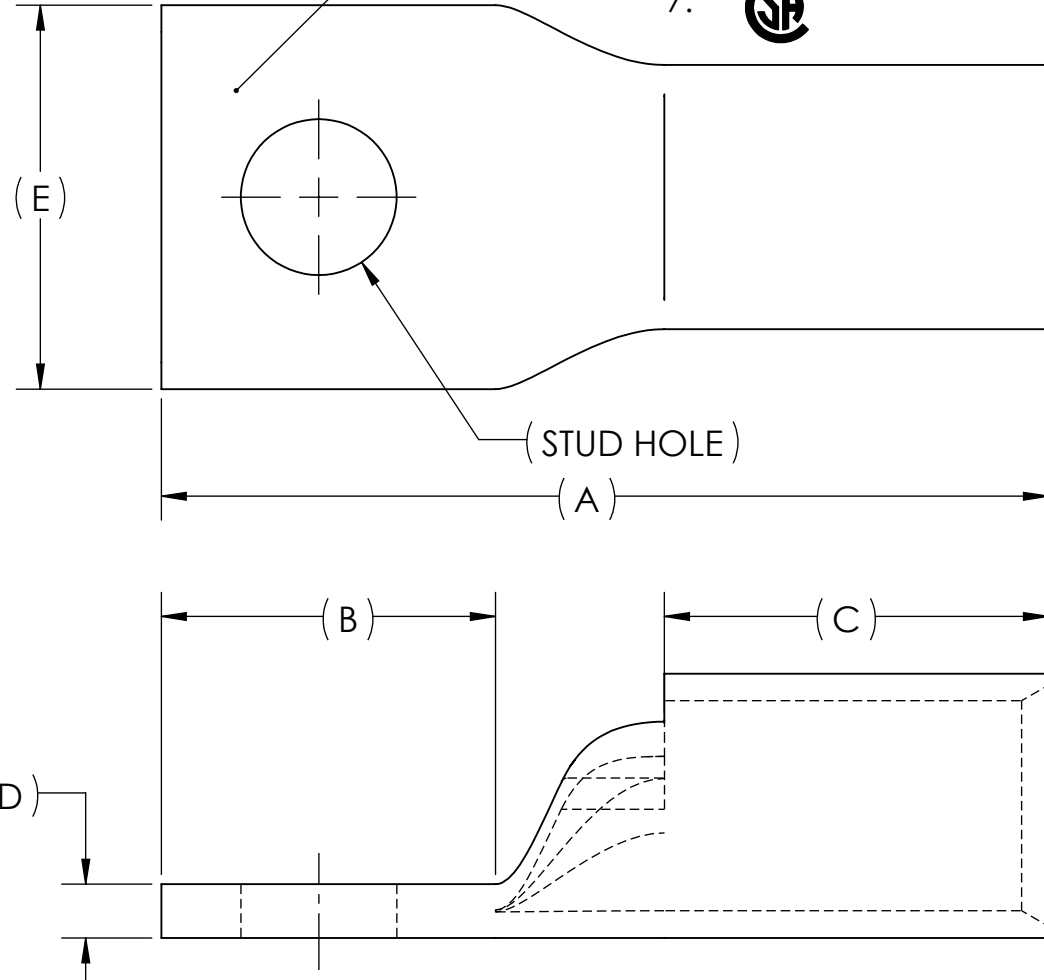


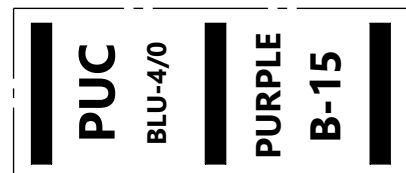
DWG. NO. **BLU-4/OS** REV. **-**

- METAL STAMP TO READ:
1. 4/0
 2. CU
 3. "SUFFIX"
 4. "STUD HOLE"
 5. DB
 6. 
 7. 

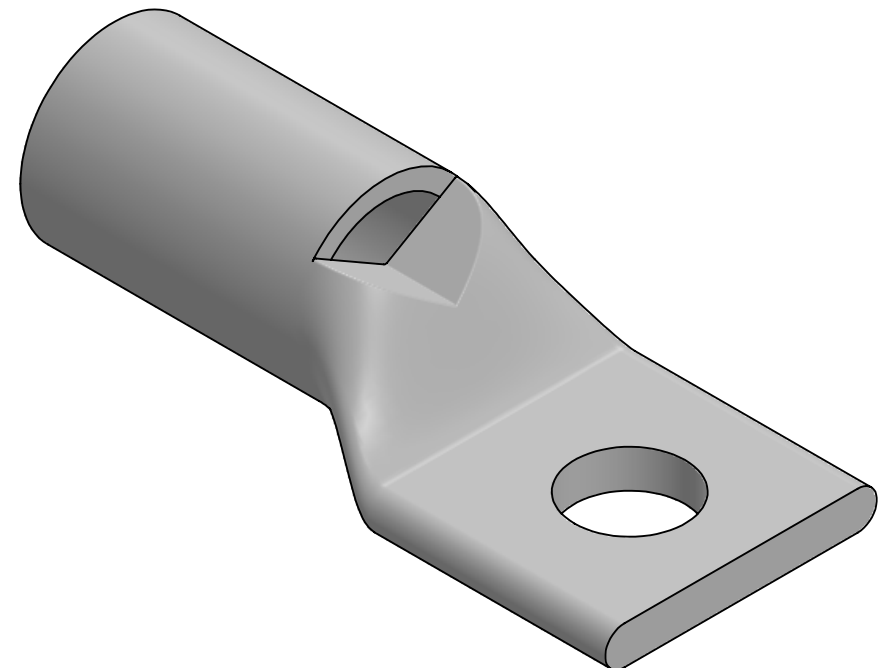
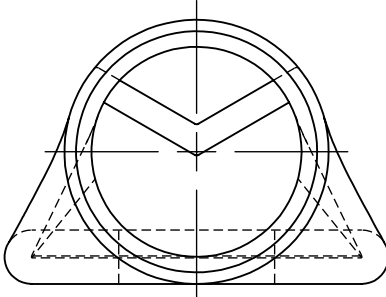
REV.	CAT. NO.	SUFFIX	STUD HOLE	DIMENSIONS					APPROX. WEIGHT (LB)	STRIP LENGTH
				A	B	C	D	E		
05	BLU-4/OS19	S19	1/4	2.22	.78	1.00	.14	1.00	0.093	1.13
06	BLU-4/OS25	S25	5/16	2.22	.78	1.00	.14	1.00	0.091	
10	BLU-4/OS	S	3/8	2.31	.87	1.00	.14	1.00	0.093	
09	BLU-4/OS1	S1	1/2	2.50	1.09	1.00	.14	1.00	0.098	



INK STAMP REFERENCE



USE BELOW OPTIONAL SUFFIXES FOR ALTERNATE LUG CONFIGURATIONS:
 -45 FOR 45° BENT PAD
 -90 FOR 90° BENT PAD
 -FL FOR FLARED BARREL ENTRY
 -U FOR UNDRILLED PAD
 EXAMPLE: BLU-4/OS19-FL



NOTES:

1. ALL DIMENSIONS IN INCHES UNLESS OTHERWISE SPECIFIED
2. SEE INSTALLATION SHEET FOR WIRE SIZE AND TOOLING RECOMMENDATIONS
3. TIN-PLATED TO INHIBIT CORROSION
4. RATED FOR COPPER CONDUCTORS ONLY
5. BEVELED ENTRY FOR EASY CABLE INSERTION
6. INSPECTION WINDOW TO ENSURE FULL CABLE INSERTION
7. CONNECTORS ARE SUITABLE FOR VOLTAGES UP TO 35 KV
8. FOR APPLICATIONS GREATER THAN 2000 VOLTS, CONSULT CABLE MANUFACTURER FOR VOLTAGE STRESS RELIEF INSTRUCTIONS
9. CONNECTORS ARE UL LISTED PER UL486A-B AND CSA CERTIFIED PER C22.2 NO.65 FOR POWER APPLICATIONS UP TO 90°C
10. CONNECTORS ARE UL LISTED FOR GROUNDING, BONDING, AND DIRECT BURIAL APPLICATIONS PER UL467
11. CONNECTORS ARE CSA CERTIFIED FOR GROUNDING, BONDING, AND DIRECT BURIAL APPLICATIONS PER C22.2 NO.41



NO.	ECN	DATE
REVISIONS		

QTY.	PT.	NAME OR DESCRIPTION
	X	COPPER TUBING
PENN-CRIMP LUG for 4/0 AWG COPPER CONDUCTORS		
REF. DWG'S: 2H03-31395, 2H03-31396, 2H03-47074, 2H03-48160		H:\2H03\BLU-4.0S
DRAWN BY: DT DATE: 2/22/2023 CHK'D: QJB		SCALE: 2:1 INTERPRET PER ASME Y14.5-2009 FILE: 2H03
SIZE: B	DWG. NO. BLU-4/OS	REV. -