


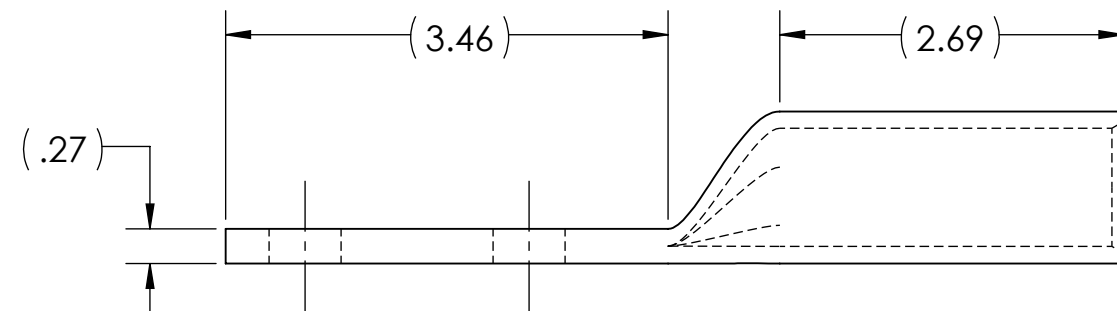
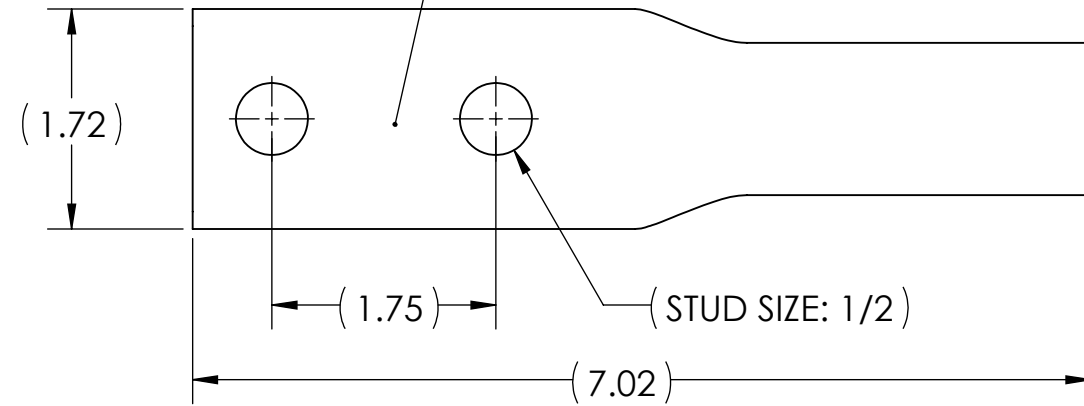
DWG. NO.

BBLB-060D

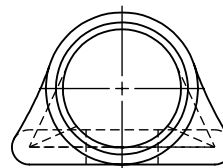
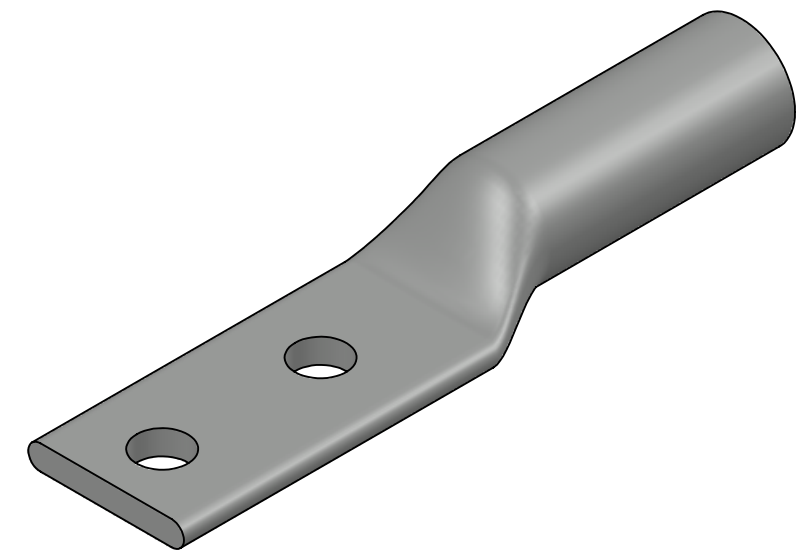
REV. -

METAL STAMP TO READ:

- 1. 600
- 2. CU
- 3. D
- 4. 12
- 5. 



INK STAMP REFERENCE



NOTES:

1. ALL DIMENSIONS IN INCHES UNLESS OTHERWISE SPECIFIED
2. SEE INSTALLATION SHEET FOR WIRE SIZE AND TOOLING RECOMMENDATIONS
3. TIN-PLATED TO INHIBIT CORROSION
4. RATED FOR COPPER CONDUCTORS ONLY
5. BEVELED ENTRY FOR EASY CABLE INSERTION
6. CONNECTORS ARE SUITABLE FOR VOLTAGES UP TO 35 KV
7. FOR APPLICATIONS GREATER THAN 2000 VOLTS, CONSULT CABLE MANUFACTURER FOR VOLTAGE STRESS RELIEF INSTRUCTIONS
8. CONNECTORS ARE UL LISTED PER UL486A-B FOR POWER APPLICATIONS UP TO 90°C
9. CONNECTORS ARE DESIGNED FOR USE WITH CORRESPONDING BBLB SERIES LUGS
10. APPROXIMATE WEIGHT: 0.960 LBS



NO.	ECN	DATE
REVISIONS		

		X			COPPER TUBING
		QTY.		PT.	NAME OR DESCRIPTION
					BOTTOM STACKING LUG for 600 MCM COPPER CONDUCTORS
					REF. DWG'S: 2H52-56438 H:\2H52\BBLB-060D
					DRAWN BY: DT DATE: 8/8/2023 CHK'D: QJB SCALE: 2:3 INTERPRET PER ASME Y14.5-2009 FILE: 2H52
					SIZE: B DWG. NO.: BBLB-060D REV. -
					BBLB-060D CAT. NO. PENNUNION™ 229 WATERFORD STREET EDINBORO, PA 16412 USA