
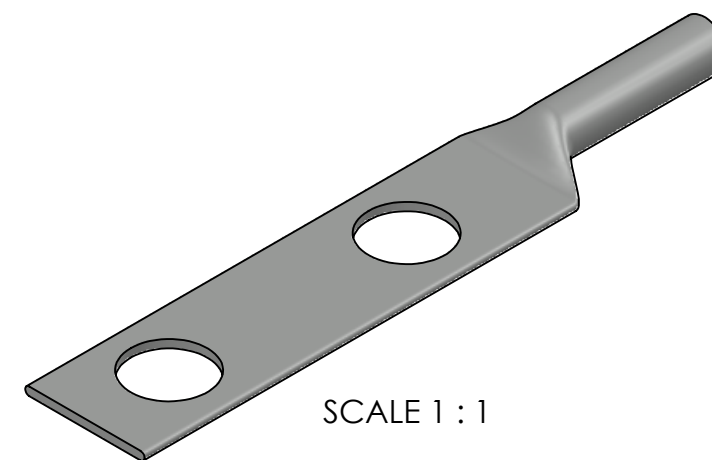
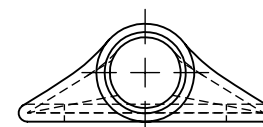
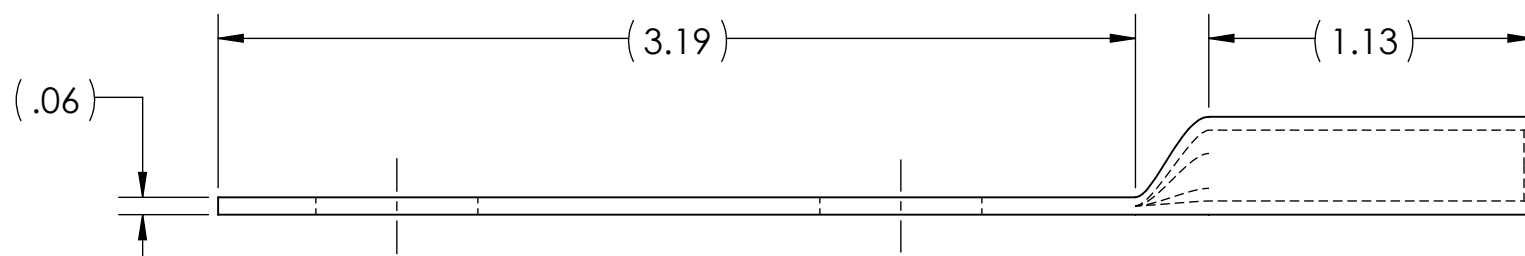
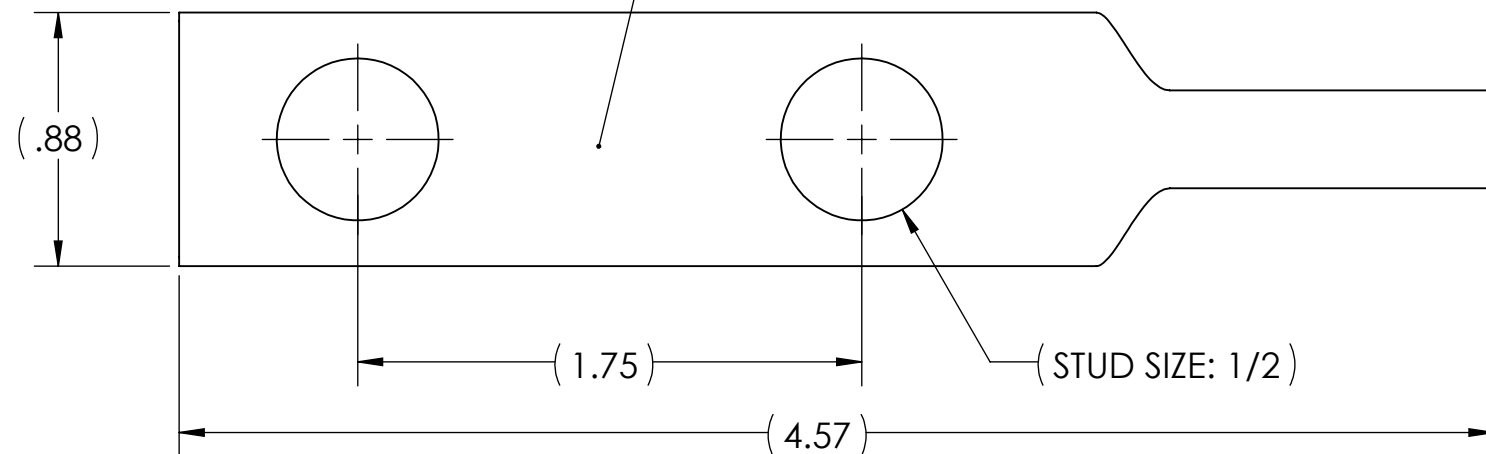


METAL STAMP TO READ:

1. 4
2. CU
3. D
4. 12
5. DB
6. 

INK STAMP REFERENCE



NOTES:

1. ALL DIMENSIONS IN INCHES UNLESS OTHERWISE SPECIFIED
2. SEE INSTALLATION SHEET FOR WIRE SIZE AND TOOLING RECOMMENDATIONS
3. TIN-PLATED TO INHIBIT CORROSION
4. RATED FOR COPPER CONDUCTORS ONLY
5. BEVELED ENTRY FOR EASY CABLE INSERTION
6. CONNECTORS ARE SUITABLE FOR VOLTAGES UP TO 35 KV
7. FOR APPLICATIONS GREATER THAN 2000 VOLTS, CONSULT CABLE MANUFACTURER FOR VOLTAGE STRESS RELIEF INSTRUCTIONS
8. CONNECTORS ARE UL LISTED PER UL486A-B FOR POWER APPLICATIONS UP TO 90°C
9. CONNECTORS ARE UL LISTED FOR GROUNDING, BONDING, AND DIRECT BURIAL APPLICATIONS PER UL467
10. CONNECTORS ARE DESIGNED FOR USE WITH CORRESPONDING BBLB SERIES LUGS
11. APPROXIMATE WEIGHT: 0.063 LB



NO.	ECN	DATE
REVISIONS		

			X				COPPER TUBING			
					QTY.	PT.	NAME OR DESCRIPTION			
							BOTTOM STACKING LUG for 4 AWG COPPER CONDUCTORS			
							REF. DWG'S: 2H52-56426		H:\2H52\BBLB-4D	
							DRAWN BY: DT		DATE: 8/3/2023	CHK'D: <i>QJB</i>
							SCALE: 3:2		INTERPRET PER ASME Y14.5-2009	FILE: 2H52
							SIZE: B			
							DWG. NO:	<b>BBLB-4D</b>		REV. -