
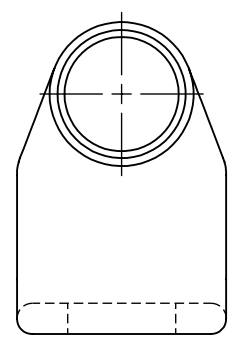
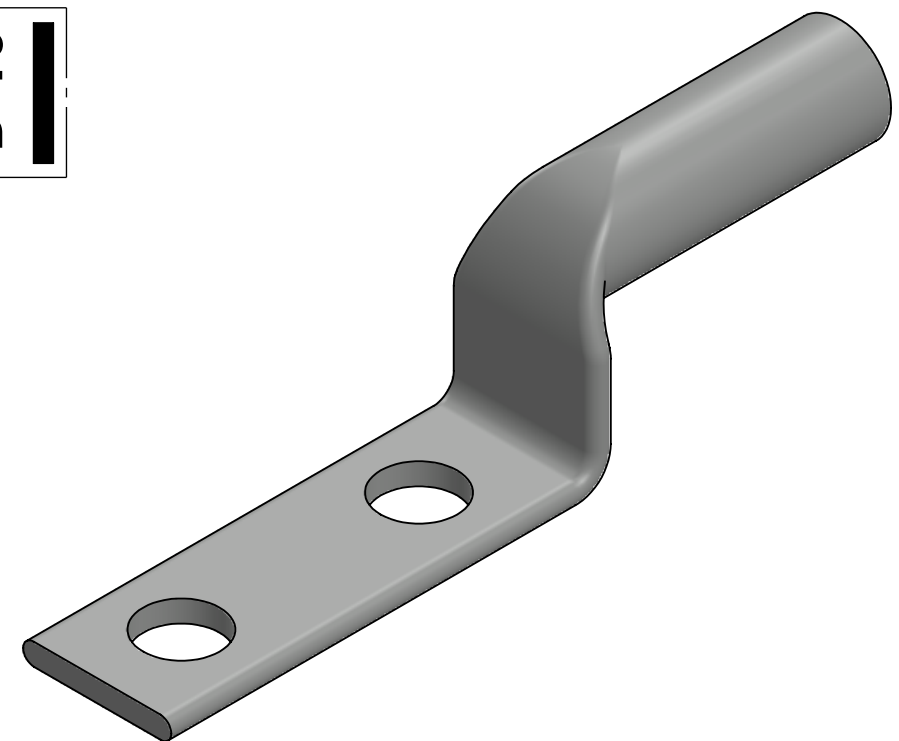
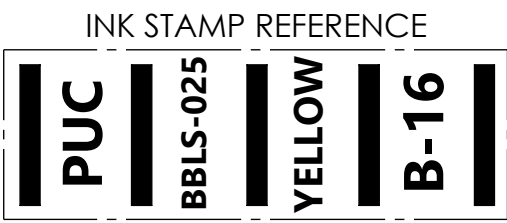
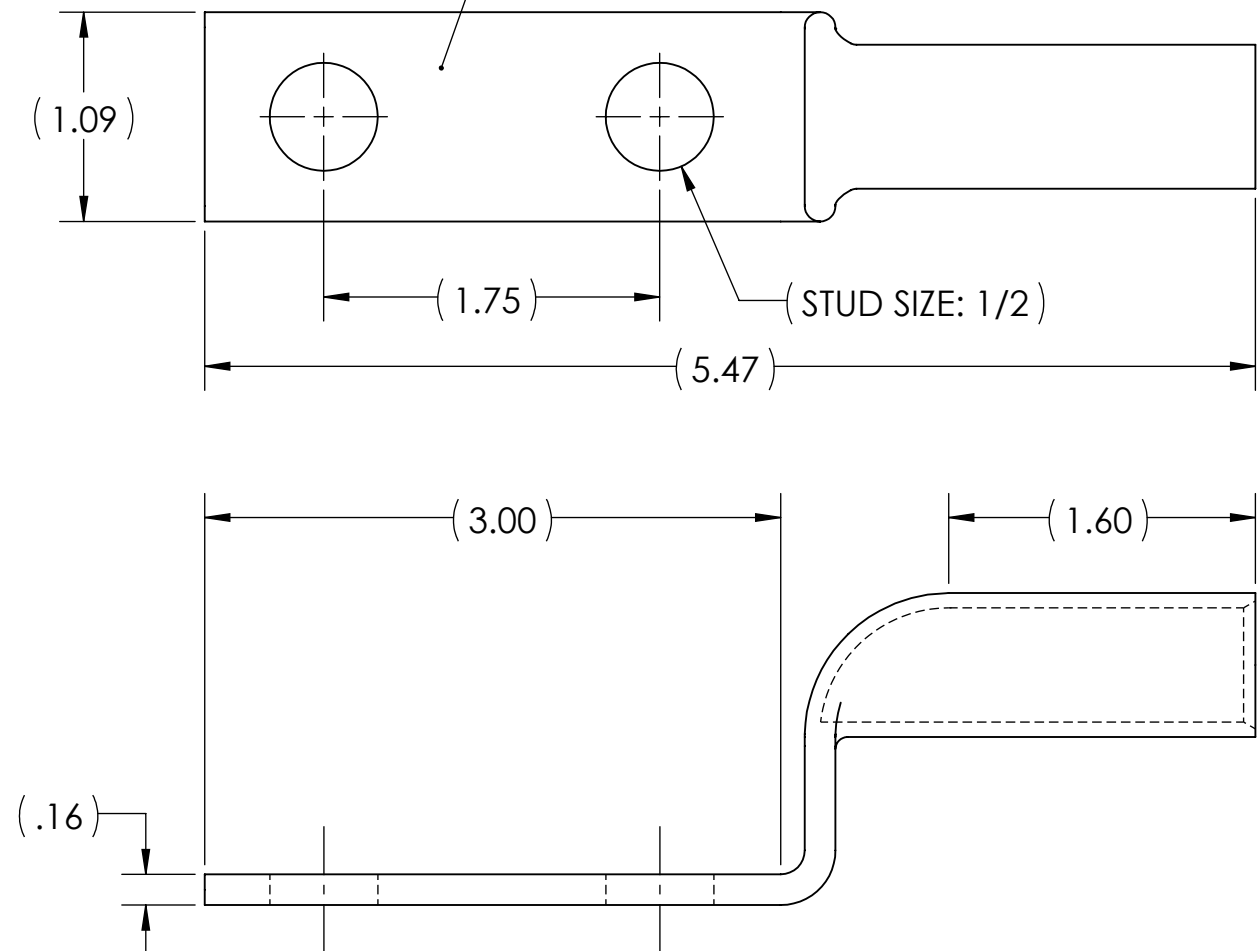


METAL STAMP TO READ:


- 1. 250
- 2. CU
- 3. D
- 4. 12
- 5. DB
- 6. 



- NOTES:
1. ALL DIMENSIONS IN INCHES UNLESS OTHERWISE SPECIFIED
 2. SEE INSTALLATION SHEET FOR WIRE SIZE AND TOOLING RECOMMENDATIONS
 3. TIN-PLATED TO INHIBIT CORROSION
 4. RATED FOR COPPER CONDUCTORS ONLY
 5. BEVELED ENTRY FOR EASY CABLE INSERTION
 6. CONNECTORS ARE SUITABLE FOR VOLTAGES UP TO 35 KV
 7. FOR APPLICATIONS GREATER THAN 2000 VOLTS, CONSULT CABLE MANUFACTURER FOR VOLTAGE STRESS RELIEF INSTRUCTIONS
 8. CONNECTORS ARE UL LISTED PER UL486A-B FOR POWER APPLICATIONS UP TO 90°C
 9. CONNECTORS ARE UL LISTED FOR GROUNDING, BONDING, AND DIRECT BURIAL APPLICATIONS PER UL467
 10. CONNECTORS ARE DESIGNED FOR USE WITH CORRESPONDING BBLS SERIES LUGS
 11. APPROXIMATE WEIGHT: 0.317 LBS



NO.	ECN	DATE
REVISIONS		

				X	COPPER TUBING				
					QTY.	PT.	NAME OR DESCRIPTION		
							STACKING LUG for 250 MCM COPPER CONDUCTORS		
					REF. DWG'S: 2H51-56417			H:\2H51\BBLS-025D	
					DRAWN BY: DT		DATE: 8/9/2023	CHK'D: QJB	
					SCALE: 1:1		INTERPRET PER ASME Y14.5-2009		FILE: 2H51
					SIZE: B				
					DWG. NO.	BBLS-025D			REV. -
					 229 WATERFORD STREET EDINBORO, PA 16412 USA				