
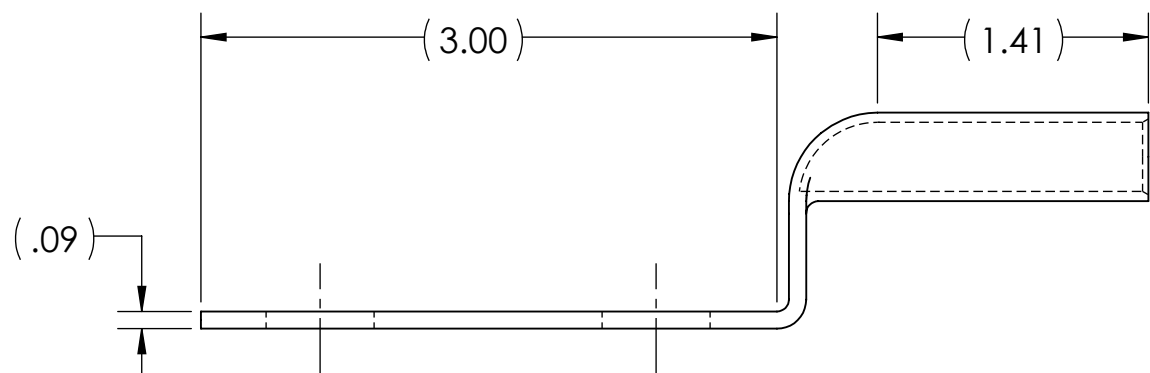
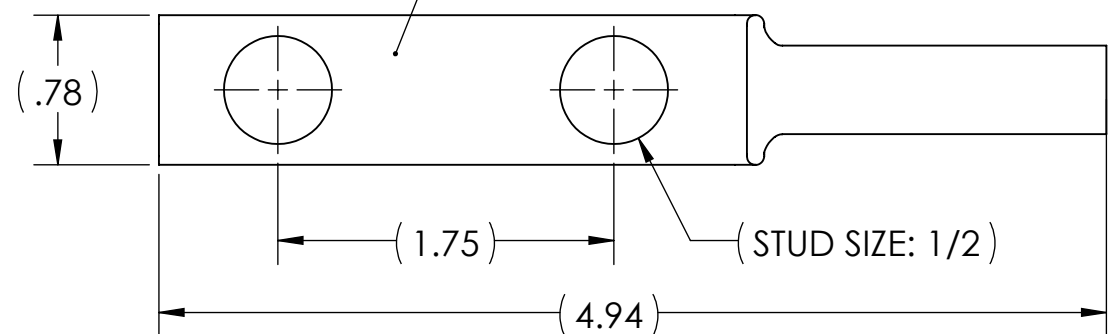
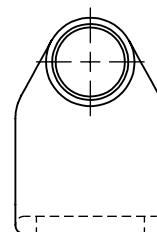
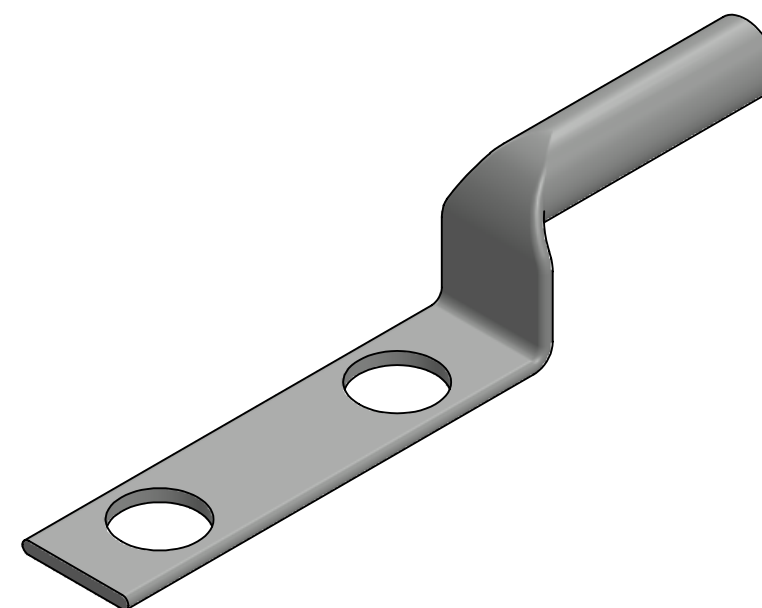


METAL STAMP TO READ:

1. 1
2. CU
3. D
4. 12
5. DB
6. 



INK STAMP REFERENCE



NOTES:

1. ALL DIMENSIONS IN INCHES UNLESS OTHERWISE SPECIFIED
2. SEE INSTALLATION SHEET FOR WIRE SIZE AND TOOLING RECOMMENDATIONS
3. TIN-PLATED TO INHIBIT CORROSION
4. RATED FOR COPPER CONDUCTORS ONLY
5. BEVELED ENTRY FOR EASY CABLE INSERTION
6. CONNECTORS ARE SUITABLE FOR VOLTAGES UP TO 35 KV
7. FOR APPLICATIONS GREATER THAN 2000 VOLTS, CONSULT CABLE MANUFACTURER FOR VOLTAGE STRESS RELIEF INSTRUCTIONS
8. CONNECTORS ARE UL LISTED PER UL486A-B FOR POWER APPLICATIONS UP TO 90°C
9. CONNECTORS ARE UL LISTED FOR GROUNDING, BONDING, AND DIRECT BURIAL APPLICATIONS PER UL467
10. CONNECTORS ARE DESIGNED FOR USE WITH CORRESPONDING BBLS SERIES LUGS
11. APPROXIMATE WEIGHT: 0.108 LBS



NO.	ECN	DATE
REVISIONS		

QTY.	PT.	NAME OR DESCRIPTION
	X	COPPER TUBING
		STACKING LUG for 1 AWG COPPER CONDUCTORS
REF. DWG'S: 2H51-56412		H:\2H51\BBLS-1D
DRAWN BY: DT		DATE: 8/3/2023
SCALE: 1:1		CHK'D: QJB
SIZE: B		INTERPRET PER ASME Y14.5-2009
FILE: 2H51		DWG. NO. BBLS-1D
REV. -		

**PENNUNION™**  
229 WATERFORD STREET  
EDINBORO, PA 16412 USA