

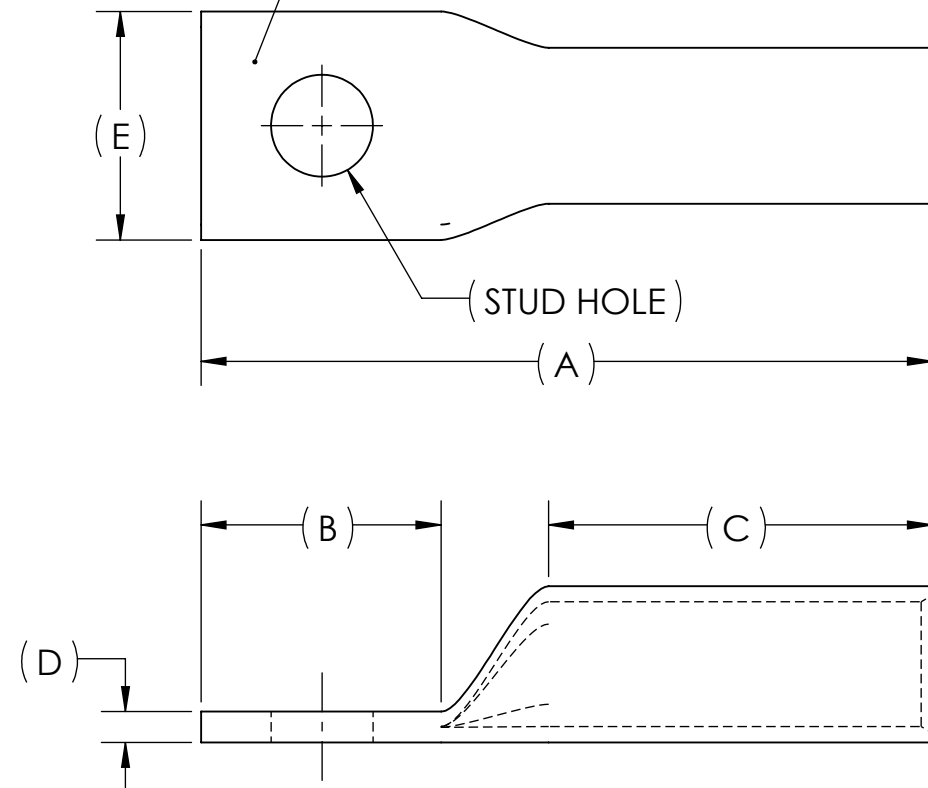
DWG. NO. **BBLU-030S** REV. **-**

REV.	CAT. NO.	SUFFIX	STUD HOLE	DIMENSIONS					APPROX. WEIGHT (LB)	STRIP LENGTH
				A	B	C	D	E		
10	BBLU-030S	S	1/2	3.81	1.25	2.00	.16	1.19	0.215	2.13

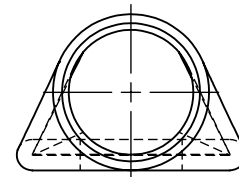
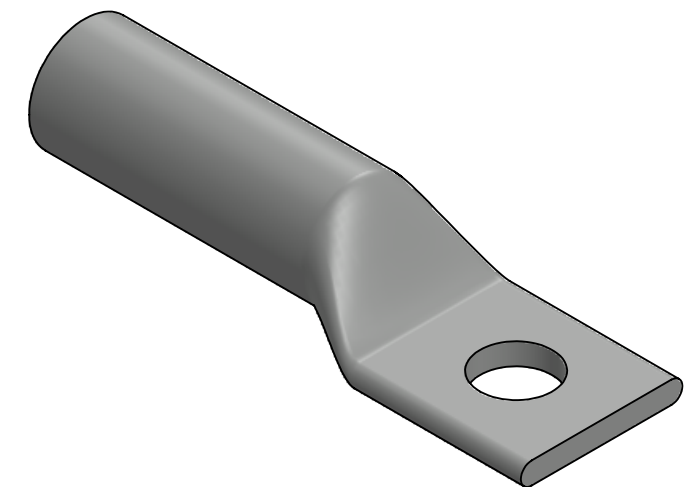
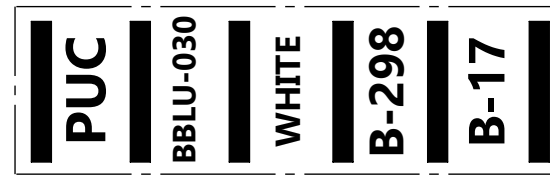
METAL STAMP TO READ:

1. 300
2. CU
3. "SUFFIX"
4. "STUD HOLE"
5. DB
6. 
7. 

USE BELOW OPTIONAL SUFFIXES FOR ALTERNATE LUG CONFIGURATIONS:  
 -45 FOR 45° BENT PAD  
 -90 FOR 90° BENT PAD  
 -FL FOR FLARED BARREL ENTRY  
 -U FOR UNDRILLED PAD  
 EXAMPLE: BBLU-030S-FL



INK STAMP REFERENCE




NOTES:

1. ALL DIMENSIONS IN INCHES UNLESS OTHERWISE SPECIFIED
2. SEE INSTALLATION SHEET FOR WIRE SIZE AND TOOLING RECOMMENDATIONS
3. TIN-PLATED TO INHIBIT CORROSION
4. RATED FOR COPPER CONDUCTORS ONLY
5. BEVELED ENTRY FOR EASY CABLE INSERTION
6. CONNECTORS ARE SUITABLE FOR VOLTAGES UP TO 35 KV
7. FOR APPLICATIONS GREATER THAN 2000 VOLTS, CONSULT CABLE MANUFACTURER FOR VOLTAGE STRESS RELIEF INSTRUCTIONS
8. CONNECTORS ARE UL LISTED PER UL486A-B AND CSA CERTIFIED PER C22.2 NO.65 FOR POWER APPLICATIONS UP TO 90°C
9. CONNECTORS ARE UL LISTED FOR GROUNDING, BONDING, AND DIRECT BURIAL APPLICATIONS PER UL467



NO.	ECN	DATE
REVISIONS		

		X		COPPER TUBING			
QTY.		PT.		NAME OR DESCRIPTION			
				PENN-CRIMP LUG			
				for			
				300 MCM COPPER CONDUCTORS			
REF. DWG'S: 2H08-32739				H:\2H08\BBLU-030S			
		DRAWN BY: DT		DATE: 2/22/2023		CHK'D: QJB	
		SCALE: 1:1		INTERPRET PER ASME Y14.5-2009		FILE: 2H08	
		SIZE: B		DWG. NO. <b>BBLU-030S</b>		REV. <b>-</b>	
		SEE TABLE					
		CAT. NO.		229 WATERFORD STREET EDINBORO, PA 16412 USA			