

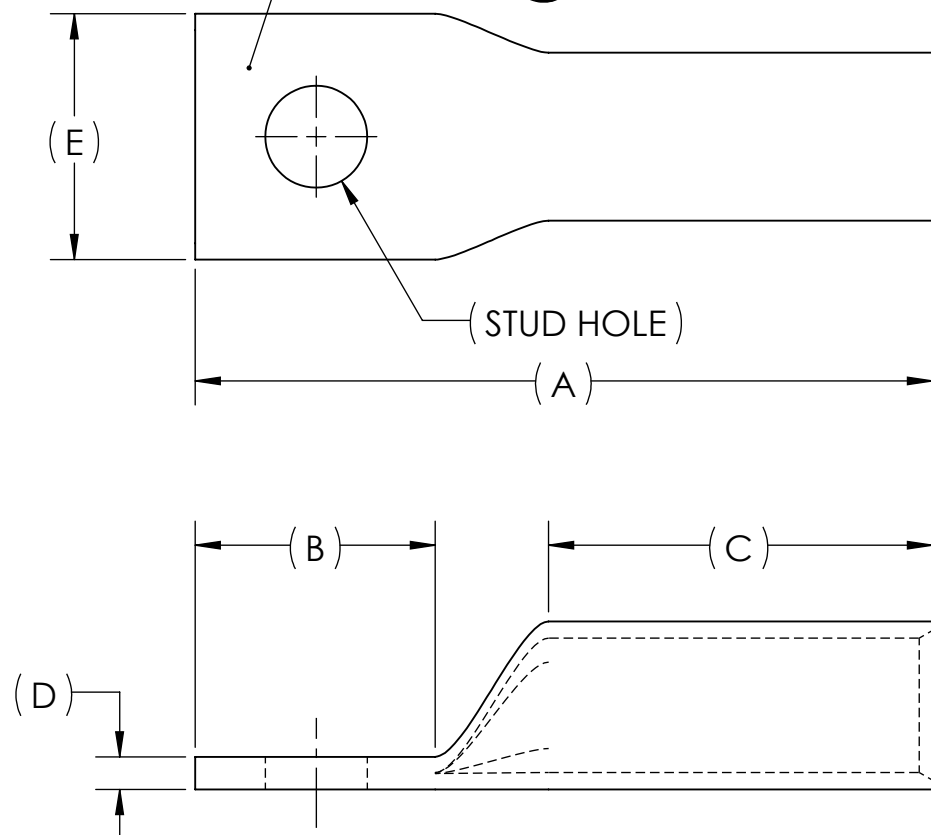
DWG. NO. **BBLU-035S** REV. -

| REV. | CAT. NO.  | SUFFIX | STUD HOLE | DIMENSIONS |      |      |     |      | APPROX. WEIGHT (LB) | STRIP LENGTH |
|------|-----------|--------|-----------|------------|------|------|-----|------|---------------------|--------------|
|      |           |        |           | A          | B    | C    | D   | E    |                     |              |
| 12   | BBLU-035S | S      | 1/2       | 3.84       | 1.25 | 2.00 | .17 | 1.28 | 0.251               | 2.13         |

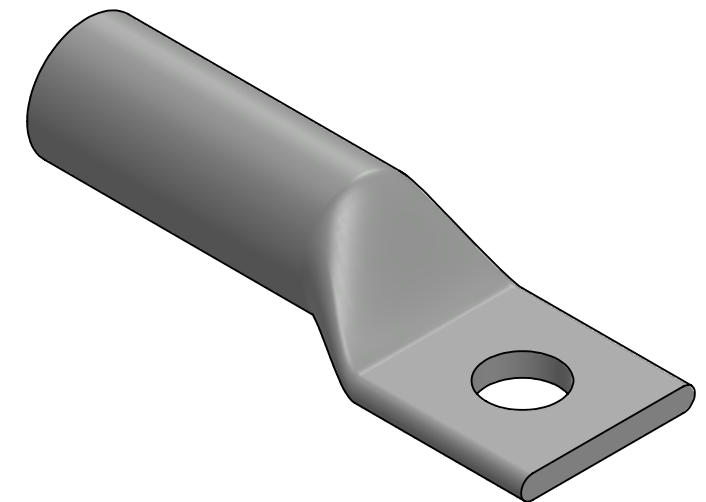
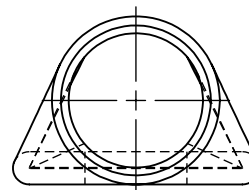
METAL STAMP TO READ:

1. 350
2. CU
3. "SUFFIX"
4. "STUD HOLE"
5. DB
6. 
7. 

USE BELOW OPTIONAL SUFFIXES FOR ALTERNATE LUG CONFIGURATIONS:  
 -45 FOR 45° BENT PAD  
 -90 FOR 90° BENT PAD  
 -FL FOR FLARED BARREL ENTRY  
 -U FOR UNDRILLED PAD  
 EXAMPLE: BBLU-035S-FL



INK STAMP REFERENCE



NOTES:

1. ALL DIMENSIONS IN INCHES UNLESS OTHERWISE SPECIFIED
2. SEE INSTALLATION SHEET FOR WIRE SIZE AND TOOLING RECOMMENDATIONS
3. TIN-PLATED TO INHIBIT CORROSION
4. RATED FOR COPPER CONDUCTORS ONLY
5. BEVELED ENTRY FOR EASY CABLE INSERTION
6. CONNECTORS ARE SUITABLE FOR VOLTAGES UP TO 35 KV
7. FOR APPLICATIONS GREATER THAN 2000 VOLTS, CONSULT CABLE MANUFACTURER FOR VOLTAGE STRESS RELIEF INSTRUCTIONS
8. CONNECTORS ARE UL LISTED PER UL486A-B AND CSA CERTIFIED PER C22.2 NO.65 FOR POWER APPLICATIONS UP TO 90°C
9. CONNECTORS ARE UL LISTED FOR GROUNDING, BONDING, AND DIRECT BURIAL APPLICATIONS PER UL467



| NO.       | ECN | DATE |
|-----------|-----|------|
| REVISIONS |     |      |

| QTY.                      | PT. | NAME OR DESCRIPTION                                |
|---------------------------|-----|--|
|                           | X   | COPPER TUBING                                      |
|                           |     | PENN-CRIMP LUG<br>for<br>350 MCM COPPER CONDUCTORS |
| REF. DWG'S: 2H08-32740    |     | H:\2H08\BBLU-035S                                  |
| DRAWN BY: DT              |     | DATE: 2/22/2023                                    |
| SCALE: 1:1                |     | INTERPRET PER ASME Y14.5-2009                      |
| SIZE: B                   |     | FILE: 2H08   |
| DWG. NO. <b>BBLU-035S</b> |     | REV. -   |

**PENNUNION**  
 229 WATERFORD STREET  
 EDINBORO, PA 16412 USA