


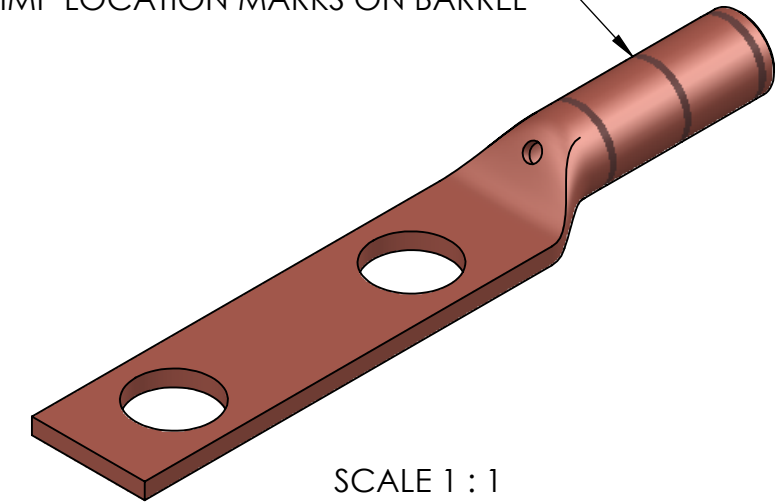
DWG. NO. **BBLU-1/0D-GND** REV. **-**

REV.	CAT. NO.	STUD HOLE	DIMENSIONS						APPROX. WEIGHT (LB)	STRIP LENGTH
			A	B	C	D	E	F		
01	BBLU-1/0D-GND	1/2	4.81	3.00	1.35	.12	.83	1.75	0.129	1.44

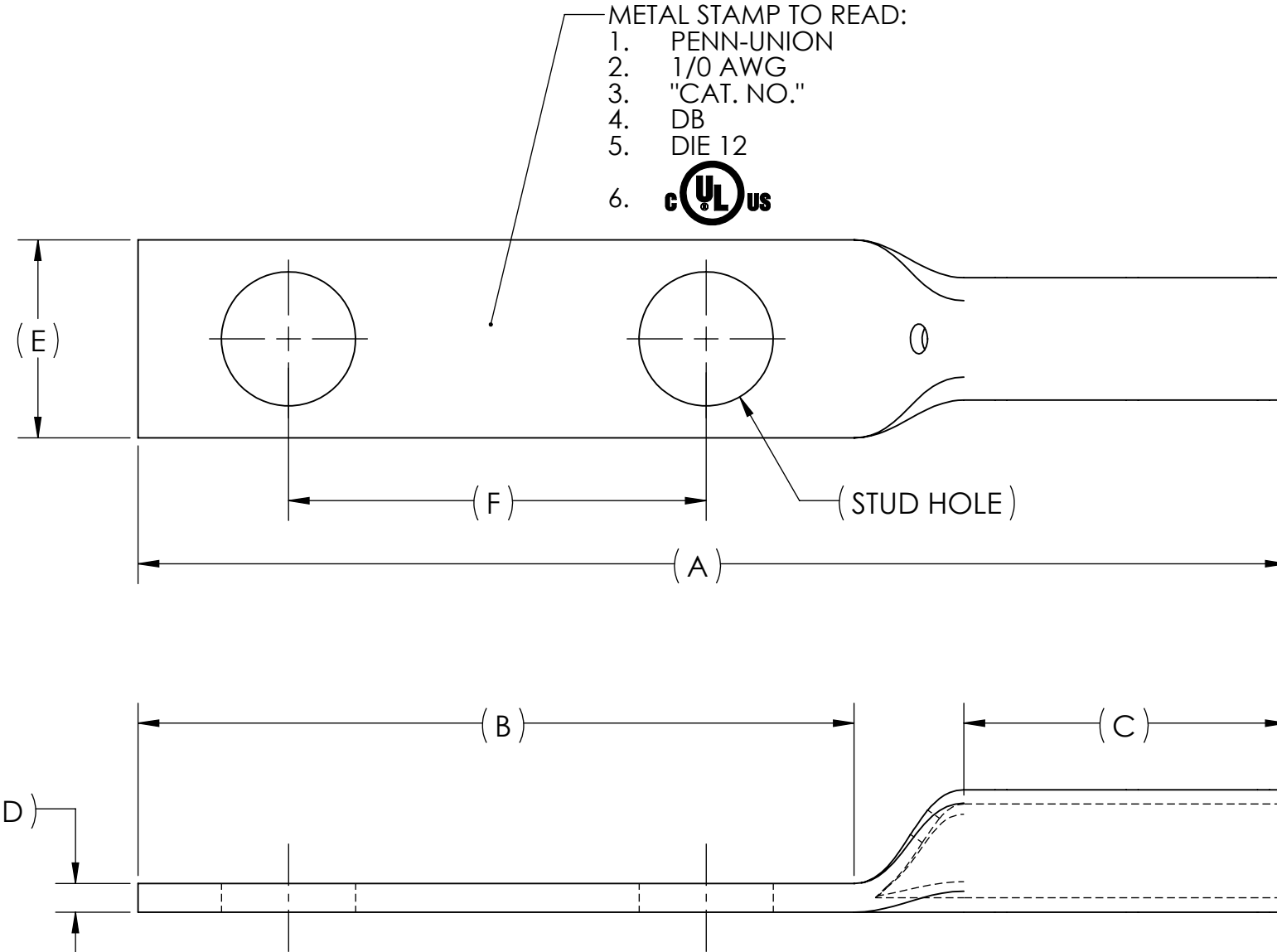
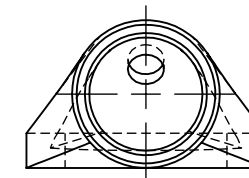
METAL STAMP TO READ:

1. PENN-UNION
2. 1/0 AWG
3. "CAT. NO."
4. DB
5. DIE 12
6. 

CRIMP LOCATION MARKS ON BARREL



SCALE 1 : 1



NOTES:

1. ALL DIMENSIONS IN INCHES UNLESS OTHERWISE SPECIFIED
2. SEE INSTALLATION SHEET FOR WIRE SIZE AND TOOLING RECOMMENDATIONS
3. RATED FOR COPPER CONDUCTORS ONLY
4. BEVELED ENTRY FOR EASY CABLE INSERTION
5. INSPECTION WINDOW TO ENSURE FULL CABLE INSERTION
6. PREFILLED WITH COPPER-BASED OXIDE INHIBITOR AND CAPPED TO PREVENT FOREIGN MATERIALS FROM ENTERING AND CONTAMINATING CONNECTORS PRIOR TO USE
7. CONNECTORS ARE SUITABLE FOR VOLTAGES UP TO 35 KV
8. FOR APPLICATIONS GREATER THAN 2000 VOLTS, CONSULT CABLE MANUFACTURER FOR VOLTAGE STRESS RELIEF INSTRUCTIONS
9. CONNECTORS ARE cULus LISTED PER UL486A-B FOR POWER APPLICATIONS UP TO 90°C
10. CONNECTORS ARE UL LISTED FOR GROUNDING, BONDING, AND DIRECT BURIAL APPLICATIONS PER UL467

NO.	ECN	DATE
REVISIONS		

QTY.	PT.	NAME OR DESCRIPTION
	X	COPPER TUBING
		COMPRESSION GROUNDING LUG for 1/0 STR. COPPER CONDUCTORS
REF. DWG'S: 5H08-96694		H:\5H08\BBLU-1.0D-GND
DRAWN BY: DT		DATE: 8/17/2023
SCALE: 3:2		INTERPRET PER ASME Y14.5-2009
SIZE: B		FILE: 5H08
DWG. NO. BBLU-1/0D-GND		REV. -

PENNUNION
229 WATERFORD STREET
EDINBORO, PA 16412 USA