

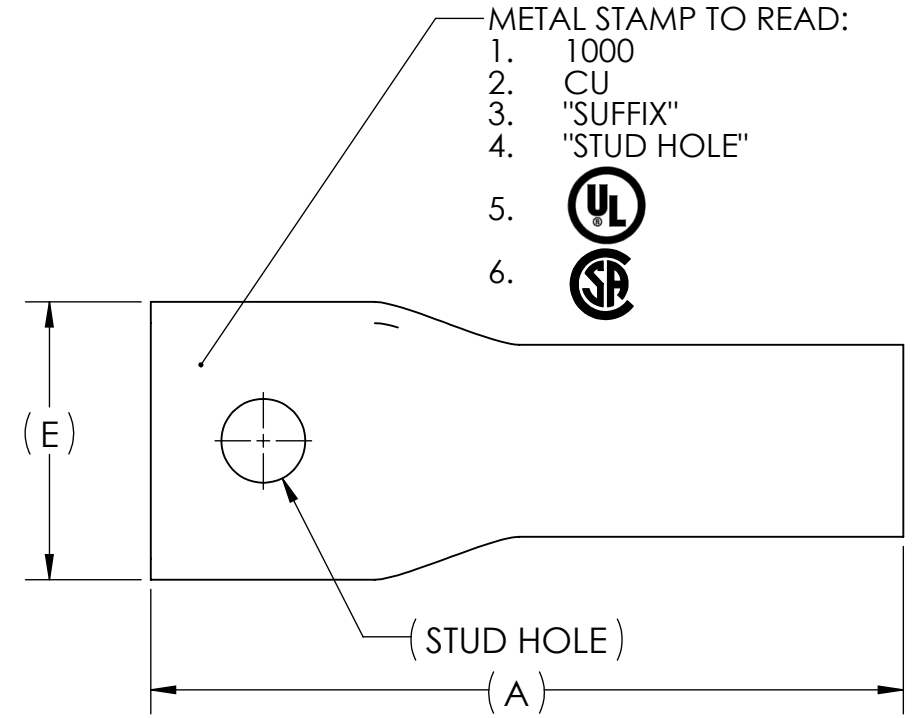
DWG. NO. **BBLU-100S** REV. -

REV.	CAT. NO.	SUFFIX	STUD HOLE	DIMENSIONS					APPROX. WEIGHT (LB)	STRIP LENGTH
				A	B	C	D	E		
08	BBLU-100S	S	5/8	5.88	1.75	3.00	.33	2.17	1.259	3.13

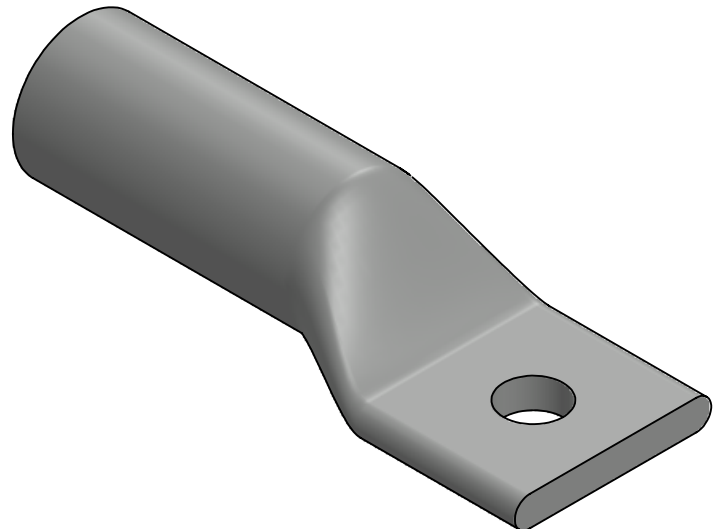
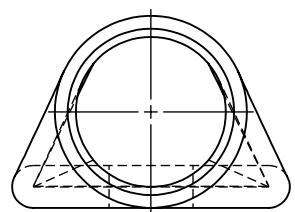
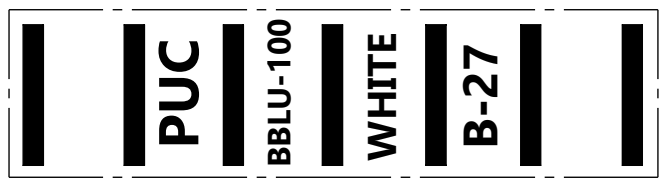
METAL STAMP TO READ:

1. 1000
2. CU
3. "SUFFIX"
4. "STUD HOLE"
5. 
6. 

USE BELOW OPTIONAL SUFFIXES FOR ALTERNATE LUG CONFIGURATIONS:  
 -45 FOR 45° BENT PAD  
 -90 FOR 90° BENT PAD  
 -FL FOR FLARED BARREL ENTRY  
 -U FOR UNDRILLED PAD  
 EXAMPLE: BBLU-100S-FL



INK STAMP REFERENCE



NOTES:

1. ALL DIMENSIONS IN INCHES UNLESS OTHERWISE SPECIFIED
2. SEE INSTALLATION SHEET FOR WIRE SIZE AND TOOLING RECOMMENDATIONS
3. TIN-PLATED TO INHIBIT CORROSION
4. RATED FOR COPPER CONDUCTORS ONLY
5. BEVELED ENTRY FOR EASY CABLE INSERTION
6. CONNECTORS ARE SUITABLE FOR VOLTAGES UP TO 35 KV
7. FOR APPLICATIONS GREATER THAN 2000 VOLTS, CONSULT CABLE MANUFACTURER FOR VOLTAGE STRESS RELIEF INSTRUCTIONS
8. CONNECTORS ARE UL LISTED PER UL486A-B AND CSA CERTIFIED PER C22.2 NO.65 FOR POWER APPLICATIONS UP TO 90°C



NO.	ECN	DATE
REVISIONS		

		X		COPPER TUBING	
QTY.	PT.	NAME OR DESCRIPTION			
		PENN-CRIMP LUG			
		for			
		1000 MCM COPPER CONDUCTORS			
		REF. DWG'S: 2H08-32744		H:\2H08\BBLU-100S	
		DRAWN BY: DT		DATE: 2/22/2023	CHK'D: QJB
		SCALE: 2:3	INTERPRET PER ASME Y14.5-2009		FILE: 2H08
		SIZE: B	DWG. NO. BBLU-100S	REV. -	
SEE TABLE		CAT. NO.	PENNUNION™	229 WATERFORD STREET	EDINBORO, PA 16412 USA