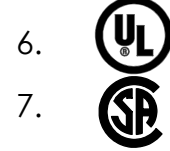


| | | | | | | | | | | | | | | | | | |
|-------------|---------|---------|-------|-------------|----------------|----------|----------|-----------|------------|------|------|------|------|---------------------------|-----------------|------|-------|
| DWG. NO. | BBLU-3S | | REV. | | REV. | CAT. NO. | SUFFIX | STUD HOLE | DIMENSIONS | | | | | APPROX. WEIGHT (LB) | STRIP LENGTH | | |
| | | | - | | | | | | A | B | C | D | E | | | | |
| | | | | | | | | | | | | | | | | | |
| | | 1. 3 | 2. CU | 3. "SUFFIX" | 4. "STUD HOLE" | 02 | BBLU-3S3 | S3 | 1/4 | 2.16 | .75 | 1.13 | .11 | .53 | 0.033 | 1.25 | |
| | | 5. DB | | | | | 03 | BBLU-3S1 | S1 | 5/16 | 2.16 | .75 | 1.13 | .09 | .53 | | 0.030 |
| | | 6. [UL] | | | | | 05 | BBLU-3S* | S | 1/2 | 2.53 | 1.13 | 1.13 | .10 | .92 | | 0.049 |

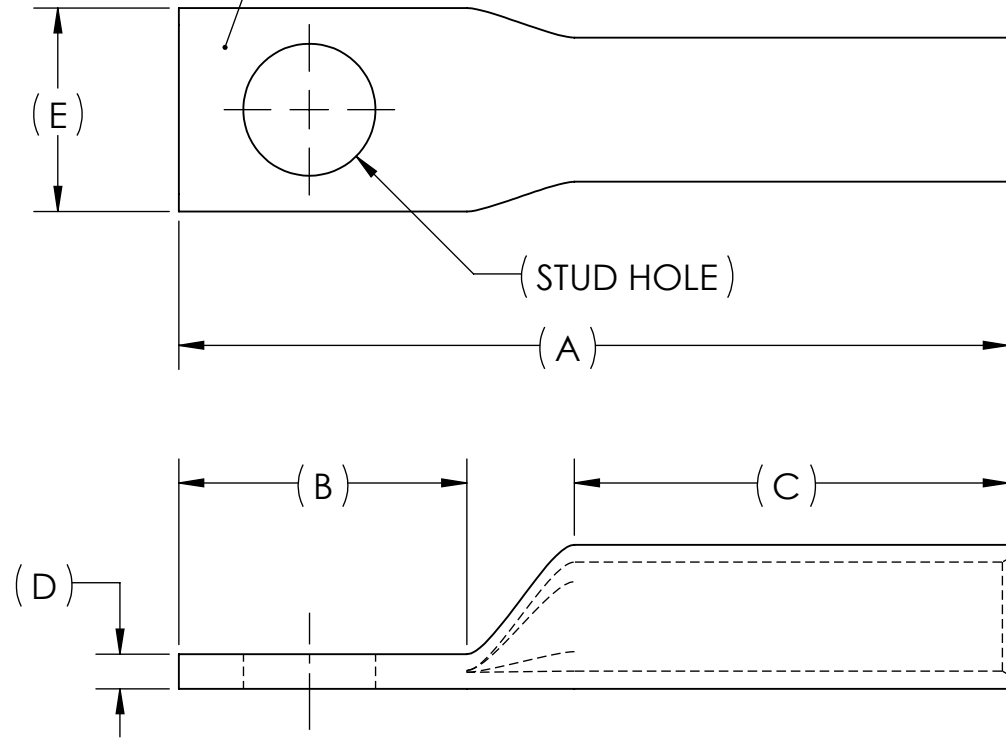
METAL STAMP TO READ:

1. 3
 2. CU
 3. "SUFFIX"
 4. "STUD HOLE"
 5. DB
- BBLU-3S3 AND BBLU-3S1 ONLY

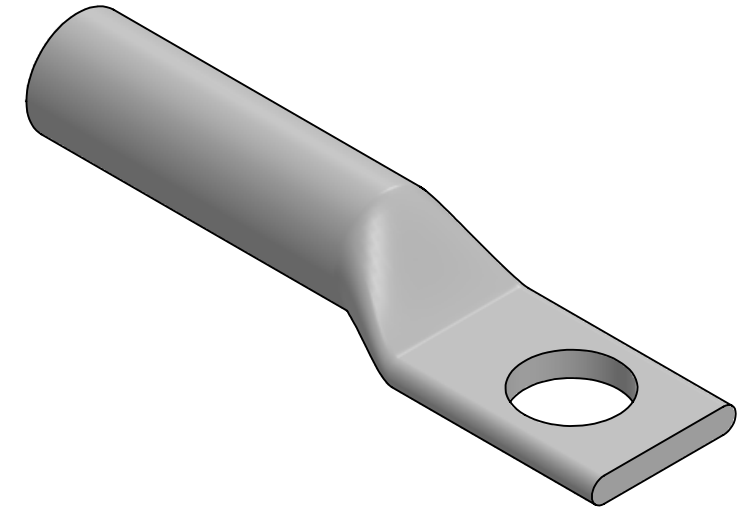
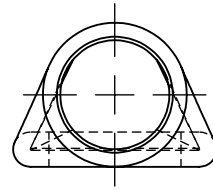


*NOT UL LISTED OR CSA CERTIFIED

USE BELOW OPTIONAL SUFFIXES FOR ALTERNATE LUG CONFIGURATIONS:
-45 FOR 45° BENT PAD
-90 FOR 90° BENT PAD
-FL FOR FLARED BARREL ENTRY
-U FOR UNDRILLED PAD
EXAMPLE: BBLU-3S3-FL



INK STAMP REFERENCE



NOTES:

1. ALL DIMENSIONS IN INCHES UNLESS OTHERWISE SPECIFIED
2. SEE INSTALLATION SHEET FOR WIRE SIZE AND TOOLING RECOMMENDATIONS
3. TIN-PLATED TO INHIBIT CORROSION
4. RATED FOR COPPER CONDUCTORS ONLY
5. BEVELED ENTRY FOR EASY CABLE INSERTION
6. CONNECTORS ARE SUITABLE FOR VOLTAGES UP TO 35 KV
7. FOR APPLICATIONS GREATER THAN 2000 VOLTS, CONSULT CABLE MANUFACTURER FOR VOLTAGE STRESS RELIEF INSTRUCTIONS
8. CONNECTORS ARE UL LISTED PER UL486A-B AND CSA CERTIFIED PER C22.2 NO.65 FOR POWER APPLICATIONS UP TO 90°C
9. CONNECTORS ARE UL LISTED FOR GROUNDING, BONDING, AND DIRECT BURIAL APPLICATIONS PER UL467
10. CONNECTORS ARE CSA CERTIFIED FOR GROUNDING, BONDING, AND DIRECT BURIAL APPLICATIONS PER C22.2 NO.41



| NO. | ECN | DATE |
|-----------|-----|------|
| REVISIONS | | |

| | | | | | | | | | | | | |
|--|--|--|--|---|-----------|---------------|--|------------------------|-------------------------------|------------|------|---|
| | | | | | | | | | | | | |
| | | | | X | | COPPER TUBING | | | | | | |
| | | | | | QTY. | PT. | NAME OR DESCRIPTION | | | | | |
| | | | | | | | PENN-CRIMP LUG | | | | | |
| | | | | | | | for | | | | | |
| | | | | | | | 3 AWG COPPER CONDUCTORS | | | | | |
| | | | | | | | REF. DWG'S: 2H08-53826, 2H08-49236, 5H08-97776 H:\2H08\BBLU-3S | | | | | |
| | | | | | | | | DRAWN BY: DT | DATE: 2/22/2023 | CHK'D: QJB | | |
| | | | | | | | | SCALE: 2:1 | INTERPRET PER ASME Y14.5-2009 | FILE: 2H08 | | |
| | | | | | SEE TABLE | CAT. NO. | | SIZE: B | | | | |
| | | | | | | | | DWG. NO. | BBLU-3S | | REV. | - |
| | | | | | | | | 229 WATERFORD STREET | | | | |
| | | | | | | | | EDINBORO, PA 16412 USA | | | | |