


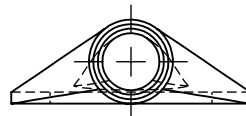
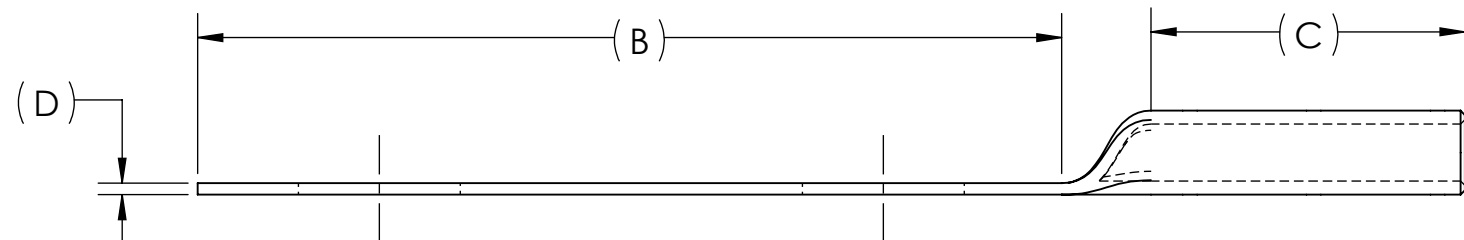
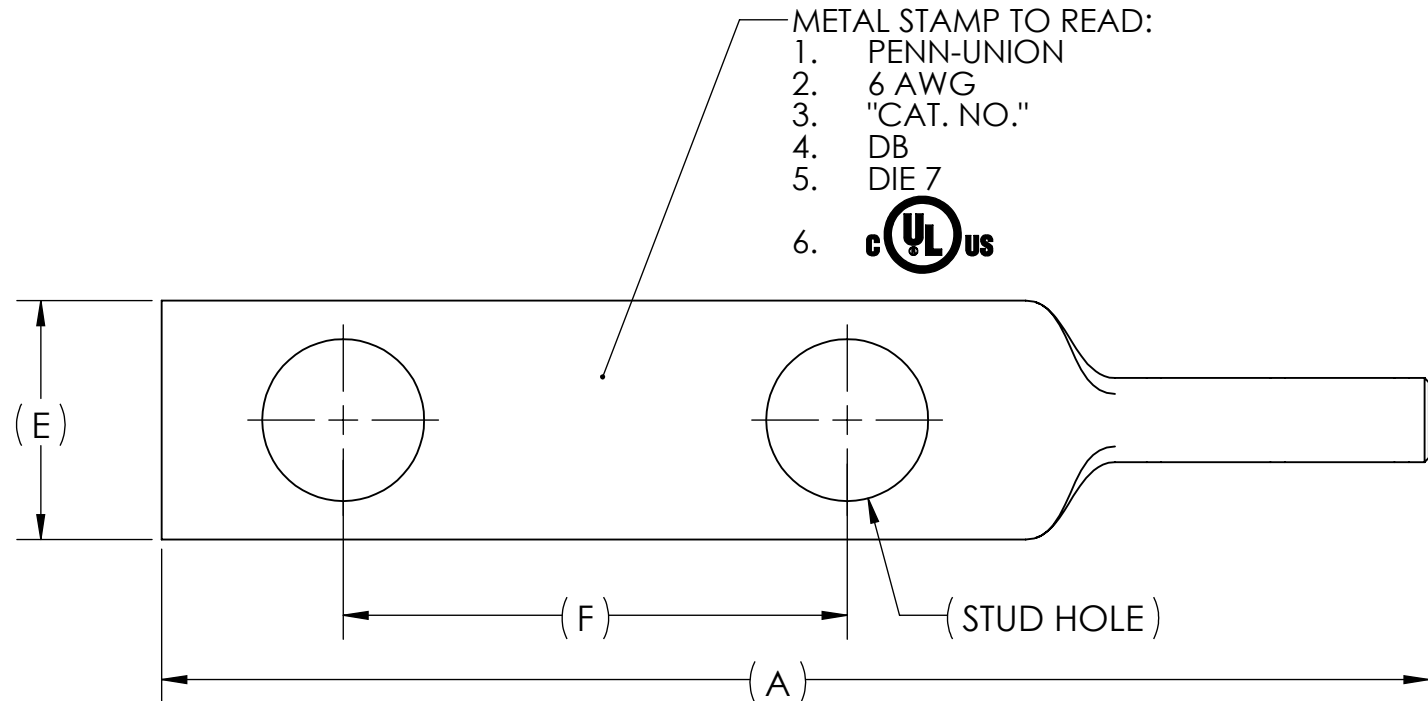
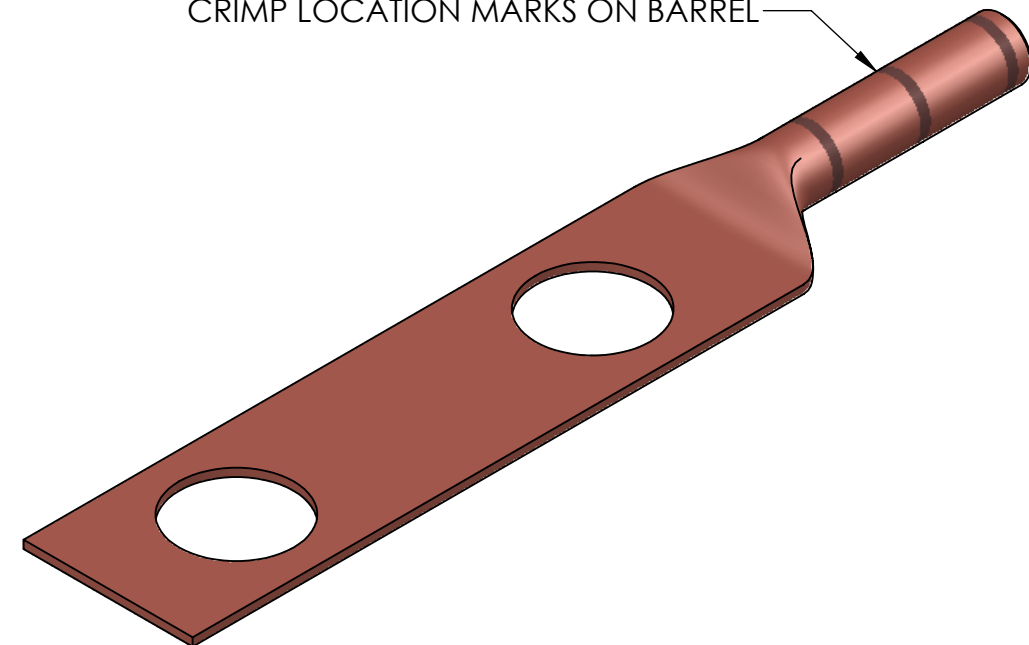
DWG. NO. **BBLU-6D-GND** REV. -

REV.	CAT. NO.	CONDUCTOR SIZE	STUD HOLE	DIMENSIONS						APPROX. WEIGHT (LB)	STRIP LENGTH
				A	B	C	D	E	F		
01	BBLU-6D-2TC38E2-GND	6 SOL./6 STR.	3/8	3.42	1.98	1.12	.06	.58	.75	0.035	1.19
01	BBLU-6D-GND	6 STR.	1/2	4.40	3.00	1.09	.04	.83	1.75	0.043	

METAL STAMP TO READ:


1. PENN-UNION
2. 6 AWG
3. "CAT. NO."
4. DB
5. DIE 7
6. 

CRIMP LOCATION MARKS ON BARREL



NOTES:

1. ALL DIMENSIONS IN INCHES UNLESS OTHERWISE SPECIFIED
2. SEE INSTALLATION SHEET FOR WIRE SIZE AND TOOLING RECOMMENDATIONS
3. RATED FOR COPPER CONDUCTORS ONLY
4. BEVELED ENTRY FOR EASY CABLE INSERTION
5. PREFILLED WITH COPPER-BASED OXIDE INHIBITOR AND CAPPED TO PREVENT FOREIGN MATERIALS FROM ENTERING AND CONTAMINATING CONNECTORS PRIOR TO USE
6. CONNECTORS ARE SUITABLE FOR VOLTAGES UP TO 35 KV
7. FOR APPLICATIONS GREATER THAN 2000 VOLTS, CONSULT CABLE MANUFACTURER FOR VOLTAGE STRESS RELIEF INSTRUCTIONS
8. CONNECTORS ARE cULus LISTED PER UL486A-B FOR POWER APPLICATIONS UP TO 90°C
9. CONNECTORS ARE UL LISTED FOR GROUNDING, BONDING, AND DIRECT BURIAL APPLICATIONS PER UL467

QTY.	PT.	NAME OR DESCRIPTION
	X	COPPER TUBING
		COMPRESSION GROUNDING LUG
		for 6 AWG COPPER CONDUCTORS
REF. DWG'S: 5H08-96699, 96700		H:\5H08\BBLU-6D-GND
DRAWN BY: DT		DATE: 8/17/2023
SCALE: 3:2		INTERPRET PER ASME Y14.5-2009
FILE: 5H08		CHK'D: QJB
 229 WATERFORD STREET EDINBORO, PA 16412 USA		DWG. NO. BBLU-6D-GND REV. -

NO.	ECN	DATE
REVISIONS		