

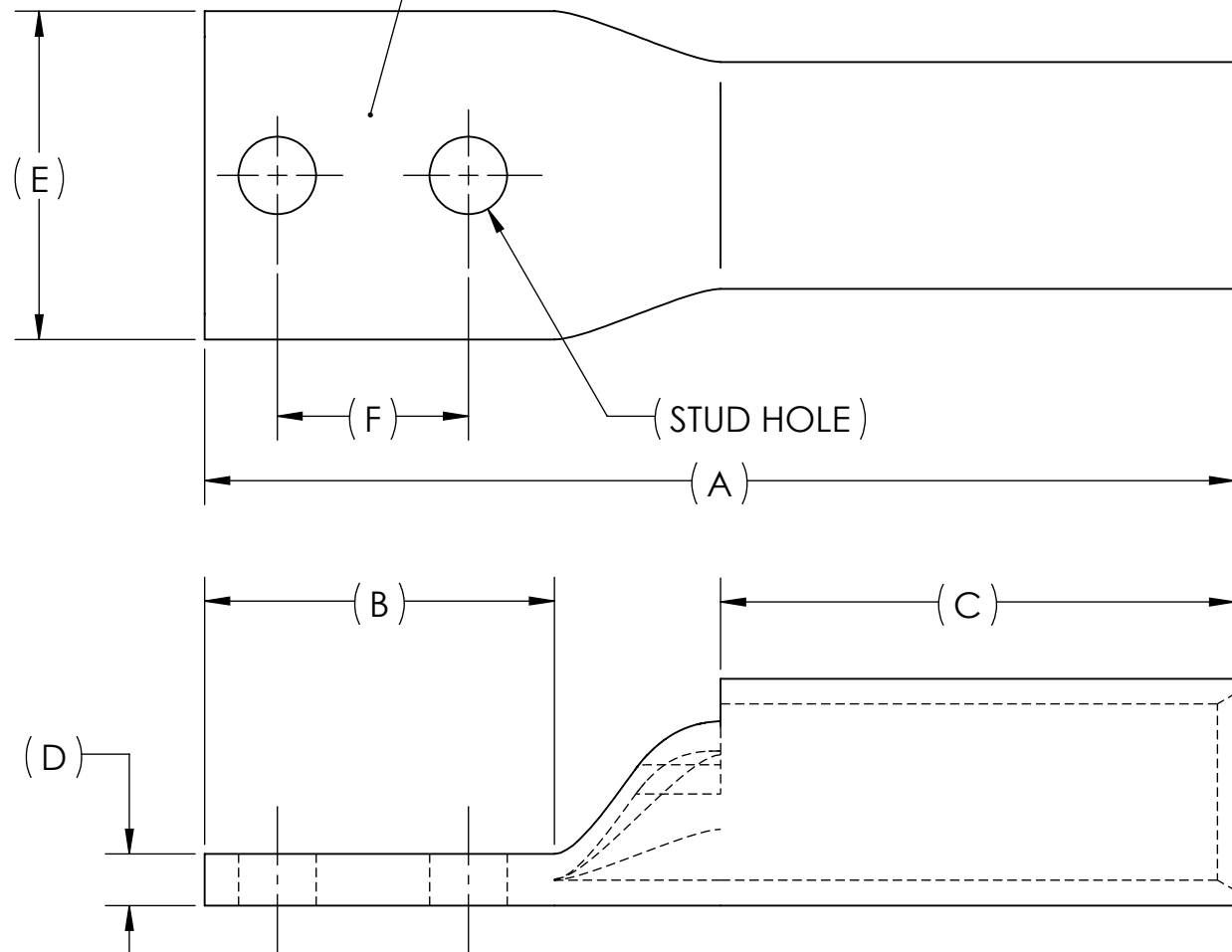


DWG. NO. BBLZ-060D	REV. -	REV.	CAT. NO.	SUFFIX	STUD HOLE	DIMENSIONS					APPROX. WEIGHT (LB)	STRIP LENGTH	
		-	BBLZ-060D2TC38	2TC38	3/8	A	B	C	D	E			F
		01	BBLZ-060D	-	1/2	5.39	1.83	2.69	.27	1.72	1.00	0.738	2.81
						6.56	3.00	2.69	.27	1.72	1.75	0.891	

METAL STAMP TO READ:

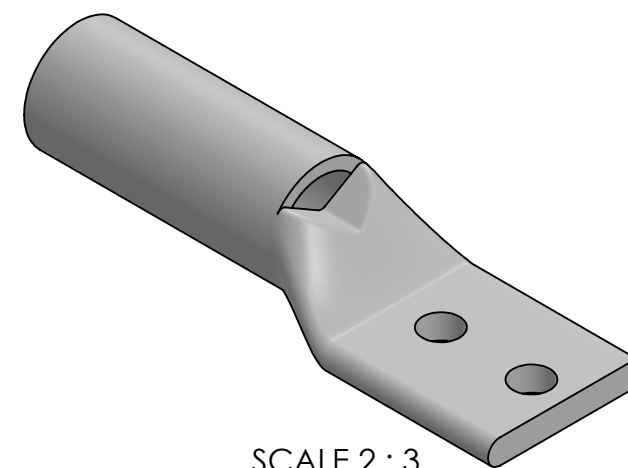
1. 600
2. CU
3. D
4. "SUFFIX"
5. 
6. 



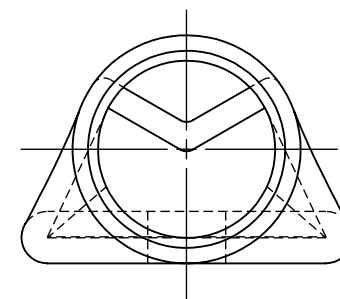
INK STAMP REFERENCE



USE BELOW OPTIONAL SUFFIXES FOR ALTERNATE LUG CONFIGURATIONS:
 -45 FOR 45° BENT PAD
 -90 FOR 90° BENT PAD
 -FL FOR FLARED BARREL ENTRY
 -U FOR UNDRILLED PAD
 EXAMPLE: BBLZ-060D2TC38-FL



SCALE 2 : 3



NOTES:

1. ALL DIMENSIONS IN INCHES UNLESS OTHERWISE SPECIFIED
2. SEE INSTALLATION SHEET FOR WIRE SIZE AND TOOLING RECOMMENDATIONS
3. TIN-PLATED TO INHIBIT CORROSION
4. RATED FOR COPPER CONDUCTORS ONLY
5. BEVELED ENTRY FOR EASY CABLE INSERTION
6. INSPECTION WINDOW TO ENSURE FULL CABLE INSERTION
7. CONNECTORS ARE SUITABLE FOR VOLTAGES UP TO 35 KV
8. FOR APPLICATIONS GREATER THAN 2000 VOLTS, CONSULT CABLE MANUFACTURER FOR VOLTAGE STRESS RELIEF INSTRUCTIONS
9. CONNECTORS ARE UL LISTED PER UL486A-B AND CSA CERTIFIED PER C22.2 NO.65 FOR POWER APPLICATIONS UP TO 90°C



NO.	ECN	DATE
REVISIONS		

QTY.	PT.	NAME OR DESCRIPTION
	X	COPPER TUBING
		PENN-CRIMP LUG for 600 MCM COPPER CONDUCTORS
		REF. DWG'S: 2H02-55197, 2H02-55198 H:\2H02\BBLZ-060D
		PENNUNION 229 WATERFORD STREET EDINBORO, PA 16412 USA
		DRAWN BY: DT DATE: 6/9/2023 CHK'D: QJB SCALE: 1:1 INTERPRET PER ASME Y14.5-2009 FILE: 2H02
		SIZE: B DWG. NO. BBLZ-060D REV. -