

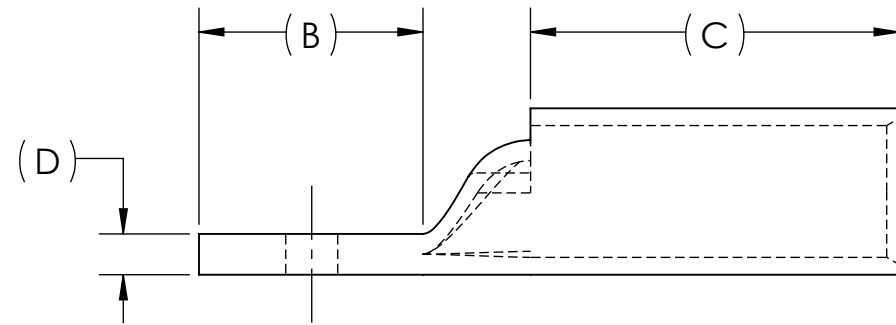
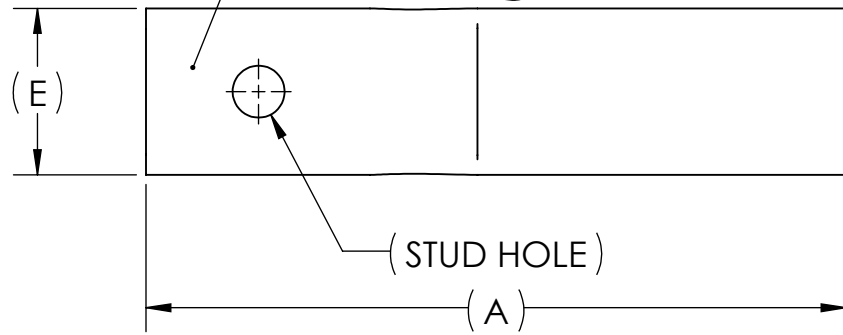
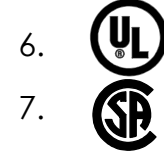
DWG. NO. **BBLZ-075S-NT** REV. -

CAT. NO.	SUFFIX	STUD HOLE	DIMENSIONS					APPROX. WEIGHT (LB)	STRIP LENGTH
			A	B	C	D	E		
BBLZ-075S3-NT	S3-NT	3/8	5.47	1.75	2.88	.32	1.30	0.790	3.00
BBLZ-075S2-NT	S2-NT	1/2	5.47	1.75	2.88	.32	1.30	0.780	
BBLZ-075S-NT	S-NT	5/8	5.47	1.75	2.88	.32	1.30	0.768	

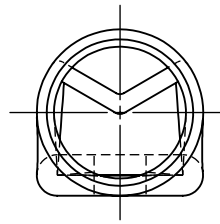
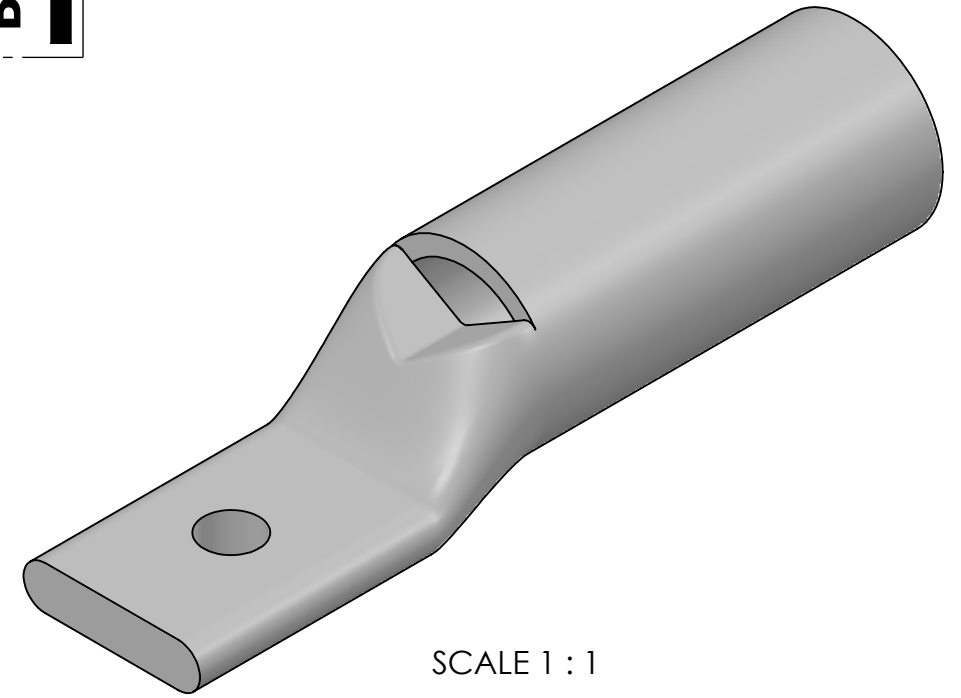
USE BELOW OPTIONAL SUFFIXES FOR ALTERNATE LUG CONFIGURATIONS:
 -45 FOR 45° BENT PAD
 -90 FOR 90° BENT PAD
 -FL FOR FLARED BARREL ENTRY
 -U FOR UNDRILLED PAD
 EXAMPLE: BBLZ-075S3-NT-FL

METAL STAMP TO READ:

1. 750
2. CU
3. "SUFFIX"
4. "STUD HOLE"
5. 646 KCMIL 1600/24



INK STAMP REFERENCE



NOTES:

1. ALL DIMENSIONS IN INCHES UNLESS OTHERWISE SPECIFIED
2. SEE INSTALLATION SHEET FOR WIRE SIZE AND TOOLING RECOMMENDATIONS
3. TIN-PLATED TO INHIBIT CORROSION
4. RATED FOR COPPER CONDUCTORS ONLY
5. BEVELED ENTRY FOR EASY CABLE INSERTION
6. INSPECTION WINDOW TO ENSURE FULL CABLE INSERTION
7. CONNECTORS ARE SUITABLE FOR VOLTAGES UP TO 35 KV
8. FOR APPLICATIONS GREATER THAN 2000 VOLTS, CONSULT CABLE MANUFACTURER FOR VOLTAGE STRESS RELIEF INSTRUCTIONS
9. CONNECTORS ARE UL LISTED PER UL486A-B AND CSA CERTIFIED PER C22.2 NO.65 FOR POWER APPLICATIONS UP TO 90°C



NO.	ECN	DATE
REVISIONS		

		X	COPPER TUBING
QTY.	PT.	NAME OR DESCRIPTION	
		LONG BARREL NARROW TONGUE LUG for 750 MCM COPPER CONDUCTORS	
REF. DWG'S: 5H02-96569		H:\5H02\BBLZ-075S-NT	
DRAWN BY: DT		DATE: 7/19/2023	CHK'D: QJB
SCALE: 2:3		INTERPRET PER ASME Y14.5-2009	FILE: 5H02
SIZE: B	DWG. NO. BBLZ-075S-NT	REV. -	
 229 WATERFORD STREET EDINBORO, PA 16412 USA			