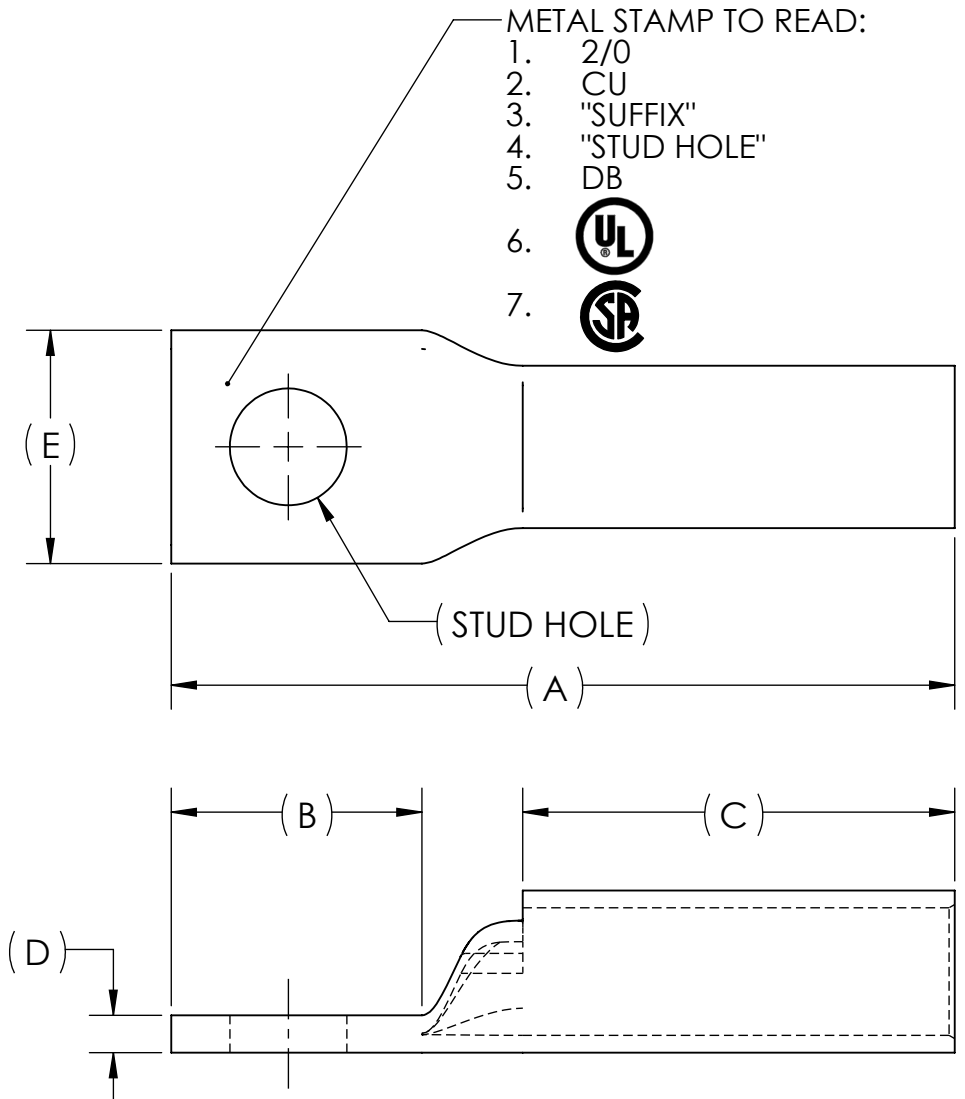


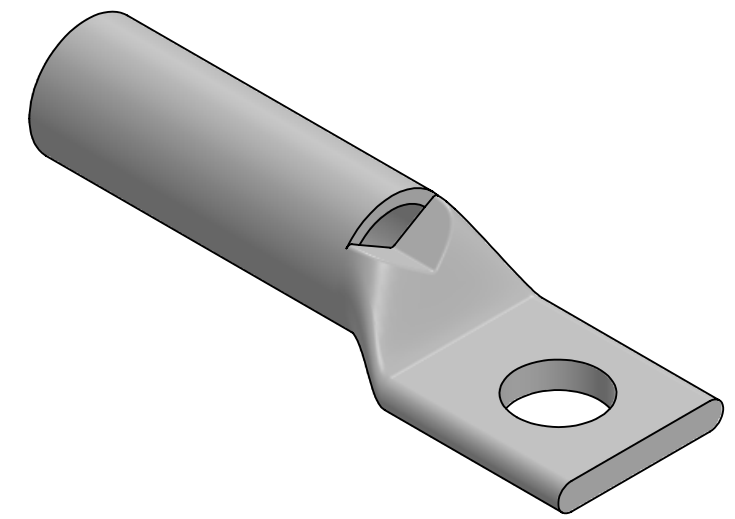
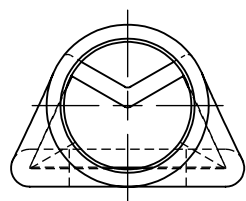
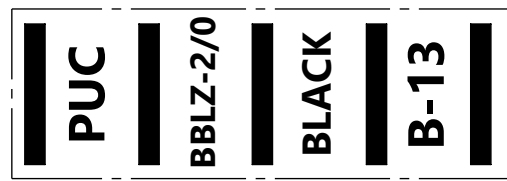
DWG. NO. **BBLZ-2/OS** REV. -

REV.	CAT. NO.	SUFFIX	STUD HOLE	DIMENSIONS					APPROX. WEIGHT (LB)	STRIP LENGTH
				A	B	C	D	E		
-	BBLZ-2/OS	S	3/8	2.72	.87	1.50	.13	.81	0.079	1.63
-	BBLZ-2/OS1	S1	1/2	3.06	1.25	1.50	.13	.81	0.087	1.63

USE BELOW OPTIONAL SUFFIXES FOR ALTERNATE LUG CONFIGURATIONS:  
 -45 FOR 45° BENT PAD  
 -90 FOR 90° BENT PAD  
 -FL FOR FLARED BARREL ENTRY  
 -U FOR UNDRILLED PAD  
 EXAMPLE: BBLZ-2/OS1-FL



INK STAMP REFERENCE



- NOTES:
- ALL DIMENSIONS IN INCHES UNLESS OTHERWISE SPECIFIED
  - SEE INSTALLATION SHEET FOR WIRE SIZE AND TOOLING RECOMMENDATIONS
  - TIN-PLATED TO INHIBIT CORROSION
  - RATED FOR COPPER CONDUCTORS ONLY
  - BEVELED ENTRY FOR EASY CABLE INSERTION
  - INSPECTION WINDOW TO ENSURE FULL CABLE INSERTION
  - CONNECTORS ARE SUITABLE FOR VOLTAGES UP TO 35 KV
  - FOR APPLICATIONS GREATER THAN 2000 VOLTS, CONSULT CABLE MANUFACTURER FOR VOLTAGE STRESS RELIEF INSTRUCTIONS
  - CONNECTORS ARE UL LISTED PER UL486A-B AND CSA CERTIFIED PER C22.2 NO.65 FOR POWER APPLICATIONS UP TO 90°C
  - CONNECTORS ARE UL LISTED FOR GROUNDING, BONDING, AND DIRECT BURIAL APPLICATIONS PER UL467
  - CONNECTORS ARE CSA CERTIFIED FOR GROUNDING, BONDING, AND DIRECT BURIAL APPLICATIONS PER C22.2 NO.41



NO.	ECN	DATE
REVISIONS		

COPPER TUBING		NAME OR DESCRIPTION	
QTY.	PT.	PENN-CRIMP LUG for 2/0 AWG COPPER CONDUCTORS	
REF. DWG'S: 18-56-00		H:\2H02\BBLZ-2.0S	
DRAWN BY: DT		DATE: 6/1/2023	CHK'D: QJB
SCALE: 3:2		INTERPRET PER ASME Y14.5-2009	
FILE: 2H02		DWG. NO. <b>BBLZ-2/OS</b>	
REV. -		PENNUNION™ 229 WATERFORD STREET EDINBORO, PA 16412 USA	