

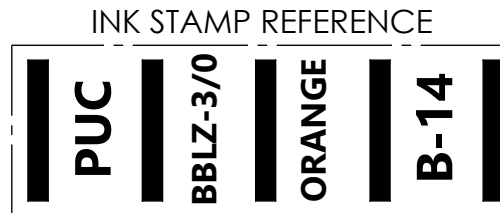
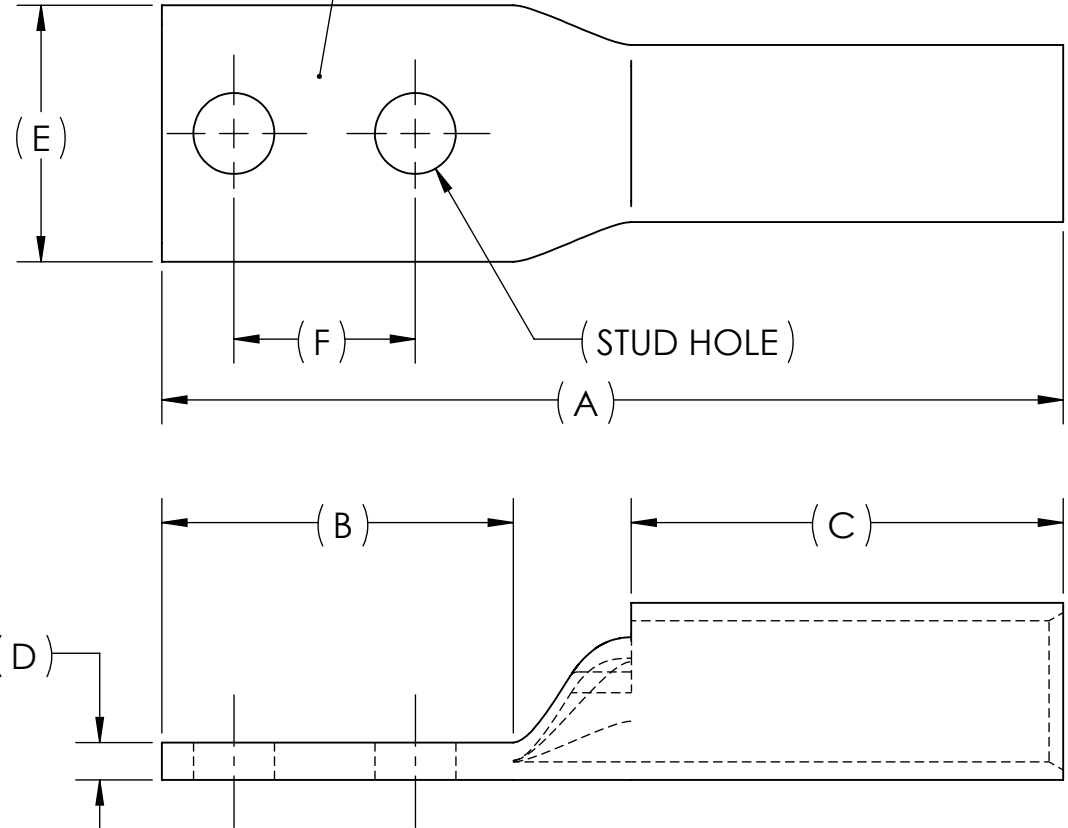


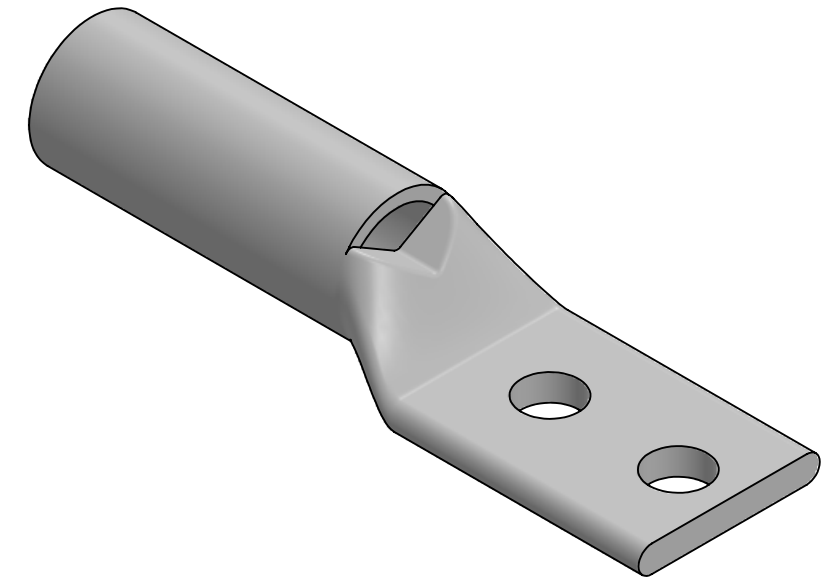
| DWG. NO. | REV. | REV. | CAT. NO. | SUFFIX | STUD HOLE | DIMENSIONS | | | | | APPROX. WEIGHT (LB) | STRIP LENGTH | |
|-----------|------|------|------------------|---------|-----------|------------|------|------|-----|-----|---------------------|--------------|------|
| | | | | | | A | B | C | D | E | | | F |
| BBLZ-3/0D | - | | | | | | | | | | | | |
| | 01 | | BBLZ-3/0D2TC14 | 2TC14 | 1/4 | 3.13 | 1.22 | 1.50 | .13 | .89 | .63 | 0.105 | 1.63 |
| | 01 | | BBLZ-3/0D2TC14E2 | 2TC14E2 | 1/4 | 3.27 | 1.36 | 1.50 | .13 | .89 | .75 | 0.110 | |
| | 01 | | BBLZ-3/0D2TC38E2 | 2TC38E2 | 3/8 | 3.49 | 1.58 | 1.50 | .13 | .89 | .75 | 0.112 | |
| | 01 | | BBLZ-3/0D2TC38E3 | 2TC38E3 | 3/8 | 3.74 | 1.83 | 1.50 | .13 | .89 | .81 | 0.121 | |
| | 02 | | BBLZ-3/0D2TC38 | 2TC38 | 3/8 | 3.74 | 1.83 | 1.50 | .13 | .89 | 1.00 | 0.121 | |
| | 01 | | BBLZ-3/0D | - | 1/2 | 4.91 | 3.00 | 1.50 | .13 | .89 | 1.75 | 0.155 | |

METAL STAMP TO READ:

- 3/0
- CU
- D
- "SUFFIX"
- DB
- 
- 



USE BELOW OPTIONAL SUFFIXES FOR ALTERNATE LUG CONFIGURATIONS:
 -45 FOR 45° BENT PAD
 -90 FOR 90° BENT PAD
 -FL FOR FLARED BARREL ENTRY
 -U FOR UNDRILLED PAD
 EXAMPLE: BBLZ-3/0D2TC14E2-FL



NOTES:

- ALL DIMENSIONS IN INCHES UNLESS OTHERWISE SPECIFIED
- SEE INSTALLATION SHEET FOR WIRE SIZE AND TOOLING RECOMMENDATIONS
- TIN-PLATED TO INHIBIT CORROSION
- RATED FOR COPPER CONDUCTORS ONLY
- BEVELED ENTRY FOR EASY CABLE INSERTION
- INSPECTION WINDOW TO ENSURE FULL CABLE INSERTION
- CONNECTORS ARE SUITABLE FOR VOLTAGES UP TO 35 KV
- FOR APPLICATIONS GREATER THAN 2000 VOLTS, CONSULT CABLE MANUFACTURER FOR VOLTAGE STRESS RELIEF INSTRUCTIONS
- CONNECTORS ARE UL LISTED PER UL486A-B AND CSA CERTIFIED PER C22.2 NO.65 FOR POWER APPLICATIONS UP TO 90°C
- CONNECTORS ARE UL LISTED FOR GROUNDING, BONDING, AND DIRECT BURIAL APPLICATIONS PER UL467
- CONNECTORS ARE CSA CERTIFIED FOR GROUNDING, BONDING, AND DIRECT BURIAL APPLICATIONS PER C22.2 NO.41



| NO. | ECN | DATE |
|-----------|-----|------|
| REVISIONS | | |

| | | | | | | | | | |
|--|--|------|--|-----|--|---|--|-------------------------------|--|
| | | | | | | | | | |
| | | | | | | | | | |
| | | | | X | | COPPER TUBING | | | |
| | | QTY. | | PT. | | NAME OR DESCRIPTION | | | |
| | | | | | | PENN-CRIMP LUG | | | |
| | | | | | | for | | | |
| | | | | | | 3/0 AWG COPPER CONDUCTORS | | | |
| | | | | | | REF. DWG'S: 2H02-55167 THROUGH 2H02-55172 | | H:\2H02\BBLZ-3.0D | |
| | | | | | | DRAWN BY: DT | | DATE: 6/8/2023 | |
| | | | | | | SCALE: 3:2 | | INTERPRET PER ASME Y14.5-2009 | |
| | | | | | | SIZE: B | | FILE: 2H02 | |
| | | | | | | DWG. NO. | | REV. | |
| | | | | | | BBLZ-3/0D | | - | |