

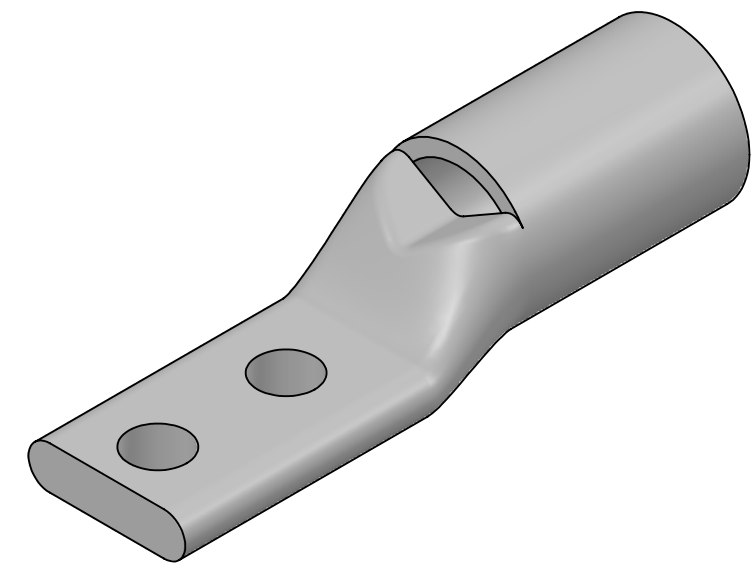
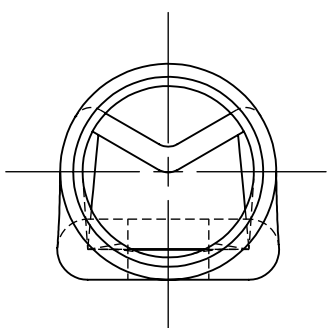
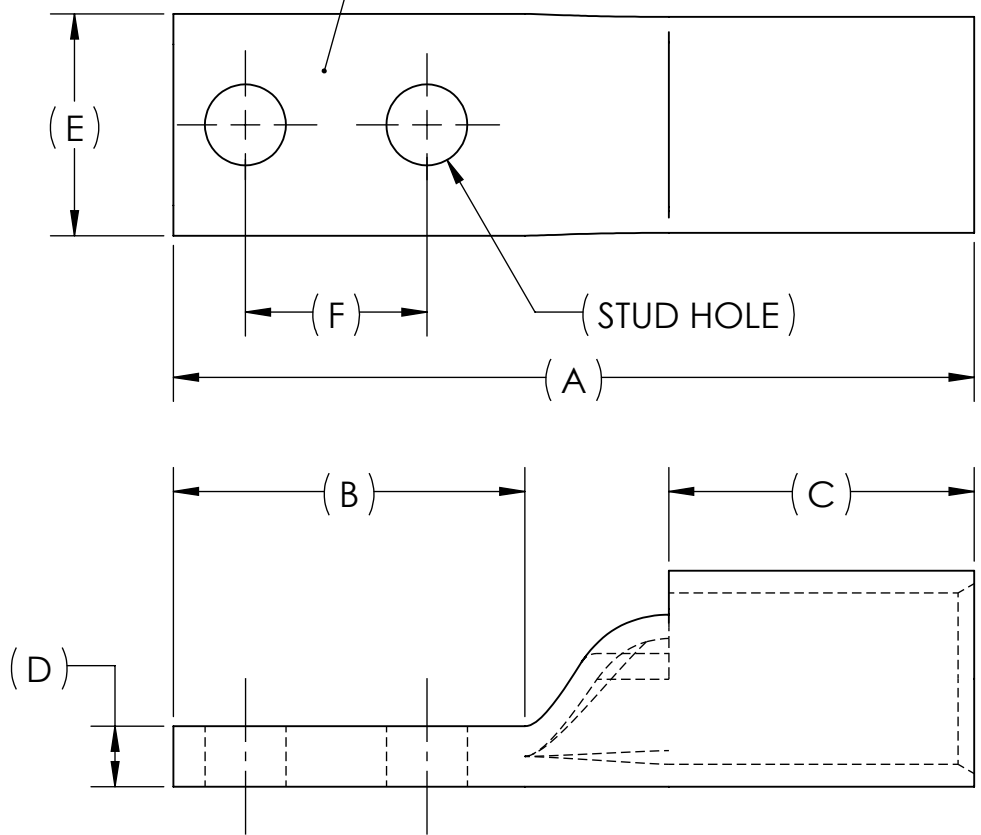
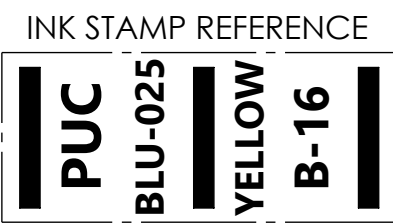


DWG. NO. **BLU-025D-NT** REV. -

CAT. NO.	SUFFIX	STUD HOLE	DIMENSIONS						APPROX. WEIGHT (LB)	STRIP LENGTH
			A	B	C	D	E	F		
BLU-025D2TC14-NT	2TC14	1/4	2.78	1.22	1.06	.21	.77	.63	0.133	1.19
BLU-025D2TC38-NT	2TC38	3/8	3.39	1.83	1.06	.21	.77	1.00	0.154	
BLU-025D2TC38E16-NT	2TC38E16	3/8	4.37	2.81	1.06	.21	.77	1.75	0.202	

- METAL STAMP TO READ:
1. 250
 2. CU
 3. D-NT
 4. "SUFFIX"
 5. DB
 6. 
 7. 

USE BELOW OPTIONAL SUFFIXES FOR ALTERNATE LUG CONFIGURATIONS:
 -45 FOR 45° BENT PAD
 -90 FOR 90° BENT PAD
 -FL FOR FLARED BARREL ENTRY
 -U FOR UNDRILLED PAD
 EXAMPLE: BLU-025D2TC38E16-NT-FL



- NOTES:
1. ALL DIMENSIONS IN INCHES UNLESS OTHERWISE SPECIFIED
 2. SEE INSTALLATION SHEET FOR WIRE SIZE AND TOOLING RECOMMENDATIONS
 3. TIN-PLATED TO INHIBIT CORROSION
 4. RATED FOR COPPER CONDUCTORS ONLY
 5. BEVELED ENTRY FOR EASY CABLE INSERTION
 6. INSPECTION WINDOW TO ENSURE FULL CABLE INSERTION
 7. CONNECTORS ARE SUITABLE FOR VOLTAGES UP TO 35 KV
 8. FOR APPLICATIONS GREATER THAN 2000 VOLTS, CONSULT CABLE MANUFACTURER FOR VOLTAGE STRESS RELIEF INSTRUCTIONS
 9. CONNECTORS ARE UL LISTED PER UL486A-B AND CSA CERTIFIED PER C22.2 NO.65 FOR POWER APPLICATIONS UP TO 90°C
 10. CONNECTORS ARE UL LISTED FOR GROUNDING, BONDING, AND DIRECT BURIAL APPLICATIONS PER UL467
 11. CONNECTORS ARE CSA CERTIFIED FOR GROUNDING, BONDING, AND DIRECT BURIAL APPLICATIONS PER C22.2 NO.41



NO.	ECN	DATE
REVISIONS		

			X						COPPER TUBING	
		QTY.	PT.	NAME OR DESCRIPTION						
				STANDARD BARREL NARROW TONGUE LUG for 250 MCM COPPER CONDUCTORS						
				REF. DWG'S: 5H03-96554			H:\5H03\BLU-025D-NT			
				DRAWN BY: DT		DATE: 7/10/2023		CHK'D: QJB		
				SCALE: 3:2		INTERPRET PER ASME Y14.5-2009		FILE: 5H03		
				SIZE: B						
				DWG. NO.	BLU-025D-NT				REV.	-
				SEE TABLE						
				CAT. NO.						
				PENNUNION™ 229 WATERFORD STREET EDINBORO, PA 16412 USA						