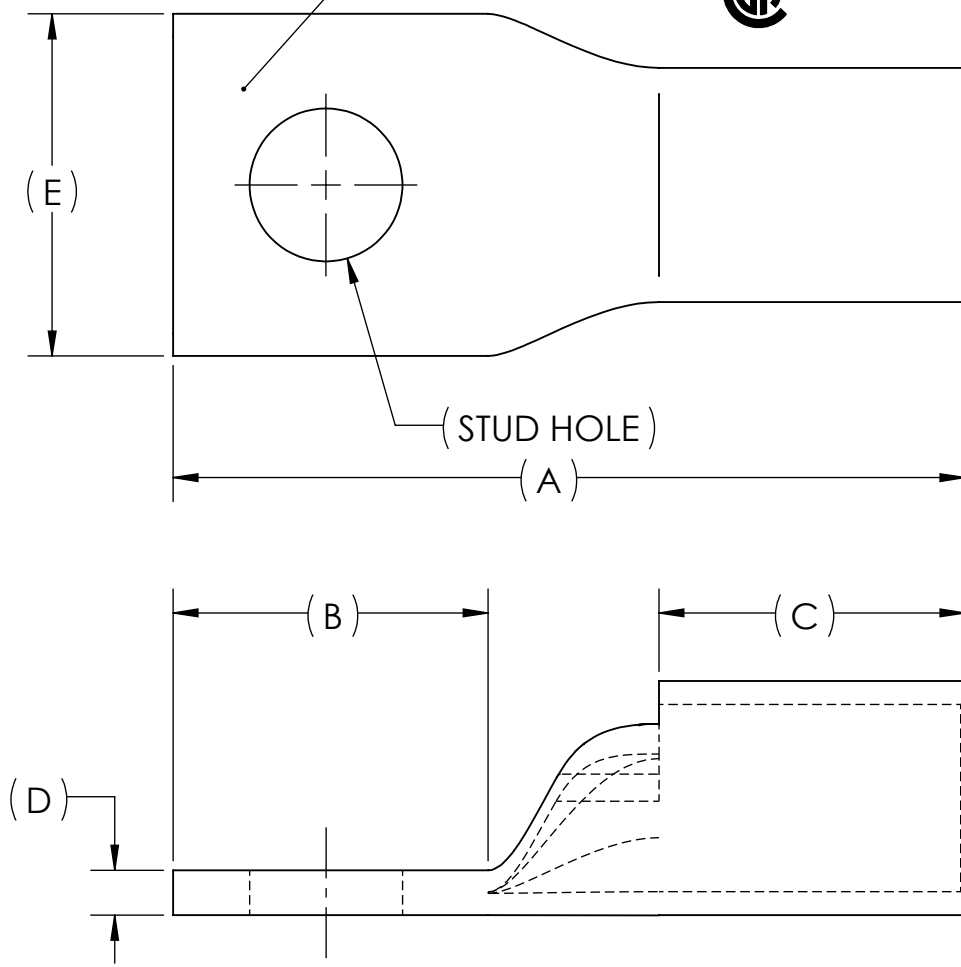


DWG. NO. **BLU-030S** REV. -

METAL STAMP TO READ:

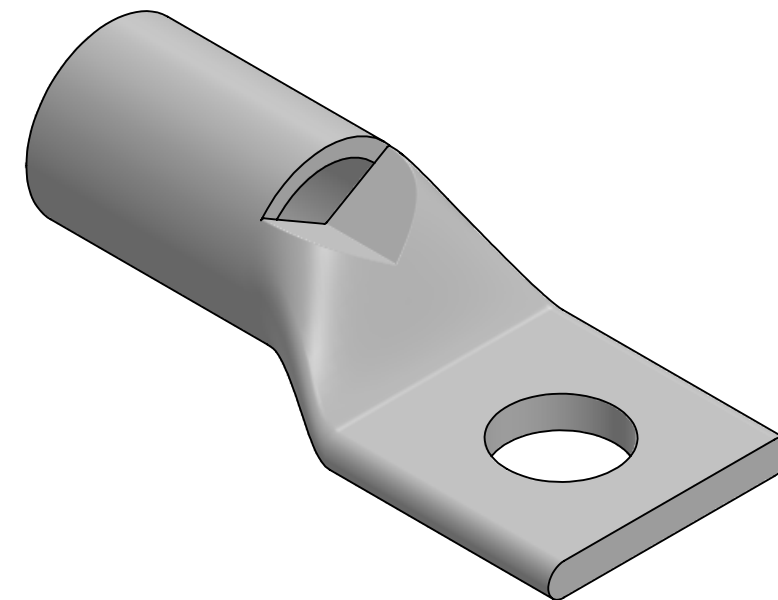
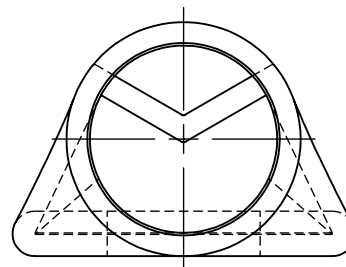
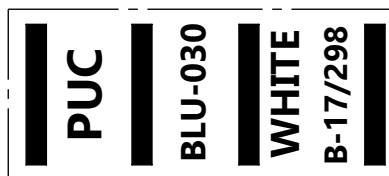
1. 300
2. CU
3. "SUFFIX"
4. "STUD HOLE"
5. DB
6. 
7. 



REV.	CAT. NO.	SUFFIX	STUD HOLE	DIMENSIONS					APPROX. WEIGHT (LB)	STRIP LENGTH
				A	B	C	D	E		
05	BLU-030S6	S6	5/16	2.41	.78	1.06	.16	1.19	0.138	1.19
05	BLU-030S7	S7	3/8	2.75	1.09	1.06	.16	1.19	0.155	
08	BLU-030S	S	1/2	2.75	1.09	1.06	.16	1.19	0.150	
06	BLU-030S8	S8	5/8	3.31	1.69	1.06	.16	1.19	0.177	

USE BELOW OPTIONAL SUFFIXES FOR ALTERNATE LUG CONFIGURATIONS:
 -45 FOR 45° BENT PAD
 -90 FOR 90° BENT PAD
 -FL FOR FLARED BARREL ENTRY
 -U FOR UNDRILLED PAD
 EXAMPLE: BLU-030S6-FL

INK STAMP REFERENCE



NOTES:

1. ALL DIMENSIONS IN INCHES UNLESS OTHERWISE SPECIFIED
2. SEE INSTALLATION SHEET FOR WIRE SIZE AND TOOLING RECOMMENDATIONS
3. TIN-PLATED TO INHIBIT CORROSION
4. RATED FOR COPPER CONDUCTORS ONLY
5. BEVELED ENTRY FOR EASY CABLE INSERTION
6. INSPECTION WINDOW TO ENSURE FULL CABLE INSERTION
7. CONNECTORS ARE SUITABLE FOR VOLTAGES UP TO 35 KV
8. FOR APPLICATIONS GREATER THAN 2000 VOLTS, CONSULT CABLE MANUFACTURER FOR VOLTAGE STRESS RELIEF INSTRUCTIONS
9. CONNECTORS ARE UL LISTED PER UL486A-B AND CSA CERTIFIED PER C22.2 NO.65 FOR POWER APPLICATIONS UP TO 90°C
10. CONNECTORS ARE UL LISTED FOR GROUNDING, BONDING, AND DIRECT BURIAL APPLICATIONS PER UL467



NO.	ECN	DATE
REVISIONS		

QTY.	PT.	NAME OR DESCRIPTION
	X	COPPER TUBING
		PENN-CRIMP LUG for 300 MCM COPPER CONDUCTORS
REF. DWG'S: 2H03-31398, 2H03-49775, 2H03-43883, 2H03-53177		H:\2H03\BLU-030S
DRAWN BY: DT		DATE: 2/22/2023
SCALE: 3:2		INTERPRET PER ASME Y14.5-2009
SIZE: B		FILE: 2H03
DWG. NO. BLU-030S		REV. -