



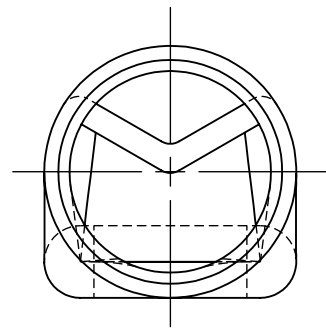
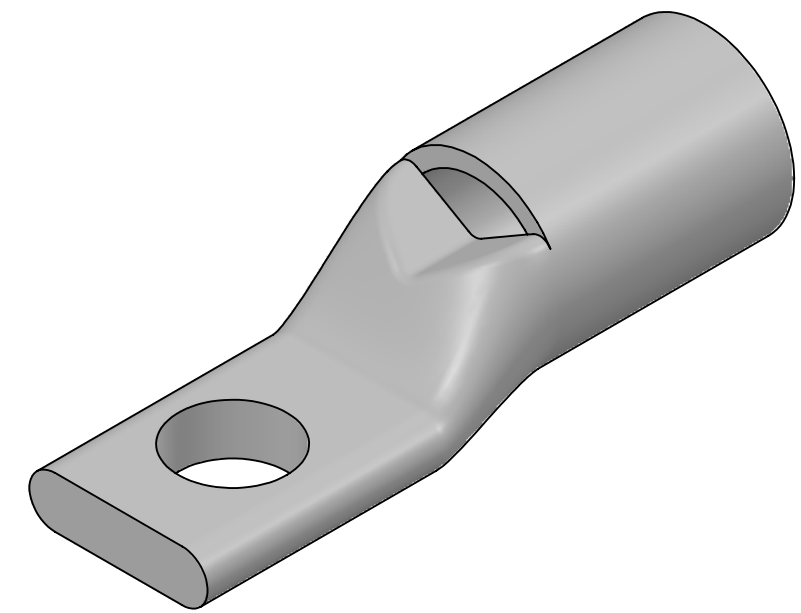
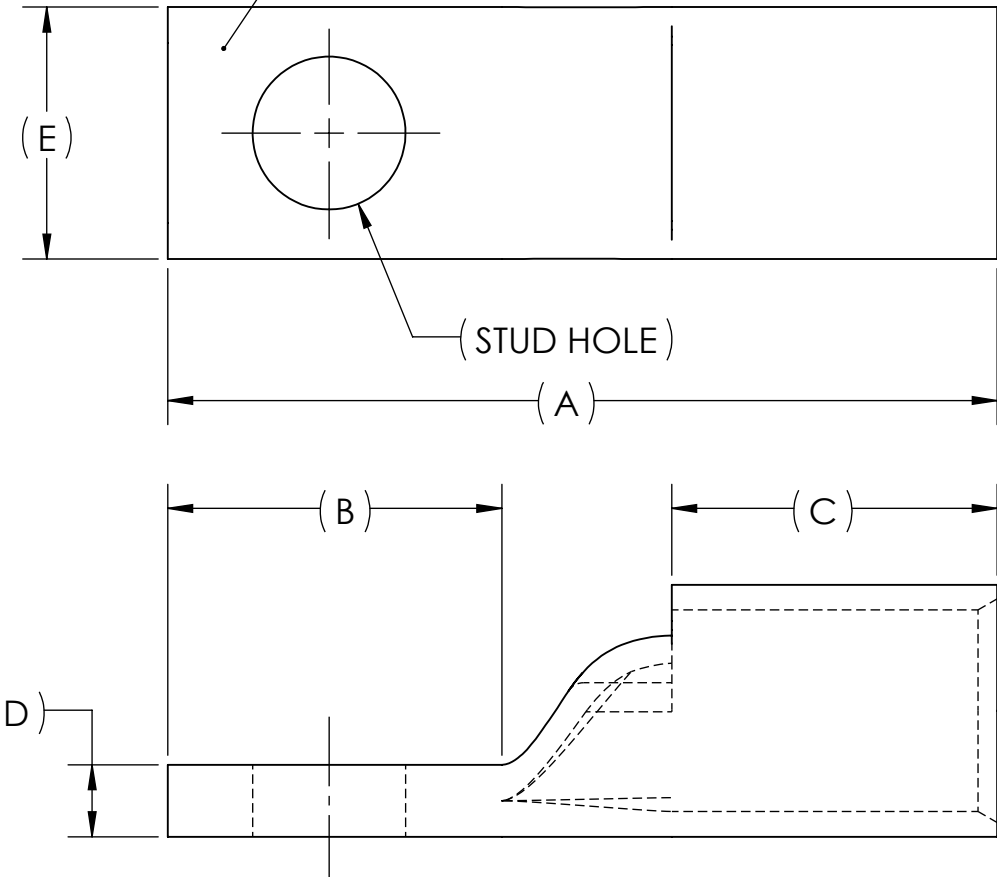
DWG. NO. **BLU-035S-NT** REV. -

CAT. NO.	SUFFIX	STUD HOLE	DIMENSIONS					APPROX. WEIGHT (LB)	STRIP LENGTH
			A	B	C	D	E		
BLU-035S1-NT	S1-NT	3/8	2.60	.88	1.13	.25	.88	0.168	1.19
BLU-035S5-NT	S5-NT	1/2	2.88	1.16	1.13	.25	.88	0.179	

- METAL STAMP TO READ:
- 350
 - CU
 - "SUFFIX"
 - "STUD HOLE"
 - DB
 - 
 - 

USE BELOW OPTIONAL SUFFIXES FOR ALTERNATE LUG CONFIGURATIONS:
 -45 FOR 45° BENT PAD
 -90 FOR 90° BENT PAD
 -FL FOR FLARED BARREL ENTRY
 -U FOR UNDRILLED PAD
 EXAMPLE: BLU-035S1-NT-FL


INK STAMP REFERENCE



- NOTES:
- ALL DIMENSIONS IN INCHES UNLESS OTHERWISE SPECIFIED
 - SEE INSTALLATION SHEET FOR WIRE SIZE AND TOOLING RECOMMENDATIONS
 - TIN-PLATED TO INHIBIT CORROSION
 - RATED FOR COPPER CONDUCTORS ONLY
 - BEVELED ENTRY FOR EASY CABLE INSERTION
 - INSPECTION WINDOW TO ENSURE FULL CABLE INSERTION
 - CONNECTORS ARE SUITABLE FOR VOLTAGES UP TO 35 KV
 - FOR APPLICATIONS GREATER THAN 2000 VOLTS, CONSULT CABLE MANUFACTURER FOR VOLTAGE STRESS RELIEF INSTRUCTIONS
 - CONNECTORS ARE UL LISTED PER UL486A-B AND CSA CERTIFIED PER C22.2 NO.65 FOR POWER APPLICATIONS UP TO 90°C
 - CONNECTORS ARE UL LISTED FOR GROUNDING, BONDING, AND DIRECT BURIAL APPLICATIONS PER UL467



NO.	ECN	DATE
REVISIONS		

			X	COPPER TUBING
QTY.	PT.	NAME OR DESCRIPTION		
		STANDARD BARREL NARROW TONGUE LUG for 350 MCM COPPER CONDUCTORS		
		REF. DWG'S: 5H03-96551	H:\5H03\BLU-035S-NT	
			DRAWN BY: DT	DATE: 7/6/2023
		229 WATERFORD STREET EDINBORO, PA 16412 USA	SCALE: 3:2	INTERPRET PER ASME Y14.5-2009
			SIZE: B	FILE: 5H03
			DWG. NO. BLU-035S-NT	REV. -