



DWG. NO. **BLU-060-NT** REV. -

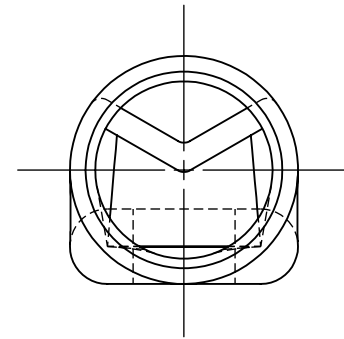
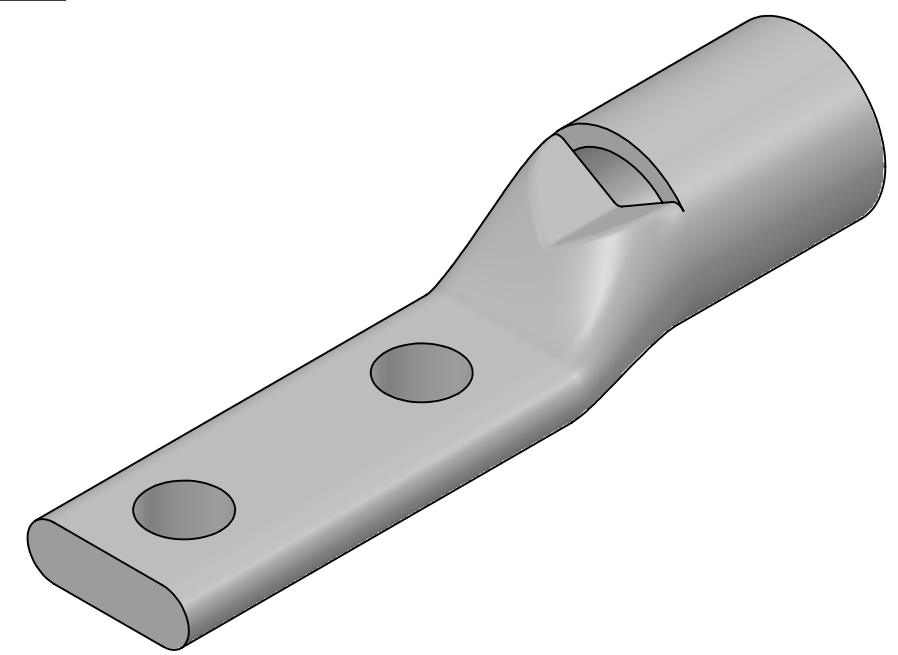
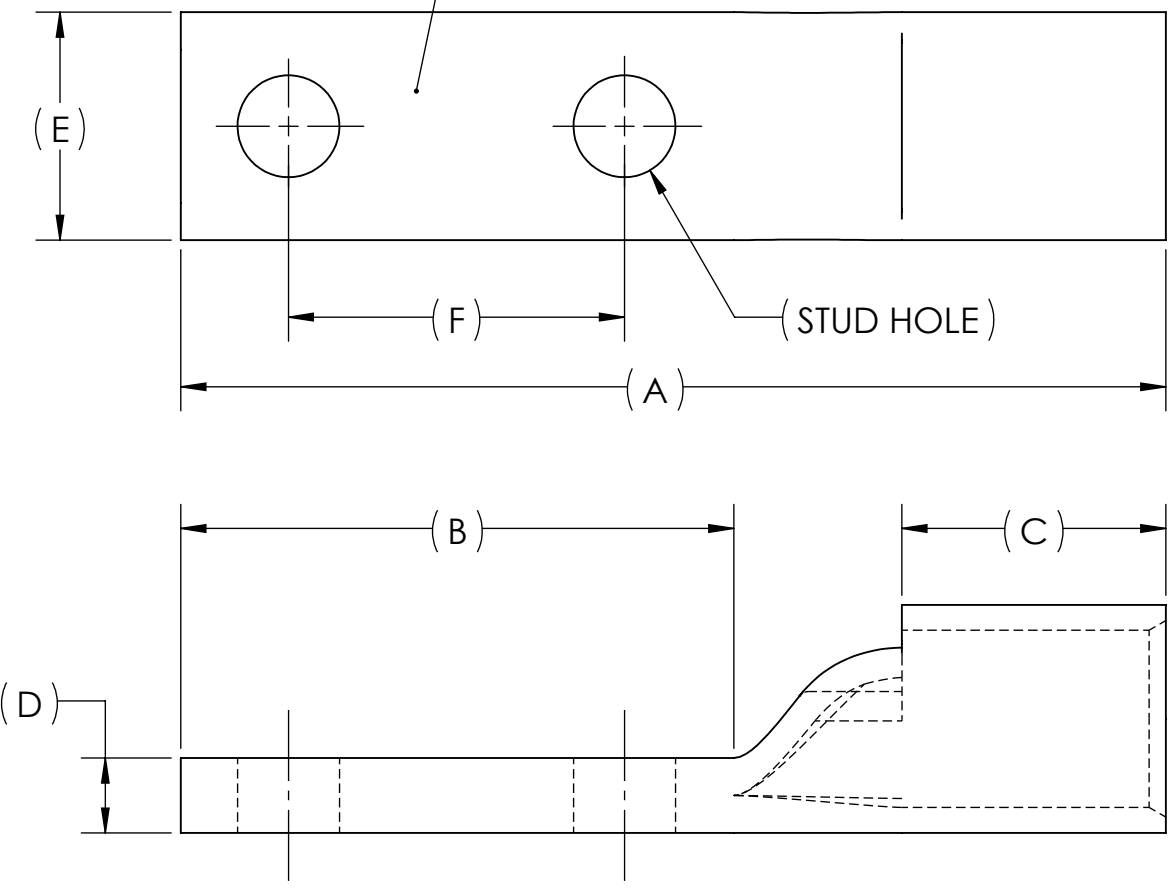
CAT. NO.	STUD HOLE	DIMENSIONS						APPROX. WEIGHT (LB)	STRIP LENGTH
		A	B	C	D	E	F		
BLU-060D-NT	1/2	5.13	2.88	1.38	.39	1.19	1.75	0.664	1.50

METAL STAMP TO READ:

1. 600
2. CU
3. D-NT
4. 12
5. 444 KCMIL 1100/24
6. 
7. 

USE BELOW OPTIONAL SUFFIXES FOR ALTERNATE LUG CONFIGURATIONS:
 -45 FOR 45° BENT PAD
 -90 FOR 90° BENT PAD
 -FL FOR FLARED BARREL ENTRY
 -U FOR UNDRILLED PAD
 EXAMPLE: BLU-060D-NT-FL

INK STAMP REFERENCE



- NOTES:
1. ALL DIMENSIONS IN INCHES UNLESS OTHERWISE SPECIFIED
 2. SEE INSTALLATION SHEET FOR WIRE SIZE AND TOOLING RECOMMENDATIONS
 3. TIN-PLATED TO INHIBIT CORROSION
 4. RATED FOR COPPER CONDUCTORS ONLY
 5. BEVELED ENTRY FOR EASY CABLE INSERTION
 6. INSPECTION WINDOW TO ENSURE FULL CABLE INSERTION
 7. CONNECTORS ARE SUITABLE FOR VOLTAGES UP TO 35 KV
 8. FOR APPLICATIONS GREATER THAN 2000 VOLTS, CONSULT CABLE MANUFACTURER FOR VOLTAGE STRESS RELIEF INSTRUCTIONS
 9. CONNECTORS ARE UL LISTED PER UL486A-B AND CSA CERTIFIED PER C22.2 NO.65 FOR POWER APPLICATIONS UP TO 90°C



NO.	ECN	DATE
REVISIONS		

QTY.	PT.	NAME OR DESCRIPTION
	X	COPPER TUBING
		STANDARD BARREL NARROW TONGUE LUG for 600 MCM COPPER CONDUCTORS
REF. DWG'S: 2H03-56119		H:\2H03\BLU-060D-NT
DRAWN BY: DT		DATE: 7/11/2023
SCALE: 1:1		INTERPRET PER ASME Y14.5-2009
SIZE: B		FILE: 2H03
DWG. NO. BLU-060-NT		REV. -

PENNUNION
 229 WATERFORD STREET
 EDINBORO, PA 16412 USA