



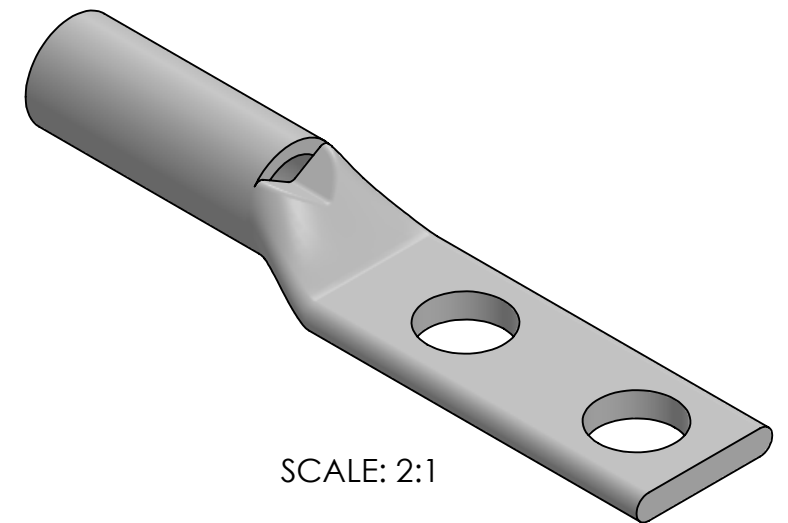
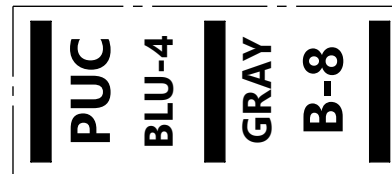
DWG. NO.	REV.	REV.	CAT. NO.	SUFFIX	STUD HOLE	DIMENSIONS					APPROX. WEIGHT (LB)	STRIP LENGTH	
						A	B	C	D	E			F
BLU-4D	-												
	07		BLU-4D2TC14	2TC14	#10	2.33	1.22	.81	.09	.50	.63	0.028	.94
	01		BLU-4D2TC14E2	2TC14E2	1/4	2.43	1.36	.81	.09	.50	.75	0.030	
	01		BLU-4D2TC14E1	2TC14E1	1/4	2.68	1.61	.81	.09	.50	1.00	0.033	
	02		BLU-4D2TC516	2TC516	1/4	2.78	1.70	.81	.08	.61	1.00	0.036	
	02		BLU-4D2TC38	2TC38	5/16	2.87	1.81	.81	.08	.61	1.00	0.035	
03		BLU-4D1	1	3/8	3.90	2.83	.81	.10	.92	1.75	0.084		

METAL STAMP TO READ:

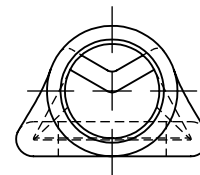
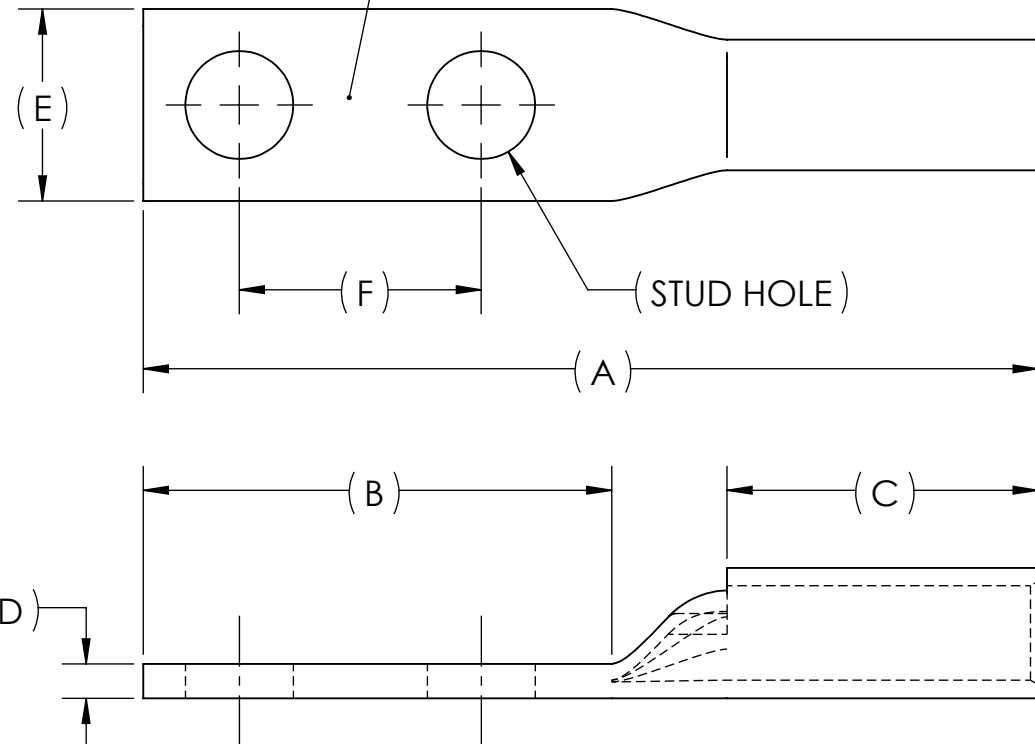
1. 4
2. CU
3. "SUFFIX"
4. DB
5. 
6. 

USE BELOW OPTIONAL SUFFIXES FOR ALTERNATE LUG CONFIGURATIONS:
 -45 FOR 45° BENT PAD
 -90 FOR 90° BENT PAD
 -FL FOR FLARED BARREL ENTRY
 -U FOR UNDRILLED PAD
 EXAMPLE: BLU-4D2TC14E2-FL

INK STAMP REFERENCE



SCALE: 2:1




NOTES:

1. ALL DIMENSIONS IN INCHES UNLESS OTHERWISE SPECIFIED
2. SEE INSTALLATION SHEET FOR WIRE SIZE AND TOOLING RECOMMENDATIONS
3. TIN-PLATED TO INHIBIT CORROSION
4. RATED FOR COPPER CONDUCTORS ONLY
5. BEVELED ENTRY FOR EASY CABLE INSERTION
6. INSPECTION WINDOW TO ENSURE FULL CABLE INSERTION
7. CONNECTORS ARE SUITABLE FOR VOLTAGES UP TO 35 KV
8. FOR APPLICATIONS GREATER THAN 2000 VOLTS, CONSULT CABLE MANUFACTURER FOR VOLTAGE STRESS RELIEF INSTRUCTIONS
9. CONNECTORS ARE UL LISTED PER UL486A-B AND CSA CERTIFIED PER C22.2 NO.65 FOR POWER APPLICATIONS UP TO 90°C
10. CONNECTORS ARE UL LISTED FOR GROUNDING, BONDING, AND DIRECT BURIAL APPLICATIONS PER UL467
11. CONNECTORS ARE CSA CERTIFIED FOR GROUNDING, BONDING, AND DIRECT BURIAL APPLICATIONS PER C22.2 NO.41



NO.	ECN	DATE
REVISIONS		

QTY.	PT.	NAME OR DESCRIPTION
	X	COPPER TUBING
		PENN-CRIMP LUG for 4 AWG COPPER CONDUCTORS
REF. DWG'S: 2H03-48397, 2H03-55232, 2H03-55231, 5H03-97780, 5H03-97781, 5H03-97756 H:\2H03\BLU-4D		
DRAWN BY: DT DATE: 2/22/2023 CHK'D: QJB		
SCALE: 2:1 INTERPRET PER ASME Y14.5-2009 FILE: 2H03		
SIZE: B	DWG. NO. BLU-4D	REV. -
 229 WATERFORD STREET EDINBORO, PA 16412 USA		