

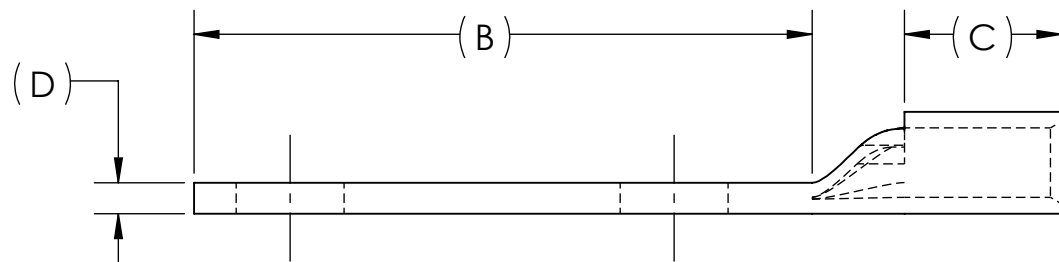
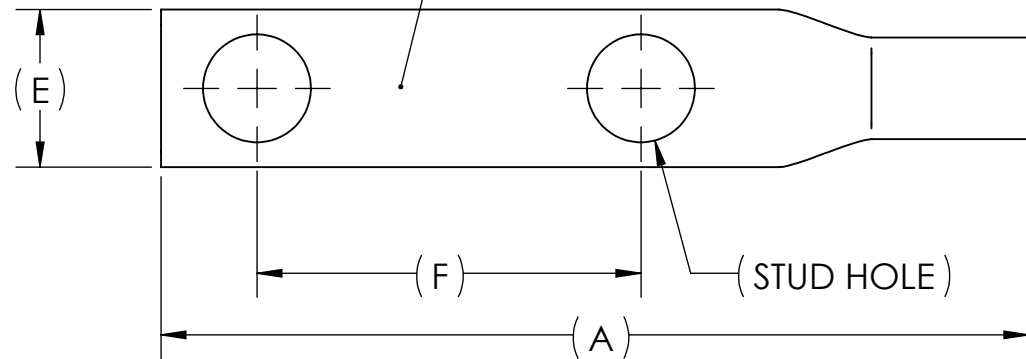


DWG. NO. **BLU-8D** REV. -

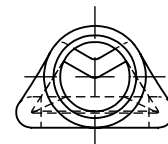
REV.	CAT. NO.	SUFFIX	STUD HOLE	DIMENSIONS						APPROX. WEIGHT (LB)	STRIP LENGTH
				A	B	C	D	E	F		
10	BLU-8D2TC10	2TC10	#10	1.78	1.13	.41	.08	.37	.63	0.015	.50
01	BLU-8D2TC14	2TC14	1/4	1.88	1.22	.41	.08	.41	.63	0.015	
01	BLU-8D2TC14E2	2TC14E2	1/4	2.01	1.36	.41	.08	.41	.75	0.017	
01	BLU-8D2TC14E1	2TC14E1	1/4	2.26	1.61	.41	.08	.41	1.00	0.019	

METAL STAMP TO READ:

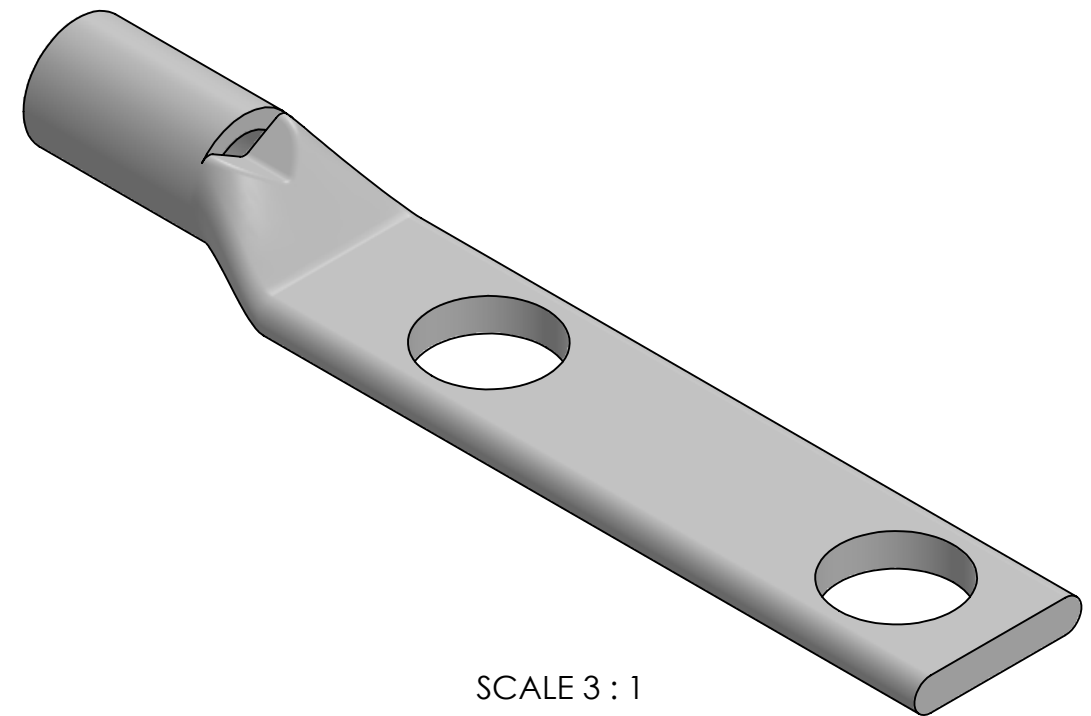
1. 8
2. CU
3. "SUFFIX"
4. DB
5. 
6. 



INK STAMP REFERENCE



USE BELOW OPTIONAL SUFFIXES FOR ALTERNATE LUG CONFIGURATIONS:  
 -45 FOR 45° BENT PAD  
 -90 FOR 90° BENT PAD  
 -FL FOR FLARED BARREL ENTRY  
 -U FOR UNDRILLED PAD  
 EXAMPLE: BLU-8D2TC14E2-FL



SCALE 3 : 1

NOTES:

1. ALL DIMENSIONS IN INCHES UNLESS OTHERWISE SPECIFIED
2. SEE INSTALLATION SHEET FOR WIRE SIZE AND TOOLING RECOMMENDATIONS
3. TIN-PLATED TO INHIBIT CORROSION
4. RATED FOR COPPER CONDUCTORS ONLY
5. BEVELED ENTRY FOR EASY CABLE INSERTION
6. INSPECTION WINDOW TO ENSURE FULL CABLE INSERTION
7. CONNECTORS ARE SUITABLE FOR VOLTAGES UP TO 35 KV
8. FOR APPLICATIONS GREATER THAN 2000 VOLTS, CONSULT CABLE MANUFACTURER FOR VOLTAGE STRESS RELIEF INSTRUCTIONS
9. CONNECTORS ARE UL LISTED PER UL486A-B AND CSA CERTIFIED PER C22.2 NO.65 FOR POWER APPLICATIONS UP TO 90°C
10. CONNECTORS ARE UL LISTED FOR GROUNDING, BONDING, AND DIRECT BURIAL APPLICATIONS PER UL467
11. CONNECTORS ARE CSA CERTIFIED FOR GROUNDING, BONDING, AND DIRECT BURIAL APPLICATIONS PER C22.2 NO.41



NO.	ECN	DATE
REVISIONS		

		X		COPPER TUBING	
QTY.	PT.	NAME OR DESCRIPTION			
		PENN-CRIMP LUG			
		for			
		8 AWG COPPER CONDUCTORS			
		REF. DWG'S: 2H03-48363, 2H03-55220, 2H03-55222, 2H03-55221		H:\2H03\BLU-8D	
		DRAWN BY: DT		DATE: 2/22/2023	CHK'D: QJB
		SCALE: 2:1	INTERPRET PER ASME Y14.5-2009		FILE: 2H03
		SIZE: B	DWG. NO.	BLU-8D	
		SEE TABLE	CAT. NO.	REV.	-
		229 WATERFORD STREET EDINBORO, PA 16412 USA			