



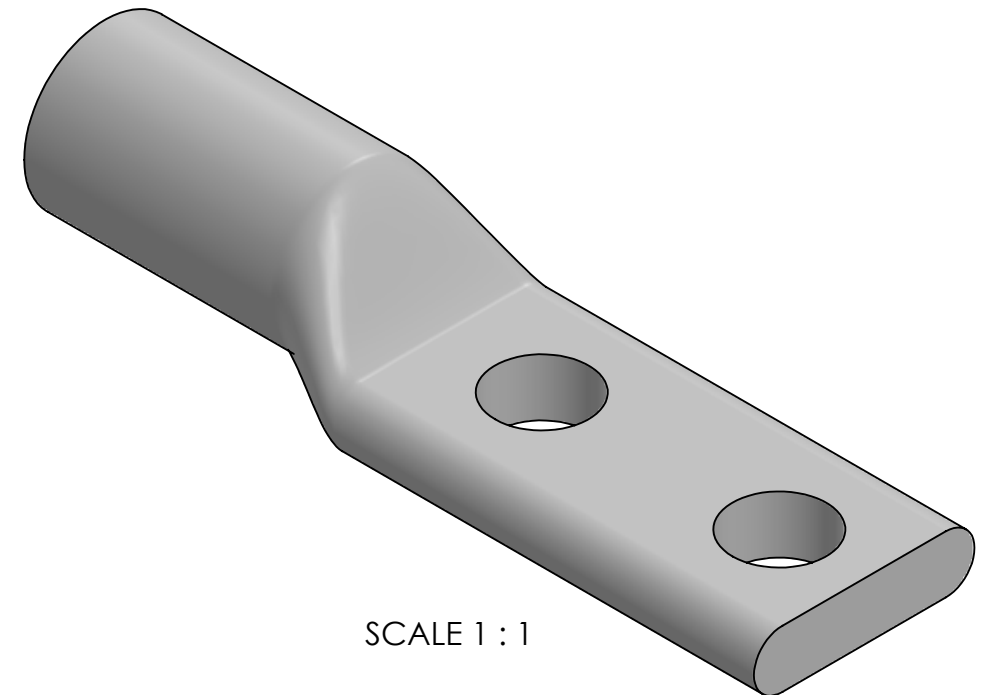
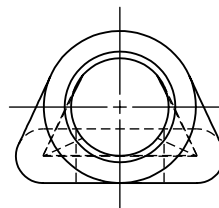
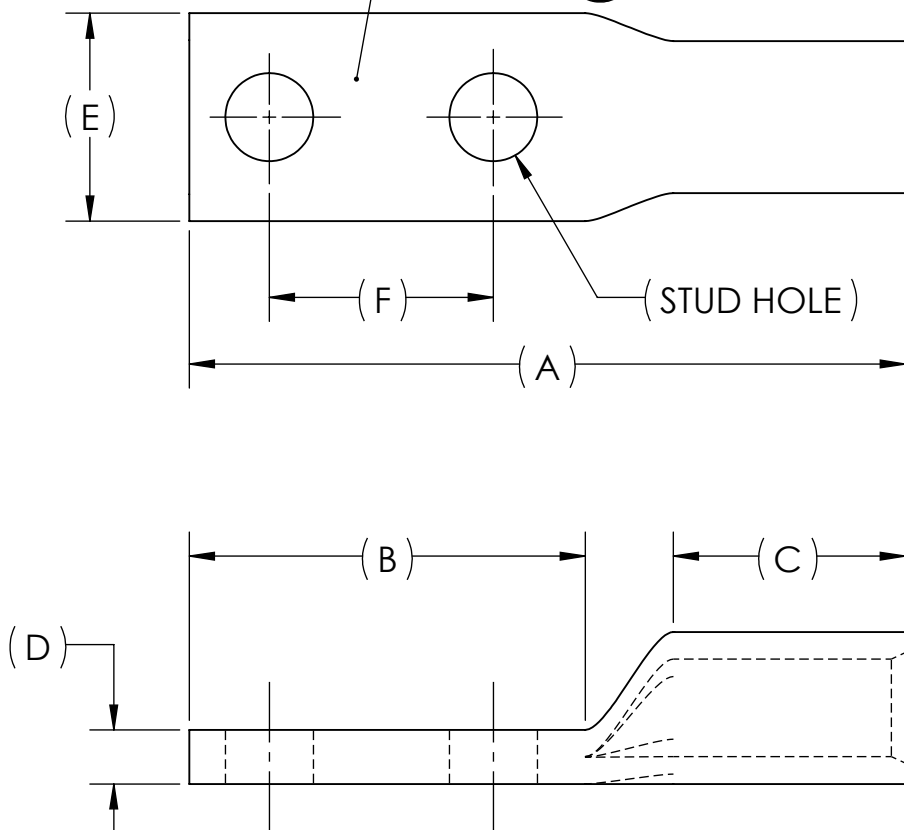
DWG. NO. **BLUA-040D** REV. -

REV.	CAT. NO.	SUFFIX	STUD HOLE	DIMENSIONS						APPROX. WEIGHT (LB)	STRIP LENGTH
				A	B	C	D	E	F		
06	BLUA-040D1	D1	3/8	4.56	2.06	1.81	.42	1.63	1.00	0.910	2.00
10	BLUA-040D2	D2	1/2	5.63	3.13	1.81	.42	1.63	1.75	1.105	
10	BLUA-040D	D	5/8	5.59	3.09	1.81	.42	1.63	1.75	1.065	

METAL STAMP TO READ:

- 400
- AL9CU
- "SUFFIX"
- "STUD HOLE"
- 
- 

INK STAMP REFERENCE




SCALE 1 : 1

NOTES:

- ALL DIMENSIONS IN INCHES UNLESS OTHERWISE SPECIFIED
- SEE INSTALLATION SHEET FOR WIRE SIZE AND TOOLING RECOMMENDATIONS
- TIN-PLATED AND FACTORY PREFILLED WITH OXIDE INHIBITOR
- RATED FOR ALUMINUM AND COPPER CONDUCTORS UP TO 90°C
- BEVELED ENTRY FOR EASY CABLE INSERTION
- END CAPS PROVIDED TO PREVENT FOREIGN MATERIALS FROM ENTERING AND CONTAMINATING THE CONNECTOR PRIOR TO USE
- CONNECTORS ARE SUITABLE FOR VOLTAGES UP TO 35 KV
- FOR APPLICATIONS GREATER THAN 2000 VOLTS, CONSULT CABLE MANUFACTURER FOR VOLTAGE STRESS RELIEF INSTRUCTIONS
- CONNECTORS ARE UL LISTED PER UL486A-B AND CSA CERTIFIED PER C22.2 NO.65 FOR POWER APPLICATIONS UP TO 90°C



NO.	ECN	DATE
REVISIONS		

		ALUMINUM TUBING	
QTY.	PT.	NAME OR DESCRIPTION	
		PENN-CRIMP LUG	
		for	
		400 MCM ALUMINUM AND COPPER CONDUCTORS	
		REF. DWG'S: 4H29-53788, 4H29-42950, 4H29-41106	H:\4H29\BLUA-040D
			DRAWN BY: DT DATE: 6/30/2023 CHK'D: QJB
		229 WATERFORD STREET EDINBORO, PA 16412 USA	SCALE: 2:3 INTERPRET PER ASME Y14.5-2009 FILE: 4H29
SEE TABLE	CAT. NO.	DWG. NO. <b>BLUA-040D</b>	REV. -