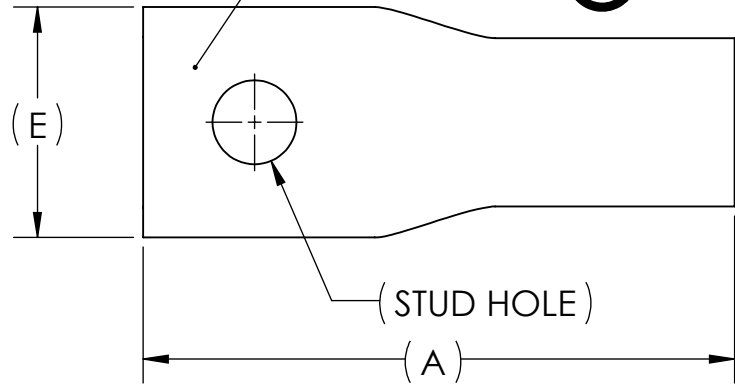


DWG. NO. **BLUA-050S** REV. -

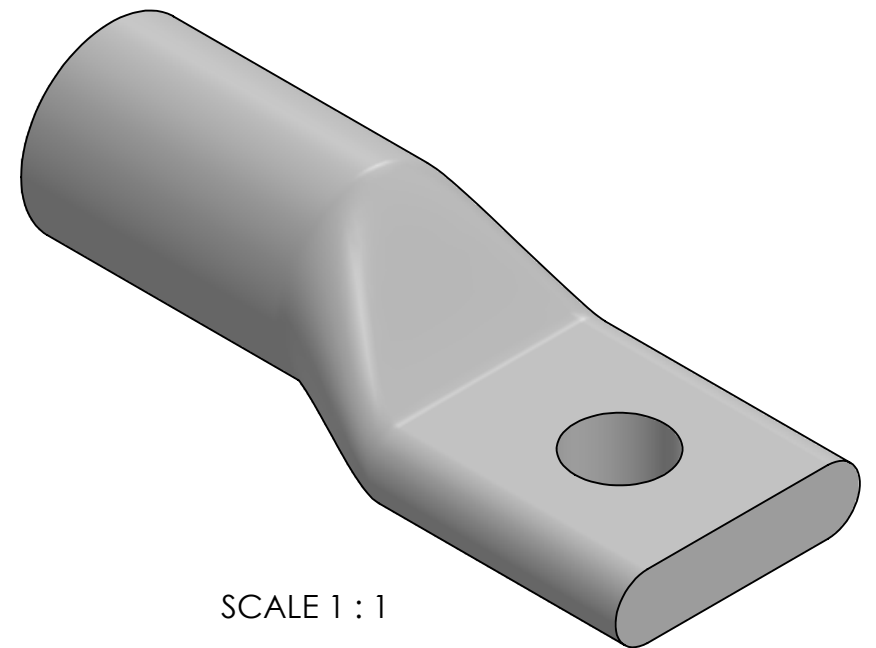
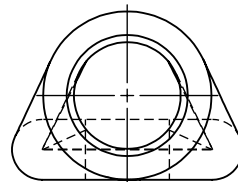
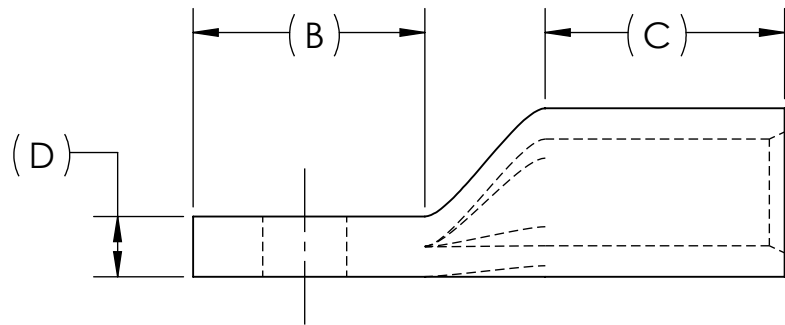
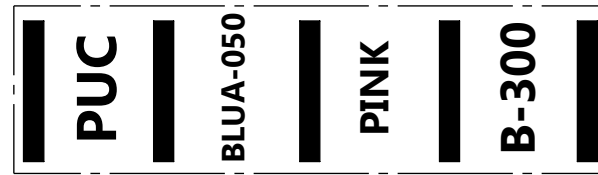
REV.	CAT. NO.	SUFFIX	STUD HOLE	DIMENSIONS					APPROX. WEIGHT (LB)	STRIP LENGTH
				A	B	C	D	E		
07	BLUA-050S2	S2	1/2	4.31	1.50	1.88	.47	1.80	1.075	2.06
06	BLUA-050S3	S3	5/8	4.62	1.81	1.87	.47	1.80	1.142	

METAL STAMP TO READ:

1. 500
2. AL9CU
3. "SUFFIX"
4. "STUD HOLE"
5. 
6. 



INK STAMP REFERENCE




SCALE 1 : 1

NOTES:

1. ALL DIMENSIONS IN INCHES UNLESS OTHERWISE SPECIFIED
2. SEE INSTALLATION SHEET FOR WIRE SIZE AND TOOLING RECOMMENDATIONS
3. TIN-PLATED AND FACTORY PREFILLED WITH OXIDE INHIBITOR
4. RATED FOR ALUMINUM AND COPPER CONDUCTORS UP TO 90°C
5. BEVELED ENTRY FOR EASY CABLE INSERTION
6. END CAPS PROVIDED TO PREVENT FOREIGN MATERIALS FROM ENTERING AND CONTAMINATING THE CONNECTOR PRIOR TO USE
7. CONNECTORS ARE SUITABLE FOR VOLTAGES UP TO 35 KV
8. FOR APPLICATIONS GREATER THAN 2000 VOLTS, CONSULT CABLE MANUFACTURER FOR VOLTAGE STRESS RELIEF INSTRUCTIONS
9. CONNECTORS ARE UL LISTED PER UL486A-B AND CSA CERTIFIED PER C22.2 NO.65 FOR POWER APPLICATIONS UP TO 90°C



NO.	ECN	DATE
REVISIONS		

QTY.	PT.	NAME OR DESCRIPTION
	X	ALUMINUM TUBING
		PENN-CRIMP LUG for 500 MCM ALUMINUM AND COPPER CONDUCTORS
REF. DWG'S: 4H29-46652, 4H29-47799		H:\4H29\BLUA-050S
DRAWN BY: DT DATE: 6/29/2023 CHK'D: QJB		
SCALE: 2:3 INTERPRET PER ASME Y14.5-2009 FILE: 4H29		
SIZE: B	DWG. NO.	REV.
	BLUA-050S	-

PENNUNION
229 WATERFORD STREET
EDINBORO, PA 16412 USA