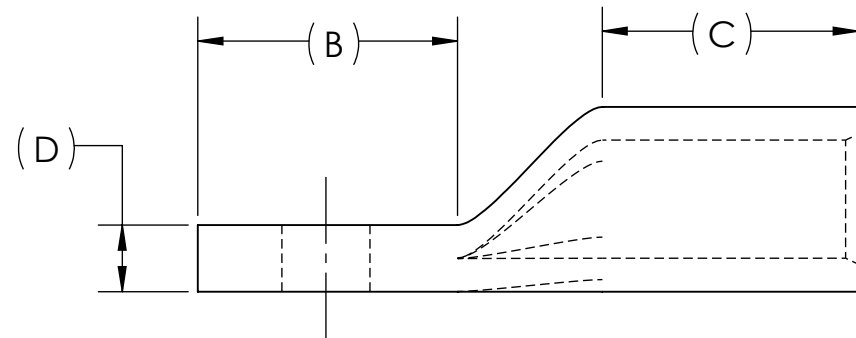
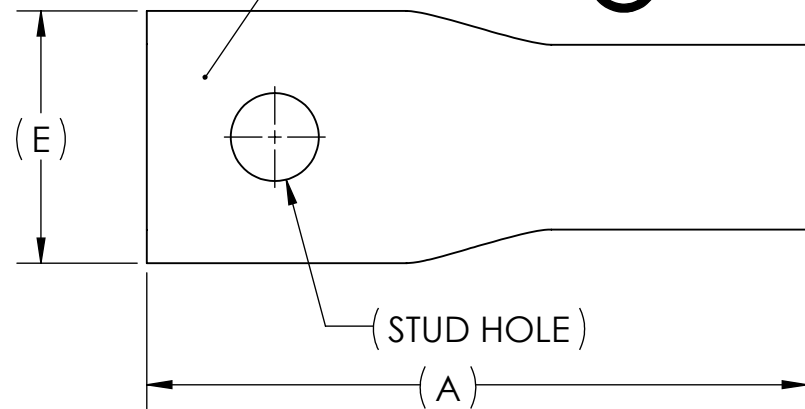


DWG. NO. **BLUA-060S** REV. -

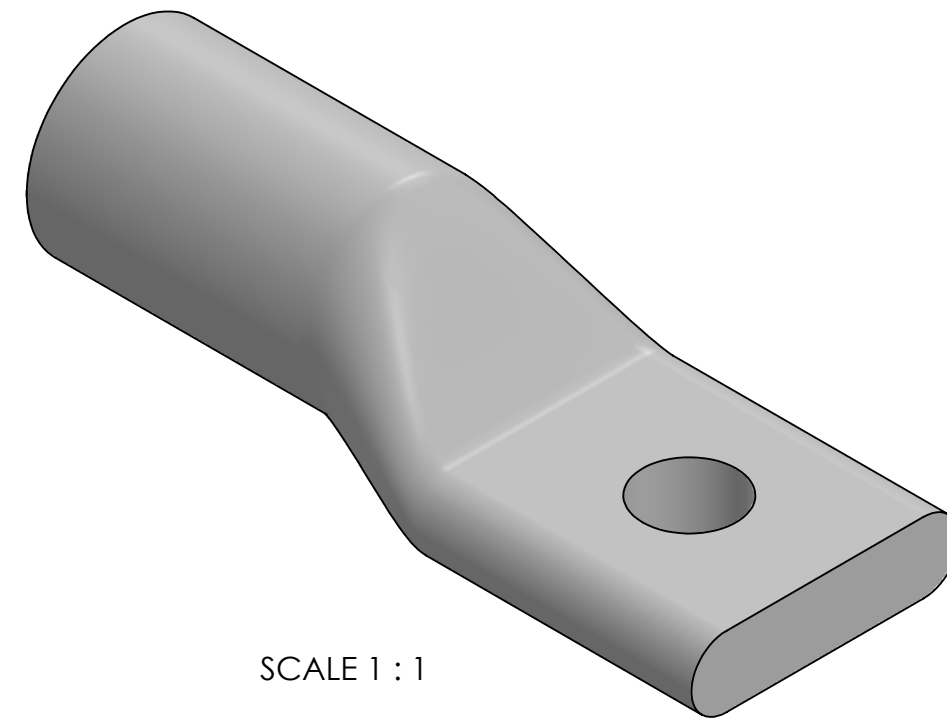
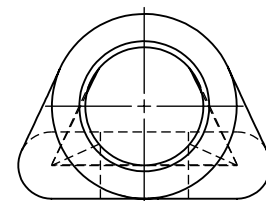
REV.	CAT. NO.	SUFFIX	STUD HOLE	DIMENSIONS					APPROX. WEIGHT (LB)	STRIP LENGTH
				A	B	C	D	E		
06	BLUA-060S1	S1	5/8	5.16	2.03	2.00	.52	1.97	1.539	2.13

METAL STAMP TO READ:

1. 600
2. AL9CU
3. "SUFFIX"
4. "STUD HOLE"
5. 
6. 



INK STAMP REFERENCE




SCALE 1 : 1

NOTES:

1. ALL DIMENSIONS IN INCHES UNLESS OTHERWISE SPECIFIED
2. SEE INSTALLATION SHEET FOR WIRE SIZE AND TOOLING RECOMMENDATIONS
3. TIN-PLATED AND FACTORY PREFILLED WITH OXIDE INHIBITOR
4. RATED FOR ALUMINUM AND COPPER CONDUCTORS UP TO 90°C
5. BEVELED ENTRY FOR EASY CABLE INSERTION
6. END CAPS PROVIDED TO PREVENT FOREIGN MATERIALS FROM ENTERING AND CONTAMINATING THE CONNECTOR PRIOR TO USE
7. CONNECTORS ARE SUITABLE FOR VOLTAGES UP TO 35 KV
8. FOR APPLICATIONS GREATER THAN 2000 VOLTS, CONSULT CABLE MANUFACTURER FOR VOLTAGE STRESS RELIEF INSTRUCTIONS
9. CONNECTORS ARE UL LISTED PER UL486A-B AND CSA CERTIFIED PER C22.2 NO.65 FOR POWER APPLICATIONS UP TO 90°C



NO.	ECN	DATE
REVISIONS		

		ALUMINUM TUBING	
QTY.	PT.	NAME OR DESCRIPTION	
		PENN-CRIMP LUG for 600 MCM ALUMINUM AND COPPER CONDUCTORS	
REF. DWG'S: 4H29-47764		H:\4H29\BLUA-060S	
 229 WATERFORD STREET EDINBORO, PA 16412 USA		DRAWN BY: DT	DATE: 6/29/2023
		CHK'D: QJB	FILE: 4H29
SCALE: 2:3	INTERPRET PER ASME Y14.5-2009		
SIZE: B	DWG. NO. BLUA-060S	REV. -	