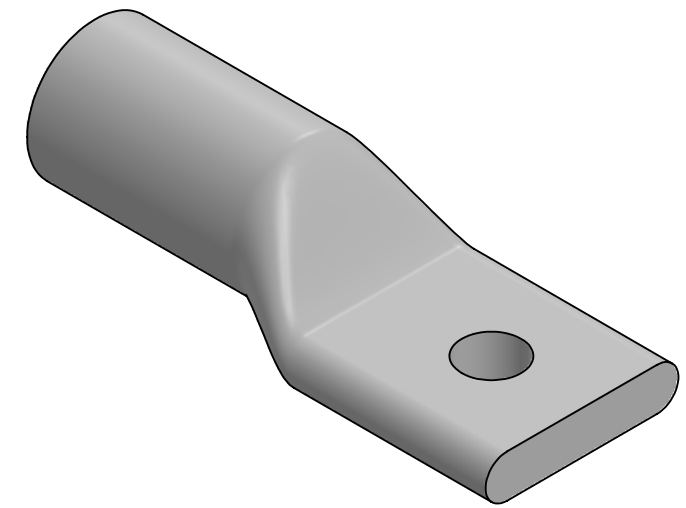
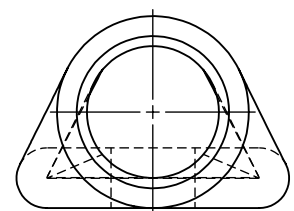
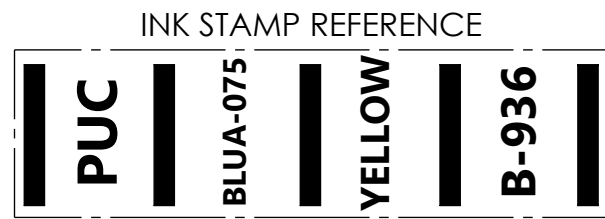
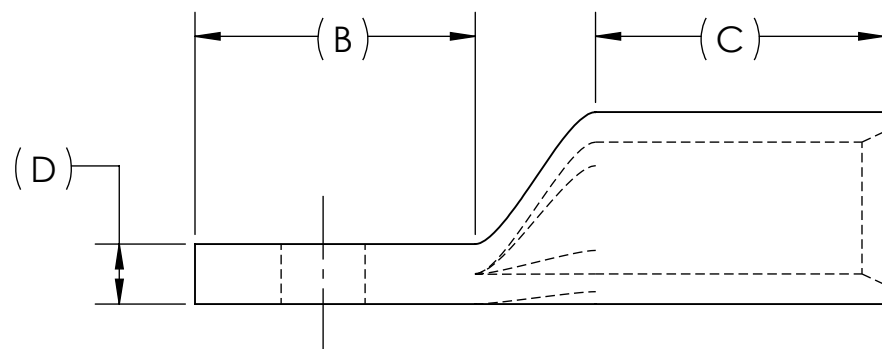
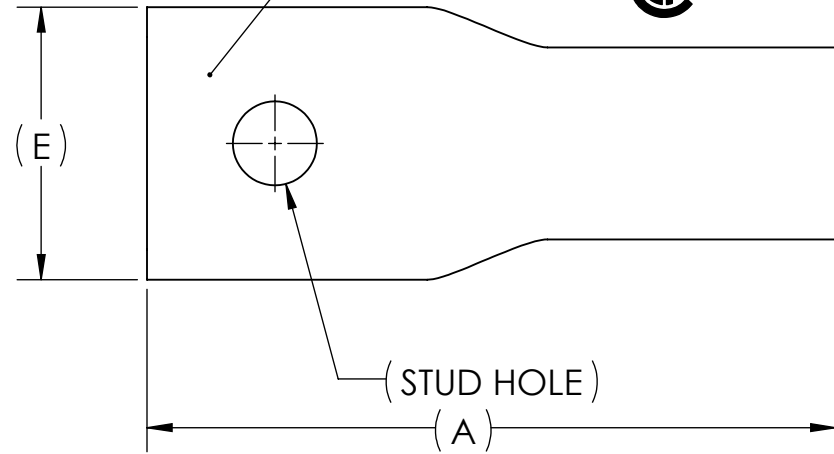


DWG. NO. **BLUA-075S** REV. -

REV.	CAT. NO.	SUFFIX	STUD HOLE	DIMENSIONS					APPROX. WEIGHT (LB)	STRIP LENGTH
				A	B	C	D	E		
08	BLUA-075S1	S1	5/8	5.38	2.19	2.25	.47	2.13	1.576	2.38

METAL STAMP TO READ:

1. 750
2. AL9CU
3. "SUFFIX"
4. "STUD HOLE"
5. 
6. 




NOTES:

1. ALL DIMENSIONS IN INCHES UNLESS OTHERWISE SPECIFIED
2. SEE INSTALLATION SHEET FOR WIRE SIZE AND TOOLING RECOMMENDATIONS
3. TIN-PLATED AND FACTORY PREFILLED WITH OXIDE INHIBITOR
4. RATED FOR ALUMINUM AND COPPER CONDUCTORS UP TO 90°C
5. BEVELED ENTRY FOR EASY CABLE INSERTION
6. END CAPS PROVIDED TO PREVENT FOREIGN MATERIALS FROM ENTERING AND CONTAMINATING THE CONNECTOR PRIOR TO USE
7. CONNECTORS ARE SUITABLE FOR VOLTAGES UP TO 35 KV
8. FOR APPLICATIONS GREATER THAN 2000 VOLTS, CONSULT CABLE MANUFACTURER FOR VOLTAGE STRESS RELIEF INSTRUCTIONS
9. CONNECTORS ARE UL LISTED PER UL486A-B AND CSA CERTIFIED PER C22.2 NO.65 FOR POWER APPLICATIONS UP TO 90°C



NO.	ECN	DATE
REVISIONS		

		ALUMINUM TUBING	
QTY.	PT.	NAME OR DESCRIPTION	
		PENN-CRIMP LUG	
		for	
		750 MCM ALUMINUM AND COPPER CONDUCTORS	
		REF. DWG'S: 4H29-47936	H:\4H29\BLUA-075S
			DRAWN BY: DT DATE: 6/29/2023 CHK'D: QJB
		229 WATERFORD STREET EDINBORO, PA 16412 USA	SCALE: 2:3 INTERPRET PER ASME Y14.5-2009 FILE: 4H29
SEE TABLE	CAT. NO.	DWG. NO.	REV.
		BLUA-075S	-