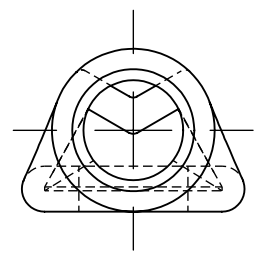
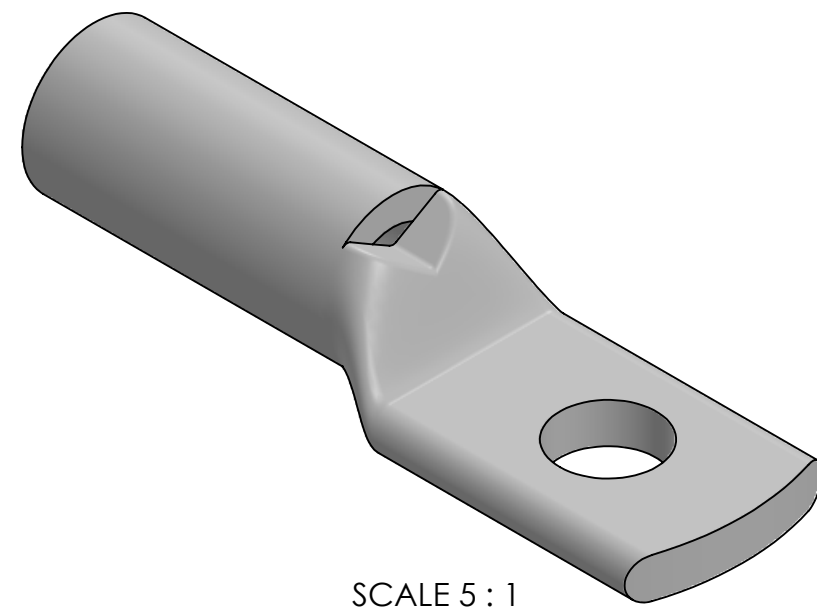
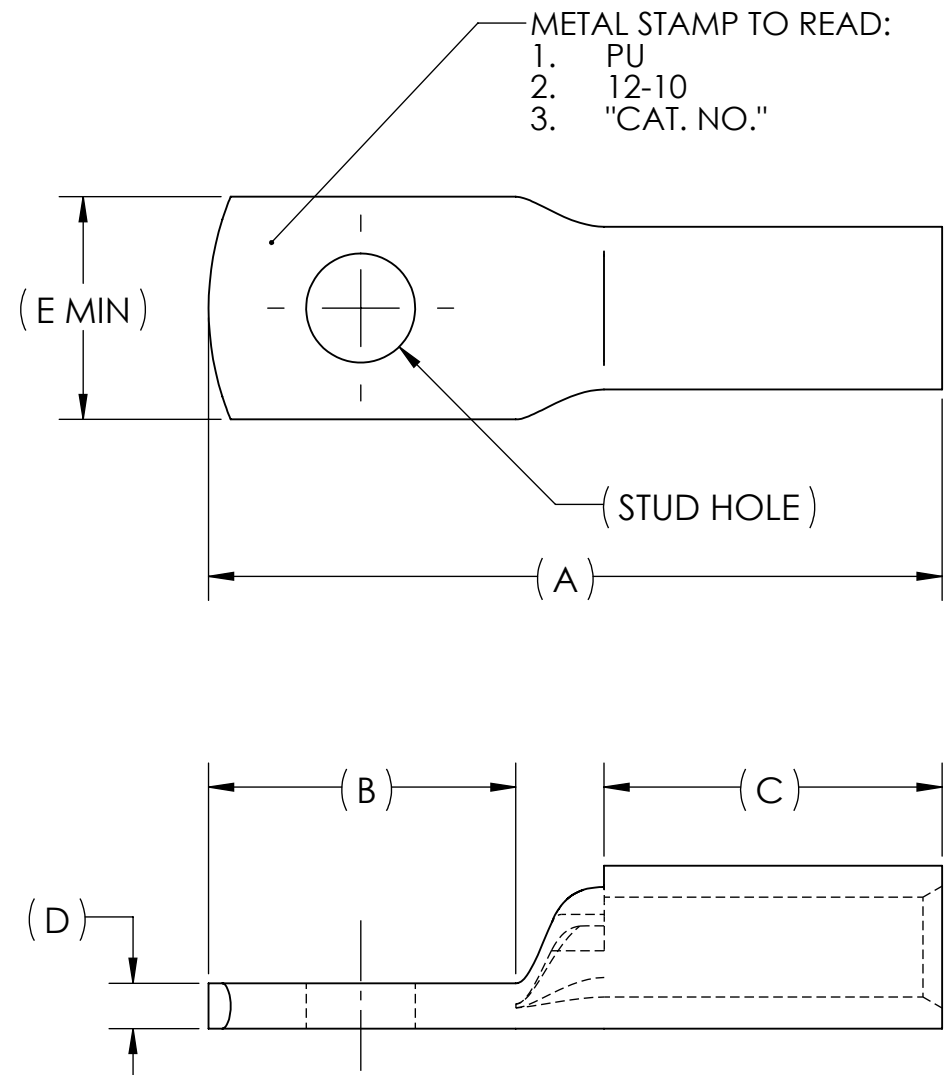


DWG. NO. **BLY10** REV. **2**

CAT. NO.	STUD HOLE	DIMENSIONS					INSTALLATION TOOL	APPROX. WEIGHT (LB)
		A	B	C	D	E		
BLY10-T7	#4-6	.96	.40	.44	.06	.29	BURNDY Y8MRBI MR8G98 Y10D Y14MV	0.006
BLY10-L36	#8-10	.80	.40	.44	.06	.28		0.005



- NOTES:
1. ALL DIMENSIONS IN INCHES UNLESS OTHERWISE SPECIFIED
 2. TIN-PLATED TO INHIBIT CORROSION
 3. RATED FOR COPPER CONDUCTORS ONLY
 4. BEVELED ENTRY FOR EASY CABLE INSERTION
 5. INSPECTION WINDOW TO ENSURE FULL CABLE INSERTION
 6. ROUNDED TONGUE ACCOMMODATES FULL WASHER CLEARANCE AND ADJUSTABLE LUG ORIENTATION
 7. CONNECTORS ARE SUITABLE FOR VOLTAGES UP TO 35 KV
 8. FOR APPLICATIONS GREATER THAN 2000 VOLTS, CONSULT CABLE MANUFACTURER FOR VOLTAGE STRESS RELIEF INSTRUCTIONS



NO.	ECN	DATE
2	11227	11/16/2011
1	UPDATE	2/7/1992

REVISIONS

QTY.	PT.	NAME OR DESCRIPTION
	X	COPPER TUBING
		PENN-CRIMP LUG for 10 STR. AND 12 SOL.

REF. DWG'S: 2H19-54300 H:\2H19\BLY10

DRAWN BY: DT DATE: 6/16/2023 CHK'D: QJB

SCALE: 4:1 INTERPRET PER ASME Y14.5-2009 FILE: 2H19

SIZE: B DWG. NO. **BLY10** REV. **2**

SEE TABLE CAT. NO. **PENNUNION**
229 WATERFORD STREET
EDINBORO, PA 16412 USA