
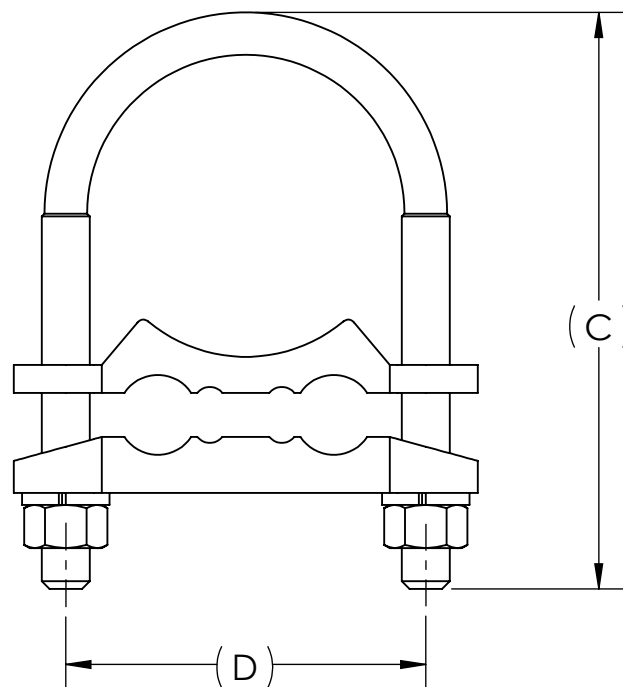
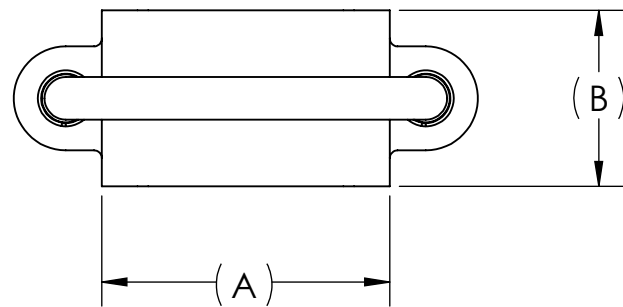


METAL STAMP TO READ:

1. PU OR PUC
2. "CAT. NO."
3. "I.P.S. SIZE"
4. "CONDUCTOR RANGE"
5. DB (EXCEPT NON-UL PARTS)
6. "INSTALLATION TORQUE"
7.  (EXCEPT NON-UL PARTS)

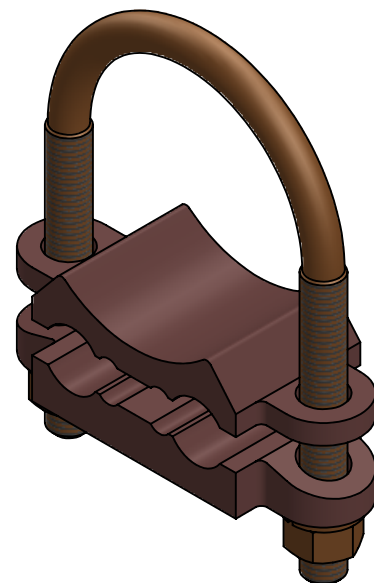


REV.	CAT. NO.	I.P.S. SIZE	CONDUCTOR RANGE	DIMENSIONS				BOLT SIZE	HEX SIZE	INSTALLATION TORQUE (IN•LB) (SEE NOTE 2)
				A	B	C	D			
06	GU-0	3/4	8 SOL.-4 STR.	2.50	.88	2.63	1.50	3/8	9/16	-
06	GU-00		4 SOL.-2/0 STR.	2.50	.88	2.63	1.50	3/8	9/16	-
04	GU-1	1	8 SOL.-4 STR.	2.75	1.13	3.00	1.75	3/8	9/16	-
08	GU-2		4 SOL.-2/0 STR.	2.75	1.13	3.25	1.75	3/8	9/16	-
08	GU-3	1 1/4	2/0 SOL.-250 MCM	2.75	1.25	3.50	1.75	3/8	9/16	240
04	GU-4		8 SOL.-4 STR.	3.00	1.13	3.25	2.06	3/8	9/16	240
07	GU-5	1 1/2	4 SOL.-2/0 STR.	3.00	1.25	3.50	2.06	3/8	9/16	240
07	GU-6		2/0 SOL.-250 MCM	3.00	1.38	3.75	2.06	3/8	9/16	240
06	GU-7	1 1/2	8 SOL.-4 STR.	3.38	1.25	3.50	2.38	3/8	9/16	-
07	GU-8		4 SOL.-2/0 STR.	3.38	1.38	3.63	2.38	3/8	9/16	240
07	GU-9	2	2/0 SOL.-250 MCM	3.38	1.50	3.75	2.38	3/8	9/16	240
06	GU-10		8 SOL.-4 STR.	3.75	1.38	3.88	2.81	3/8	9/16	-
06	GU-11	2	4 SOL.-2/0 STR.	3.75	1.38	4.13	2.81	3/8	9/16	240
08	GU-12		2/0 SOL.-250 MCM	3.75	1.38	4.25	2.81	3/8	9/16	240
07	GU-13	2 1/2	300-500 MCM	4.00	1.50	4.63	2.94	1/2	3/4	240
06	GU-14		8 SOL.-4 STR.	4.25	1.38	5.00	3.31	3/8	9/16	-
06	GU-15	2 1/2	4 SOL.-2/0 STR.	4.25	1.38	5.13	3.31	3/8	9/16	240
07	GU-16		2/0 SOL.-250 MCM	4.25	1.38	5.25	3.31	3/8	9/16	240
03	GU-17*	-	300-500 MCM	4.50	1.50	5.50	3.44	1/2	3/4	-
-	GU-18*		500-750 MCM	4.50	1.56	5.44	3.44	1/2	3/4	-


*NOT cULus LISTED

NOTES:


1. ALL DIMENSIONS IN INCHES UNLESS OTHERWISE SPECIFIED
2. FOR TIN PLATING, SUFFIX CATALOG NUMBER WITH "-TN"
3. UNASSIGNED TORQUE VALUES PER UL 486A-B FOR MECHANICAL CONNECTORS
4. MANUFACTURED FROM HIGH COPPER CONTENT ALLOY
5. USED TO CONNECT TWO PARALLEL CABLES OR A LOOPED CABLE TO WATER PIPE OR TUBE
6. CONNECTORS ARE cULus LISTED FOR GROUNDING, BONDING, AND DIRECT BURIAL APPLICATIONS PER UL 467

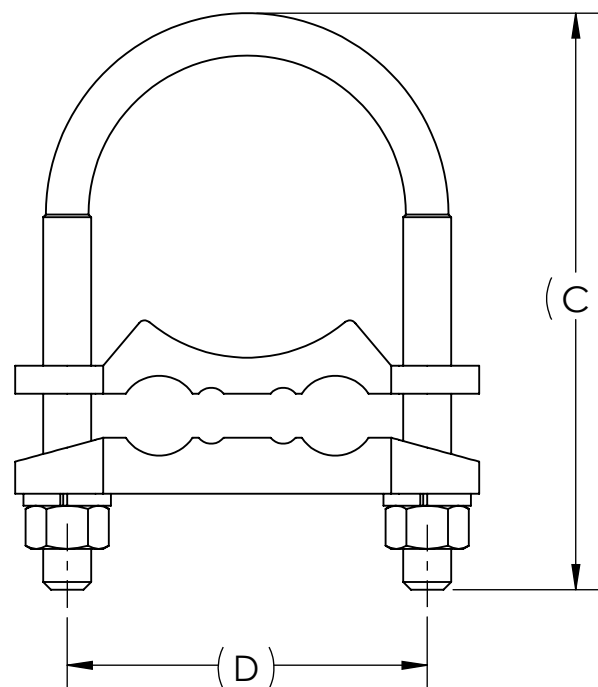
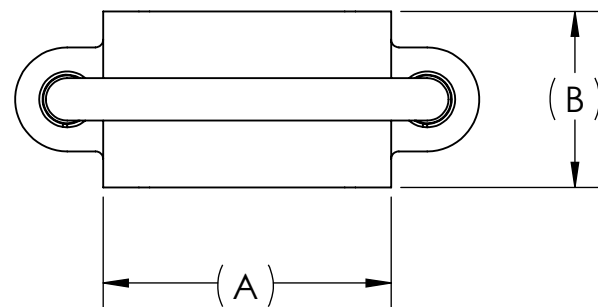


2	SILICON BRONZE LOCK WASHER
2	SILICON BRONZE HEX NUT
1	SILICON BRONZE BOLT
1	BRONZE CLAMP CAP
1	BRONZE CLAMP BODY

QTY.	PT.	NAME OR DESCRIPTION
BRONZE GROUND CLAMP		
for COPPER CONDUCTORS TO WATER PIPE OR TUBE		
REF. DWG'S: 1N37-16263		H:\1N37\GU SERIES
DRAWN BY: DT		DATE: 10/31/2023
SCALE: 2:3		CHK'D: QJB
INTERPRET PER ASME Y14.5-2009		FILE: 1N37
SIZE: B	DWG. NO.	REV.
	GU SERIES	-
229 WATERFORD STREET EDINBORO, PA 16412 USA		SHEET 1 OF 2

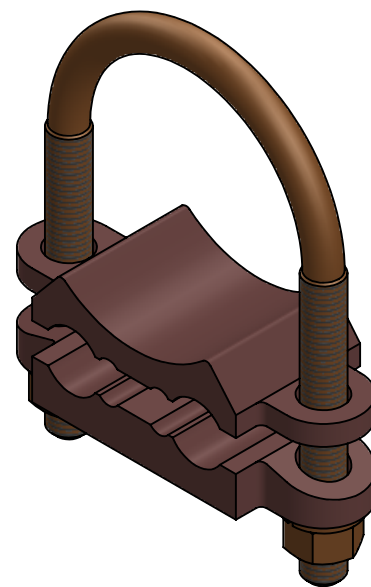
METAL STAMP TO READ:

1. PU OR PUC
2. "CAT. NO."
3. "I.P.S. SIZE"
4. "CONDUCTOR RANGE"
5. DB (EXCEPT NON-UL PARTS)
6. "INSTALLATION TORQUE"
7.  (EXCEPT NON-UL PARTS)



REV.	CAT. NO.	I.P.S. SIZE	CONDUCTOR RANGE	DIMENSIONS				BOLT SIZE	HEX SIZE	INSTALLATION TORQUE (IN•LB) (SEE NOTE 2)
				A	B	C	D			
07	GU-19	3	8 SOL.-4 STR.	5.00	1.38	5.25	3.94	3/8	9/16	-
07	GU-20		4 SOL.-2/0 STR.	5.00	1.38	5.50	3.94	3/8	9/16	240
07	GU-21		2/0 SOL.-250 MCM	5.00	1.38	5.75	3.94	3/8	9/16	240
05	GU-22*		300-500 MCM	5.25	1.50	6.00	4.06	1/2	3/4	-
-	GU-23*		500-750 MCM	5.50	1.75	6.38	4.19	1/2	3/4	-
06	GU-25	3 1/2	8 SOL.-4 STR.	5.50	1.50	6.00	4.44	3/8	9/16	-
07	GU-26		4 SOL.-2/0 STR.	5.50	1.50	6.13	4.44	3/8	9/16	240
08	GU-27		2/0 SOL.-250 MCM	5.50	1.50	6.25	4.44	3/8	9/16	240
02	GU-28		300-500 MCM	5.75	1.75	6.38	4.56	1/2	3/4	-
-	GU-29*		500-750 MCM	6.00	1.88	6.63	4.69	1/2	3/4	-
-	GU-30*		750-1000 MCM	6.00	2.13	7.00	4.69	1/2	3/4	-
07	GU-31	4	8 SOL.-4 STR.	6.00	1.50	6.50	4.94	3/8	9/16	-
07	GU-32		4 SOL.-2/0 STR.	6.00	1.50	6.75	4.94	3/8	9/16	240
07	GU-33		2/0 SOL.-250 MCM	6.00	1.63	7.00	4.94	3/8	9/16	240
06	GU-34*		300-500 MCM	6.25	1.63	7.25	5.06	1/2	3/4	-
02	GU-35*		500-750 MCM	6.50	1.88	7.50	5.19	1/2	3/4	-
-	GU-36*		750-1000 MCM	6.50	2.13	7.75	5.19	1/2	3/4	-
-	GU-37*		1250-1500 MCM	6.50	2.38	8.13	5.19	1/2	3/4	-

* NOT cULus LISTED



NOTES:

1. ALL DIMENSIONS IN INCHES UNLESS OTHERWISE SPECIFIED
2. FOR TIN PLATING, SUFFIX CATALOG NUMBER WITH "-TN"
3. UNASSIGNED TORQUE VALUES PER UL 486A-B FOR MECHANICAL CONNECTORS
4. MANUFACTURED FROM HIGH COPPER CONTENT ALLOY
5. USED TO CONNECT TWO PARALLEL CABLES OR A LOOPED CABLE TO WATER PIPE OR TUBE
6. CONNECTORS ARE cULus LISTED FOR GROUNDING, BONDING, AND DIRECT BURIAL APPLICATIONS PER UL 467

QTY.	PT.	NAME OR DESCRIPTION	
		BRONZE GROUND CLAMP for COPPER CONDUCTORS TO WATER PIPE OR TUBE	
		REF. DWG'S: 1N37-16263	H:\1N37\GU SERIES
			DRAWN BY: DT DATE: 10/31/2023 CHK'D: QJB
		229 WATERFORD STREET EDINBORO, PA 16412 USA	SCALE: 2:3 INTERPRET PER ASME Y14.5-2009 FILE: 1N37
		SEE TABLE CAT. NO.	DWG. NO. GU SERIES SHEET 2 OF 2 REV. -