
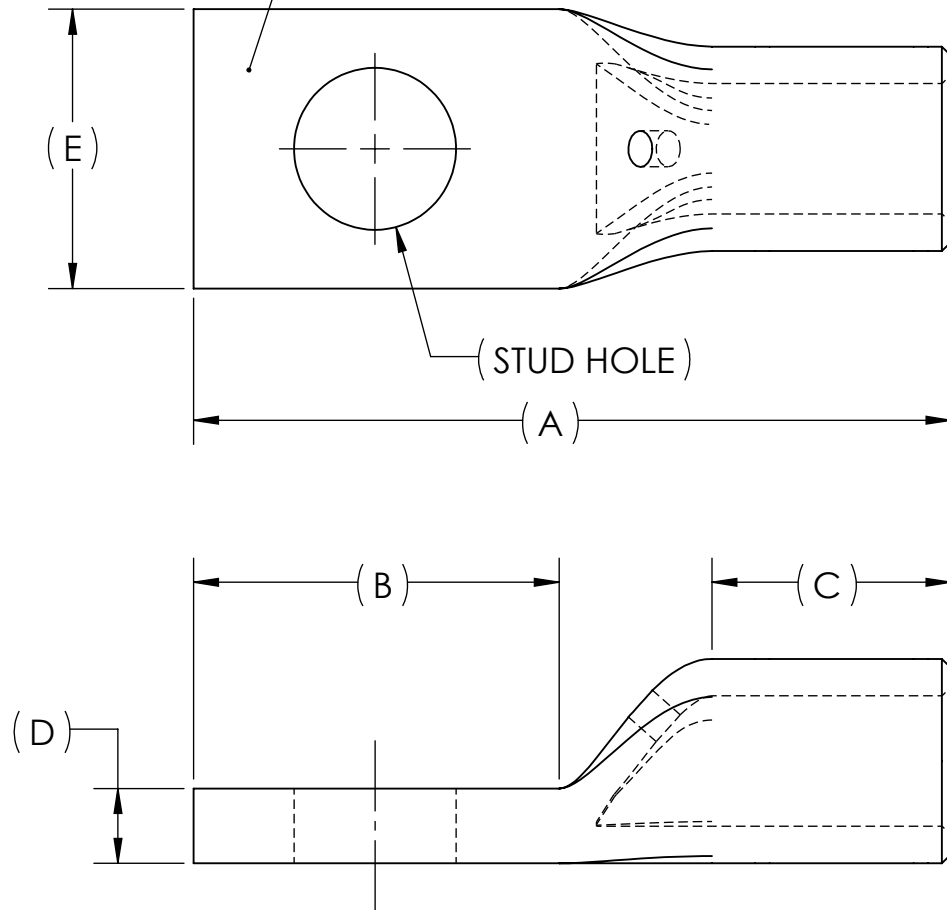


DWG. NO. **HBBLU-2/0S-GND** REV. **-**

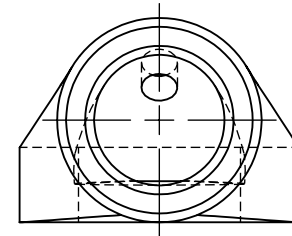
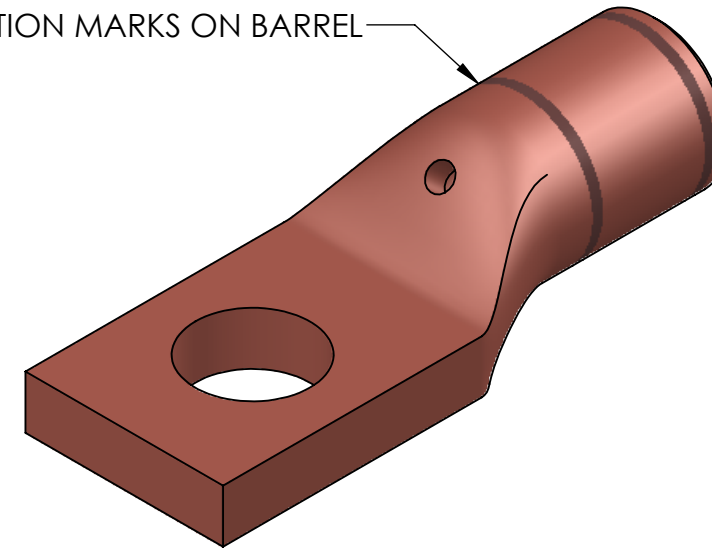
REV.	CAT. NO.	STUD HOLE	DIMENSIONS					APPROX. WEIGHT (LB)	STRIP LENGTH
			A	B	C	D	E		
01	HBBLU-2/0S-GND	1/2	2.63	1.27	.83	.26	.97	0.190	.94

METAL STAMP TO READ:

1. PENN-UNION
2. 2/0 AWG
3. "CAT. NO."
4. DB
5. DIE 15
6. 




CRIMP LOCATION MARKS ON BARREL



NOTES:

1. ALL DIMENSIONS IN INCHES UNLESS OTHERWISE SPECIFIED
2. FOR TIN PLATING, SUFFIX CATALOG NUMBER WITH "-TN"
3. SEE INSTALLATION SHEET FOR WIRE SIZE AND TOOLING RECOMMENDATIONS
4. RATED FOR COPPER CONDUCTORS ONLY
5. BEVELED ENTRY FOR EASY CABLE INSERTION
6. INSPECTION WINDOW TO ENSURE FULL CABLE INSERTION
7. CONNECTORS ARE SUITABLE FOR VOLTAGES UP TO 35 KV
8. FOR APPLICATIONS GREATER THAN 2000 VOLTS, CONSULT CABLE MANUFACTURER FOR VOLTAGE STRESS RELIEF INSTRUCTIONS
9. CONNECTORS ARE cULus LISTED PER UL486A-B FOR POWER APPLICATIONS UP TO 90°C
10. CONNECTORS ARE cULus LISTED FOR GROUNDING, BONDING, AND DIRECT BURIAL APPLICATIONS PER UL467

NO.	ECN	DATE
REVISIONS		

				X		COPPER TUBING				
						QTY.	PT.	NAME OR DESCRIPTION		
								HEAVY DUTY COMPRESSION GROUNDING LUG		
								for 2/0 STR. COPPER CONDUCTORS		
						REF. DWG'S: 5H37-96724			H:\5H37\HBBLU-2.0S-GND	
						DRAWN BY: DT		DATE: 8/18/2023	CHK'D: QJB	
						SCALE: 3:2		INTERPRET PER ASME Y14.5-2009	FILE: 5H37	
						SIZE: B				
						DWG. NO. HBBLU-2/0S-GND			REV. -	
						SEE TABLE				
						CAT. NO.				
						 229 WATERFORD STREET EDINBORO, PA 16412 USA				