
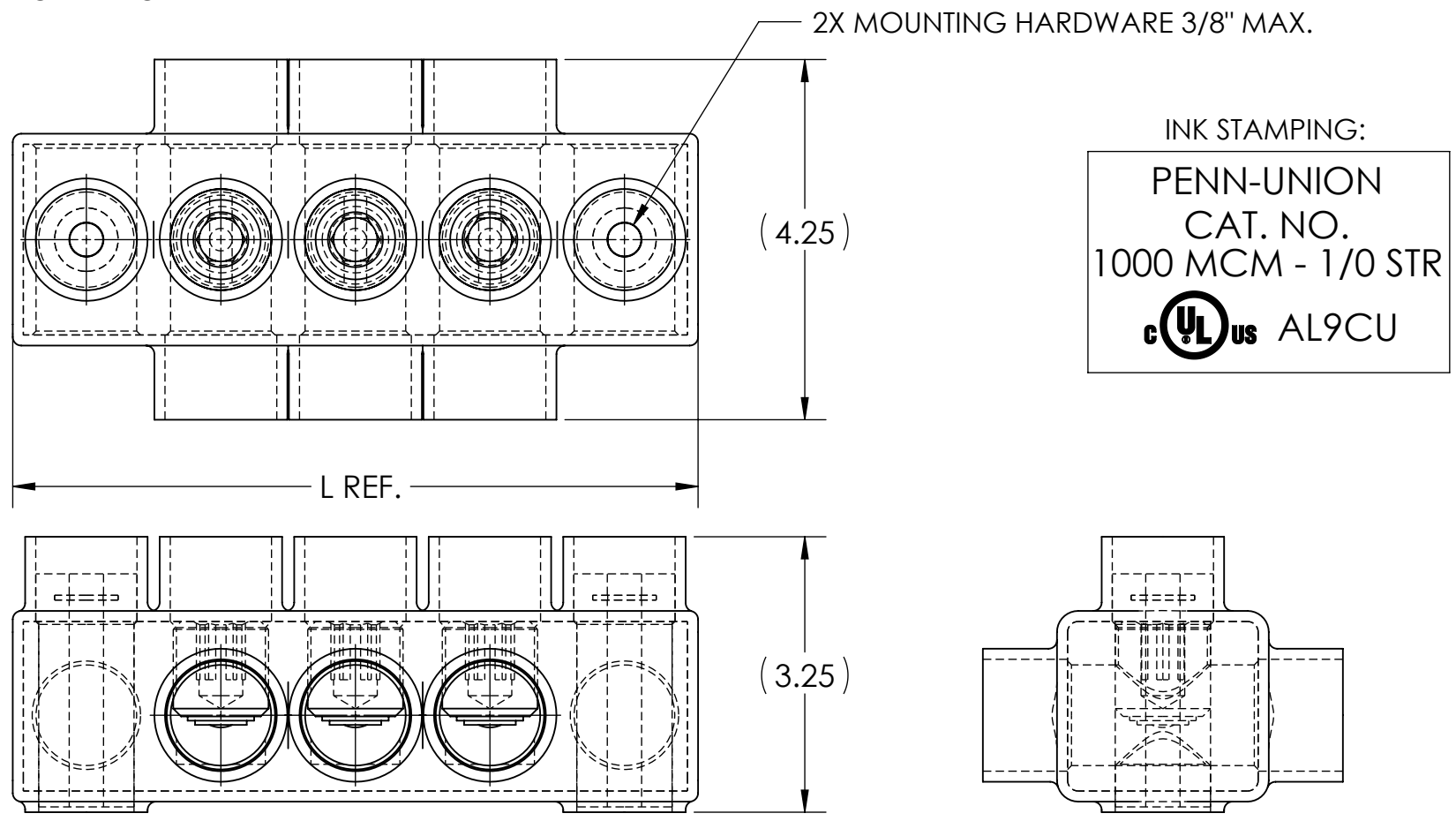


DWG. NO. IPBBM-NA1000-D REV. 2

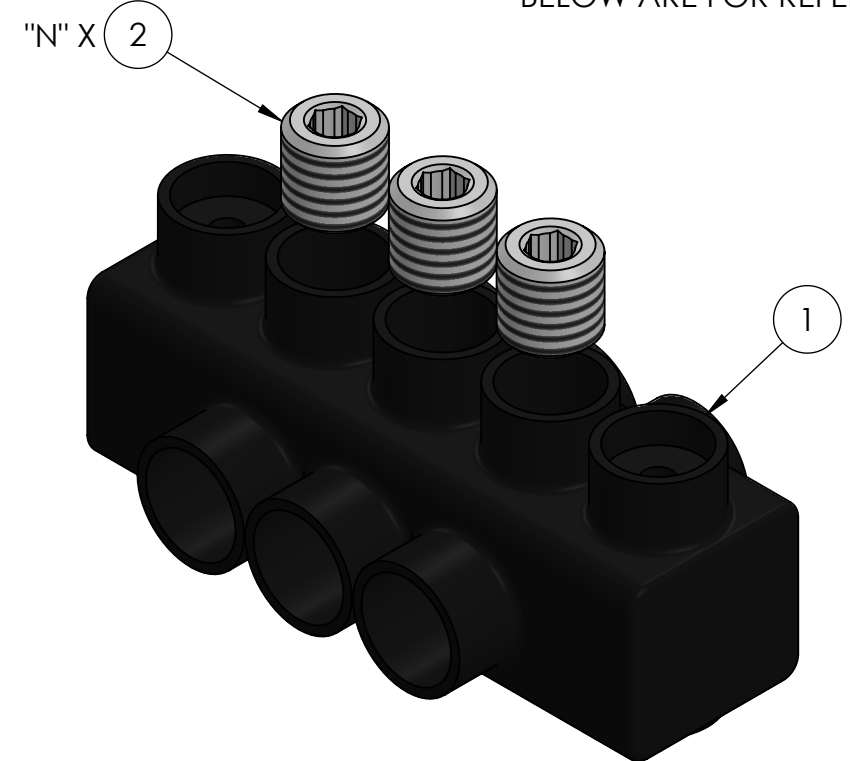
- NOTES:
1. ALL DIMENSIONS IN INCHES UNLESS OTHERWISE SPECIFIED
 2. CONDUCTOR RANGE: 1000 MCM - 1/0 STR
 3. DESIGNED FOR APPLICATIONS WHERE SECURE MOUNTING OF CONNECTOR IS REQUIRED
 4. SUITABLE FOR USE IN PANEL BOARDS, CABLE TRAYS, RACEWAYS, DUCTS, AND TROUGHS
 5. INSULATION TEMPERATURE RATING: 135°C TO -40°C
 6. PRE-FILLED WITH OXIDE INHIBITOR
 7. SUPPLIED WITH REMOVABLE ACCESS PLUGS
 8. PRE-INSULATED WITH BLACK HIGH DIELECTRIC STRENGTH PLASTISOL
 9. HEX SIZE: 1/2"
 10. INSTALLATION TORQUE: 600 IN•LB

11.  LISTED TO 486A-486B FOR ALUMINUM AND COPPER CONDUCTORS AT 90°C
12. CONNECTORS ARE RATED AND LISTED FOR PARALLEL USE. PLEASE SEE PARALLEL RATING SHEET FOR SPECIFIC INFORMATION



CAT. NO.	L REF.	N	NUMBER OF CONDUCTORS	APPROX. WEIGHT (LB)
IPBBM-NA1000-2D	6.50	2	2	2.329
IPBBM-NA1000-3D	8.09	3	3	2.940
IPBBM-NA1000-4D	9.68	4	4	3.541
IPBBM-NA1000-5D	11.27	5	5	4.148
IPBBM-NA1000-6D	12.85	6	6	4.754
IPBBM-NA1000-8D	16.03	8	8	5.967
IPBBM-NA1000-10D	19.21	10	10	7.180
IPBBM-NA1000-12D	22.38	12	12	8.393

- NOTES:
1. APPROX. WEIGHT EXCLUDES ITEMS 3 AND 4
 2. CONDUCTOR PORTS ARE "N" QUANTITY, VIEWS BELOW ARE FOR REFERENCE ONLY



RoHS
COMPLIANT

CONDUCTOR SIZE AND STRANDING					
CLASS B & C	CLASS G	CLASS H	CLASS I	CLASS K	DIESEL LOCOMOTIVE CABLE (DLO)
1000 MCM - 1/0 STR.	600 MCM (427/.0375) - #1 (133/.0251)	600 MCM (703/.0292) - #1 (259/.0180)	600 MCM (1470/.0201) - #1 (210/.0201)	600 MCM (5985/.0100) - #1 (836/.0100)	646 MCM (1600/.0201) - #1 (225/.0201)

NO.	ECN	DATE
2	11908	1/2/2020
1	11841	4/2/2019

QTY.	PT.	NAME OR DESCRIPTION
	3N	4 PLASTIC PLUG (NOT SHOWN)
	X	3 CUAL-GEL OXIDE INHIBITOR (NOT SHOWN)
	N	2 ALUMINUM SET SCREW
	1	1 INSULATED ALUMINUM BODY

BLACK INSULATED MOUNTABLE POWER BAR
for
1000 MCM - 1/0 STR

REF. DWG'S: 4304-96969S2 H:\4304\96969S2_C

PENNUNION
229 WATERFORD STREET
EDINBORO, PA 16412 USA

DRAWN BY: QJB DATE: 6/15/2021 CHK'D: CLT
 SCALE: 1:2 INTERPRET PER ASME Y14.5-2009 FILE: 4304
 SIZE: B DWG. IPBBM-NA1000-D REV. 2