


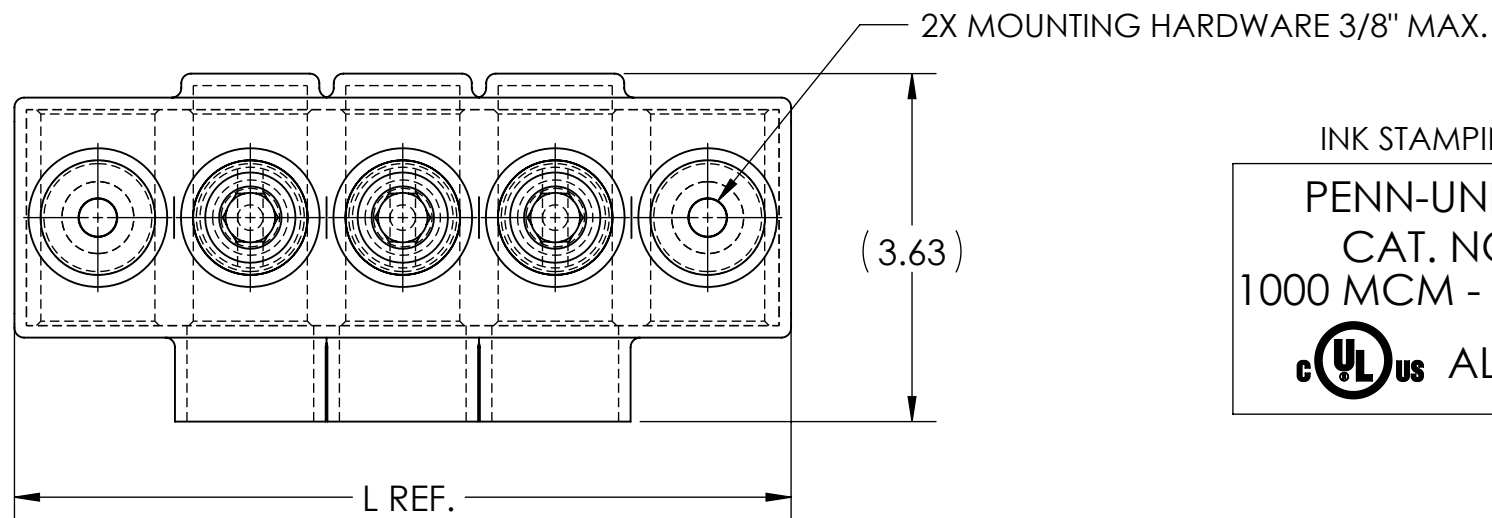
DWG. NO. **IPBBM-NA1000-S** REV. **2**


- NOTES:
1. ALL DIMENSIONS IN INCHES UNLESS OTHERWISE SPECIFIED
 2. CONDUCTOR RANGE: 1000 MCM - 1/0 STR
 3. DESIGNED FOR APPLICATIONS WHERE SECURE MOUNTING OF CONNECTOR IS REQUIRED
 4. SUITABLE FOR USE IN PANEL BOARDS, CABLE TRAYS, RACEWAYS, DUCTS, AND TROUGHS
 5. INSULATION TEMPERATURE RATING: 135°C TO -40°C
 6. PRE-FILLED WITH OXIDE INHIBITOR
 7. SUPPLIED WITH REMOVABLE ACCESS PLUGS
 8. PRE-INSULATED WITH BLACK HIGH DIELECTRIC STRENGTH PLASTISOL
 9. HEX SIZE: 1/2"
 10. INSTALLATION TORQUE: 600 IN•LB

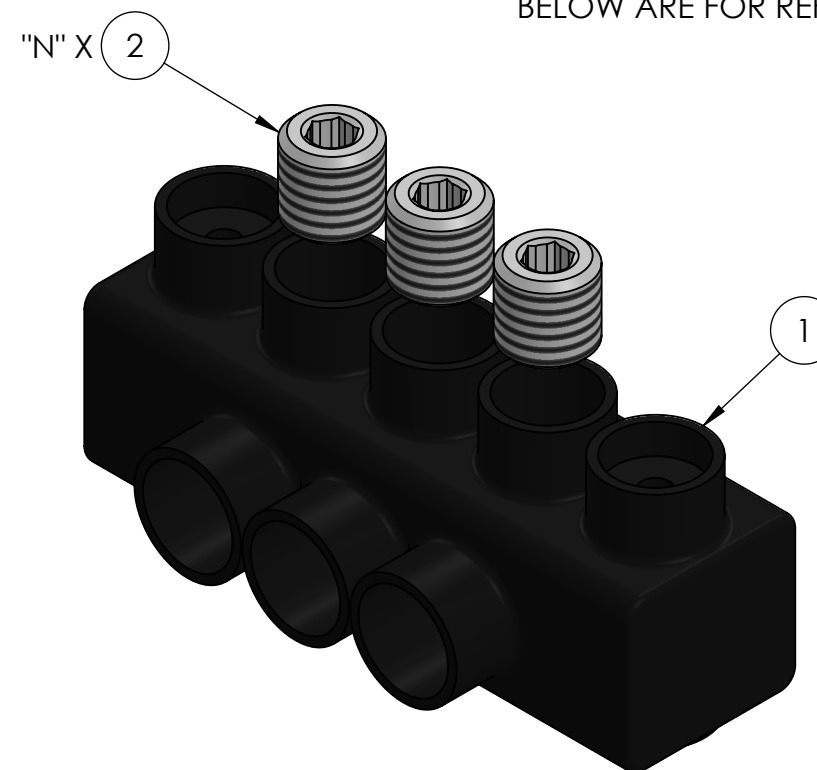
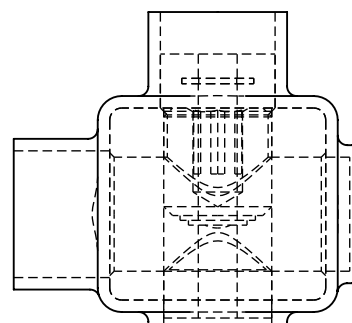
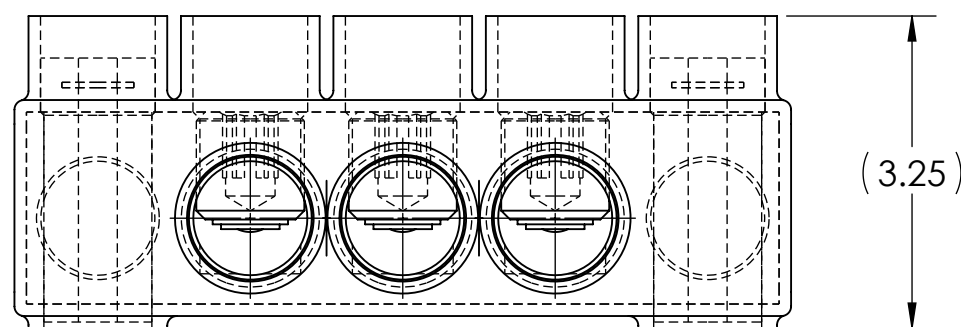
11.  LISTED TO 486A-486B FOR ALUMINUM AND COPPER CONDUCTORS AT 90°C
12. CONNECTORS ARE RATED AND LISTED FOR PARALLEL USE. PLEASE SEE PARALLEL RATING SHEET FOR SPECIFIC INFORMATION

CAT. NO.	L REF.	N	NUMBER OF CONDUCTORS	APPROX. WEIGHT (LB)
IPBBM-NA1000-2S	6.50	2	2	2.312
IPBBM-NA1000-3S	8.09	3	3	2.914
IPBBM-NA1000-4S	9.68	4	4	3.507
IPBBM-NA1000-5S	11.27	5	5	4.105
IPBBM-NA1000-6S	12.85	6	6	4.703
IPBBM-NA1000-8S	16.03	8	8	5.899
IPBBM-NA1000-10S	19.21	10	10	7.095
IPBBM-NA1000-12S	22.38	12	12	8.291

- NOTES:
1. APPROX. WEIGHT EXCLUDES ITEMS 3 AND 4
 2. CONDUCTOR PORTS ARE "N" QUANTITY, VIEWS BELOW ARE FOR REFERENCE ONLY



INK STAMPING:
PENN-UNION
 CAT. NO.
 1000 MCM - 1/0 STR
 **AL9CU**



RoHS
COMPLIANT


CONDUCTOR SIZE AND STRANDING					
CLASS B & C	CLASS G	CLASS H	CLASS I	CLASS K	DIESEL LOCOMOTIVE CABLE (DLO)
1000 MCM - 1/0 STR.	600 MCM (427/.0375) - #1 (133/.0251)	600 MCM (703/.0292) - #1 (259/.0180)	600 MCM (1470/.0201) - #1 (210/.0201)	600 MCM (5985/.0100) - #1 (836/.0100)	646 MCM (1600/.0201) - #1 (225/.0201)

NO.	ECN	DATE
2	11908	1/2/2020
1	11841	4/2/2019

QTY.	PT.	NAME OR DESCRIPTION
2N	4	PLASTIC PLUG (NOT SHOWN)
X	3	CUAL-GEL OXIDE INHIBITOR (NOT SHOWN)
N	2	ALUMINUM SET SCREW
1	1	INSULATED ALUMINUM BODY

BLACK INSULATED MOUNTABLE POWER BAR
for
1000 MCM - 1/0 STR

REF. DWG'S: 4304-96969S1 H:\4304\96969S1_C

	DRAWN BY: QJB	DATE: 6/15/2021	CHK'D: CLT
229 WATERFORD STREET EDINBORO, PA 16412 USA	SCALE: 1:2	INTERPRET PER ASME Y14.5-2009	FILE: 4304

SEE TABLE CAT. NO. **IPBBM-NA1000-S** REV. **2**