


DWG. NO. **IPBBM-NA250-S** REV. **4**

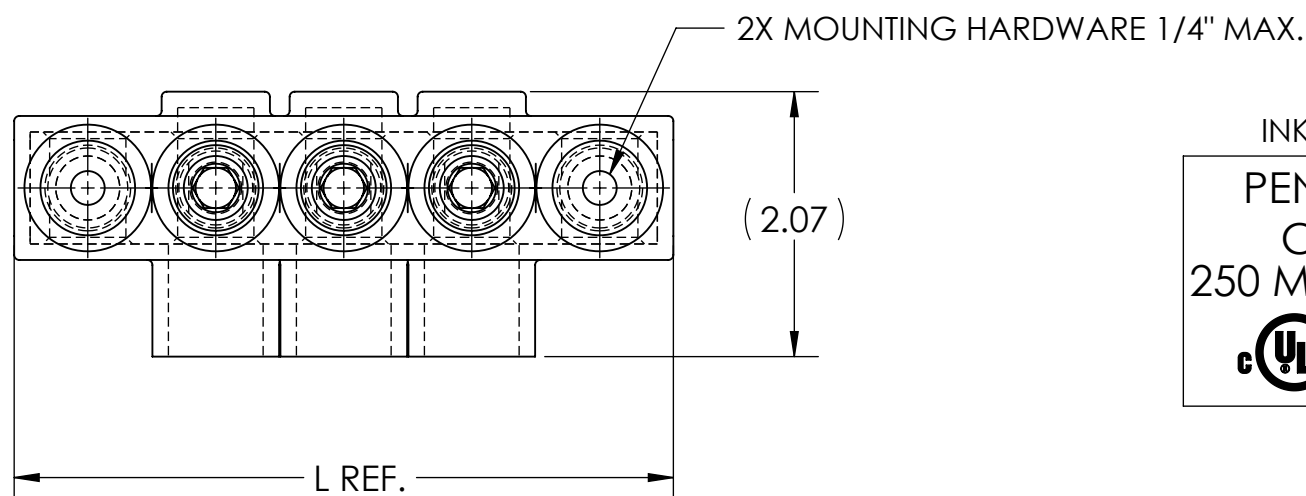
**NOTES:**


1. ALL DIMENSIONS IN INCHES UNLESS OTHERWISE SPECIFIED
2. CONDUCTOR RANGE: 250 MCM - 10 SOL
3. DESIGNED FOR APPLICATIONS WHERE SECURE MOUNTING OF CONNECTOR IS REQUIRED
4. SUITABLE FOR USE IN PANEL BOARDS, CABLE TRAYS, RACEWAYS, DUCTS, AND TROUGHS
5. INSULATION TEMPERATURE RATING: 135°C TO -40°C
6. PRE-FILLED WITH OXIDE INHIBITOR
7. SUPPLIED WITH REMOVABLE ACCESS PLUGS
8. PRE-INSULATED WITH BLACK HIGH DIELECTRIC STRENGTH PLASTISOL
9. HEX SIZE: 5/16"
10. INSTALLATION TORQUE: 275 IN•LB
11.  LISTED TO 486A-486B FOR ALUMINUM AND COPPER CONDUCTORS AT 90°C
12. CONNECTORS ARE RATED AND LISTED FOR PARALLEL USE. PLEASE SEE PARALLEL RATING SHEET FOR SPECIFIC INFORMATION

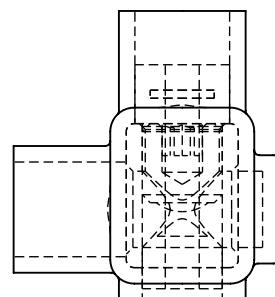
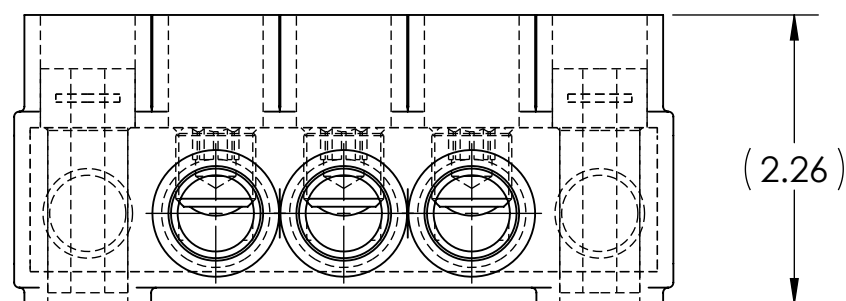
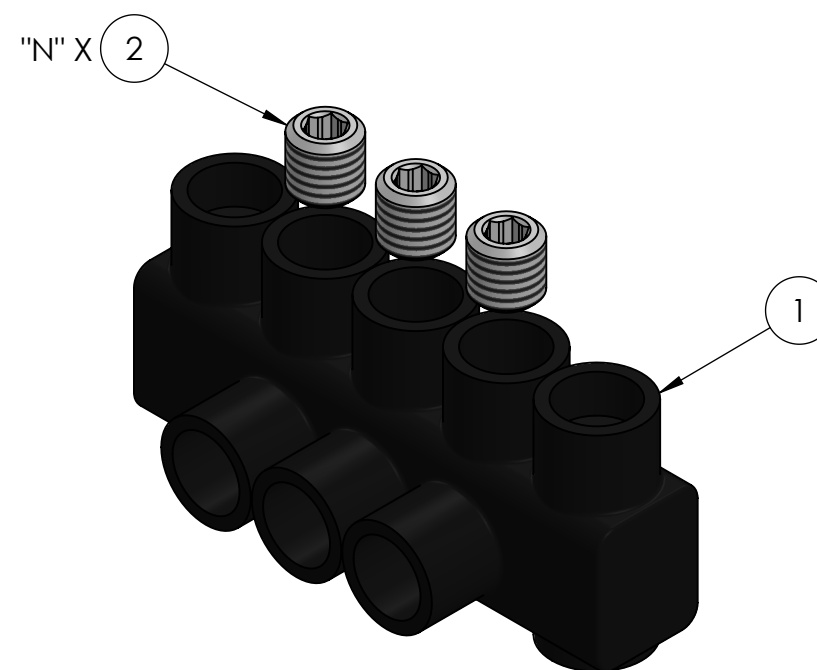
CAT. NO.	L REF.	N	NUMBER OF CONDUCTORS	APPROX. WEIGHT (LB)
IPBBM-NA250-2S	4.15	2	2	0.460
IPBBM-NA250-3S	5.15	3	3	0.579
IPBBM-NA250-4S	6.15	4	4	0.698
IPBBM-NA250-5S	7.15	5	5	0.817
IPBBM-NA250-6S	8.15	6	6	0.936
IPBBM-NA250-8S	10.15	8	8	1.173
IPBBM-NA250-10S	12.15	10	10	1.389
IPBBM-NA250-12S	14.15	12	12	1.649

**NOTES:**

1. APPROX. WEIGHT EXCLUDES ITEMS 3 AND 4
2. CONDUCTOR PORTS ARE "N" QUANTITY, VIEWS BELOW ARE FOR REFERENCE ONLY



INK STAMPING:  
**PENN-UNION**  
**CAT. NO.**  
**250 MCM - 10 SOL**  
 **AL9CU**




**RoHS**  
COMPLIANT

QTY.	PT.	NAME OR DESCRIPTION
2N	4	PLASTIC PLUG (NOT SHOWN)
X	3	CUAL-GEL OXIDE INHIBITOR (NOT SHOWN)
N	2	ALUMINUM SET SCREW
1	1	INSULATED ALUMINUM BODY

**BLACK INSULATED MOUNTABLE POWER BAR**  
for  
**250 MCM - 10 SOL**

REF. DWG'S: 4304-55778S3 H:\4304\55778S3\_C

 DRAWN BY: QJB DATE: 6/14/2021 CHK'D: CLT

SCALE: 2:3 INTERPRET PER ASME Y14.5-2009 FILE: 4304

SIZE: B DWG. NO. **IPBBM-NA250-S** REV. **4**

229 WATERFORD STREET  
EDINBORO, PA 16412 USA

CONDUCTOR SIZE AND STRANDING					
CLASS B & C	CLASS G	CLASS H	CLASS I	CLASS K	DIESEL LOCOMOTIVE CABLE (DLO)
250 MCM - 10 SOL.	3/0 (133/.0355) - #10 (49/.0146)	3/0 (259/.0255) - #9 (133/.0099)	3/0 (418/.0201) - #6 (63/.0201)	3/0 (1666/.0100) - #9 (133/.0100)	3/0 (450/.0201) - #10 (27/.0142)

NO.	ECN	DATE
4	11908	1/2/2020
3	11841	4/2/2019
2	11675	12/20/2016
1	11576	6/23/2015

REVISIONS