
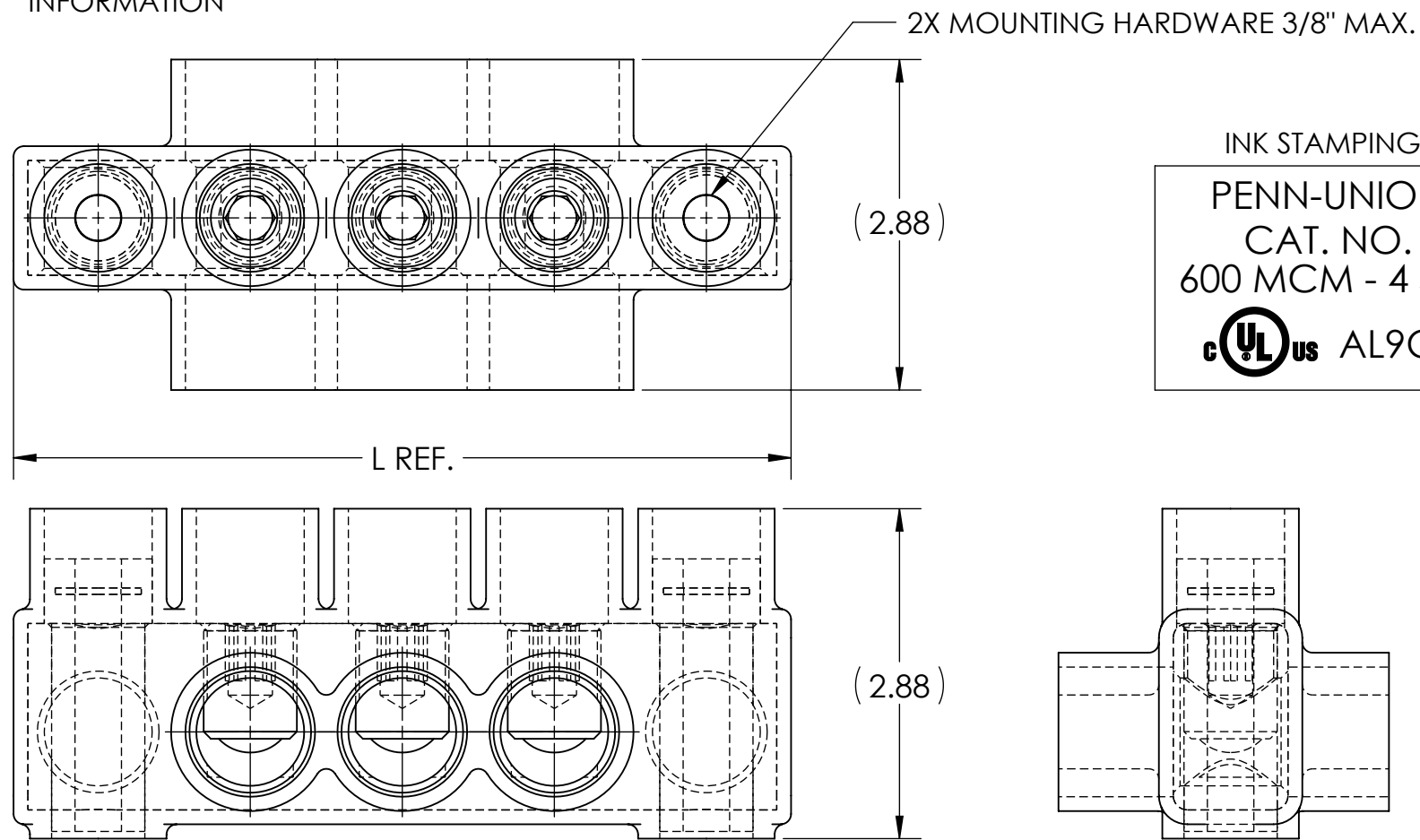



DWG. NO. **IPBBM-NA600-D** REV. **3**

NOTES:

1. ALL DIMENSIONS IN INCHES UNLESS OTHERWISE SPECIFIED
2. CONDUCTOR RANGE: 600 MCM - 4 STR
3. DESIGNED FOR APPLICATIONS WHERE SECURE MOUNTING OF CONNECTOR IS REQUIRED
4. SUITABLE FOR USE IN PANEL BOARDS, CABLE TRAYS, RACEWAYS, DUCTS, AND TROUGHS
5. INSULATION TEMPERATURE RATING: 135°C TO -40°C
6. PRE-FILLED WITH OXIDE INHIBITOR
7. SUPPLIED WITH REMOVABLE ACCESS PLUGS
8. PRE-INSULATED WITH BLACK HIGH DIELECTRIC STRENGTH PLASTISOL
9. HEX SIZE: 3/8"
10. INSTALLATION TORQUE: 400 IN•LB
11.  LISTED TO 486A-486B FOR ALUMINUM AND COPPER CONDUCTORS AT 90°C
12. CONNECTORS ARE RATED AND LISTED FOR PARALLEL USE. PLEASE SEE PARALLEL RATING SHEET FOR SPECIFIC INFORMATION

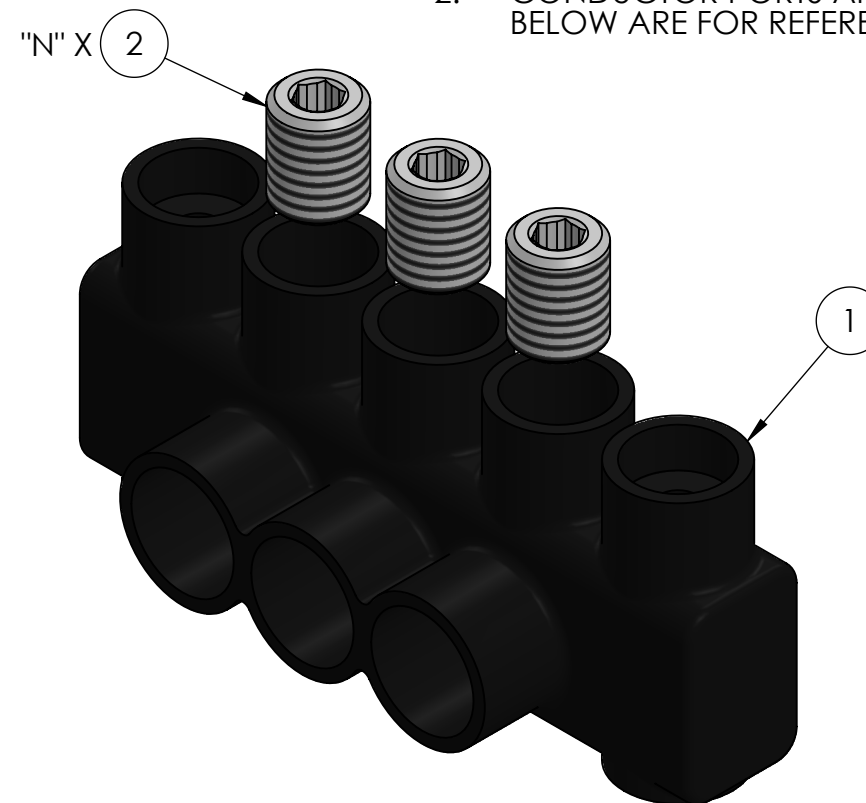


INK STAMPING:
PENN-UNION
CAT. NO.
600 MCM - 4 STR
 **AL9CU**

CAT. NO.	L REF.	N	NUMBER OF CONDUCTORS	APPROX. WEIGHT (LB)
IPBBM-NA600-2D	5.45	2	2	0.878
IPBBM-NA600-3D	6.78	3	3	1.118
IPBBM-NA600-4D	8.10	4	4	1.350
IPBBM-NA600-5D	9.43	5	5	1.585
IPBBM-NA600-6D	10.75	6	6	1.821
IPBBM-NA600-8D	13.40	8	8	2.293
IPBBM-NA600-10D	16.05	10	10	2.764
IPBBM-NA600-12D	18.70	12	12	3.236

NOTES:

1. APPROX. WEIGHT EXCLUDES ITEMS 3 AND 4
2. CONDUCTOR PORTS ARE "N" QUANTITY, VIEWS BELOW ARE FOR REFERENCE ONLY



RoHS
COMPLIANT

CONDUCTOR SIZE AND STRANDING					
CLASS B & C	CLASS G	CLASS H	CLASS I	CLASS K	DIESEL LOCOMOTIVE CABLE (DLO)
600 MCM - 4 STR.	350 MCM (259/.0368) - #4 (49/.0292)	350 MCM (427/.0286) - #4 (133/.0177)	350 MCM (882/.0201) - #4 (105/.0201)	350 MCM (3458/.0100) - #4 (420/.0100)	373 MCM (925/.0201) - #4 (105/.0201)

NO.	ECN	DATE
3	11908	1/2/2020
2	11841	4/2/2019
1	11576	6/23/2015

QTY.	PT.	NAME OR DESCRIPTION
	3N	4 PLASTIC PLUG (NOT SHOWN)
	X	3 CUAL-GEL OXIDE INHIBITOR (NOT SHOWN)
	N	2 ALUMINUM SET SCREW
	1	1 INSULATED ALUMINUM BODY
BLACK INSULATED MOUNTABLE POWER BAR for 600 MCM - 4 STR		
REF. DWG'S: 4304-55778S8		H:\4304\55778S8_C
 229 WATERFORD STREET EDINBORO, PA 16412 USA		DRAWN BY: QJB DATE: 6/15/2021 CHK'D: CLT
		SCALE: 2:3 INTERPRET PER ASME Y14.5-2009 FILE: 4304
SEE TABLE	CAT. NO.	DWG. NO. IPBBM-NA600-D REV. 3