


DWG. NO. **IPBBM-NA750-D** REV. **5**

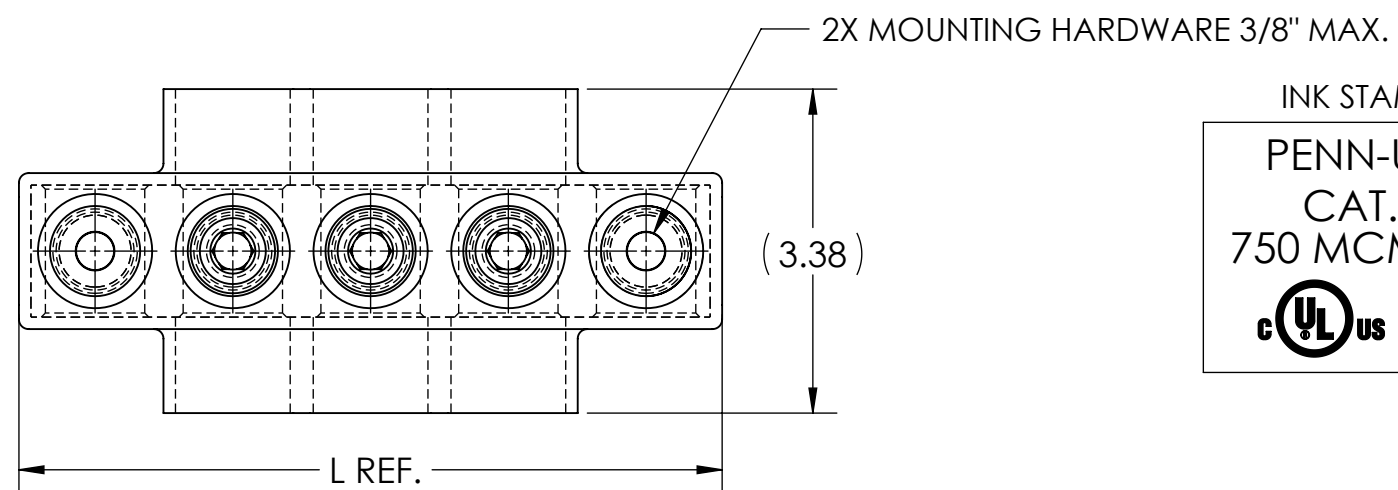
NOTES:


1. ALL DIMENSIONS IN INCHES UNLESS OTHERWISE SPECIFIED
2. CONDUCTOR RANGE: 750 MCM - 2 STR
3. DESIGNED FOR APPLICATIONS WHERE SECURE MOUNTING OF CONNECTOR IS REQUIRED
4. SUITABLE FOR USE IN PANEL BOARDS, CABLE TRAYS, RACEWAYS, DUCTS, AND TROUGHS
5. INSULATION TEMPERATURE RATING: 135°C TO -40°C
6. PRE-FILLED WITH OXIDE INHIBITOR
7. SUPPLIED WITH REMOVABLE ACCESS PLUGS
8. PRE-INSULATED WITH BLACK HIGH DIELECTRIC STRENGTH PLASTISOL
9. HEX SIZE: 3/8"
10. INSTALLATION TORQUE: 550 IN•LB
11.  LISTED TO 486A-486B FOR ALUMINUM AND COPPER CONDUCTORS AT 90°C
12. CONNECTORS ARE RATED AND LISTED FOR PARALLEL USE. PLEASE SEE PARALLEL RATING SHEET FOR SPECIFIC INFORMATION

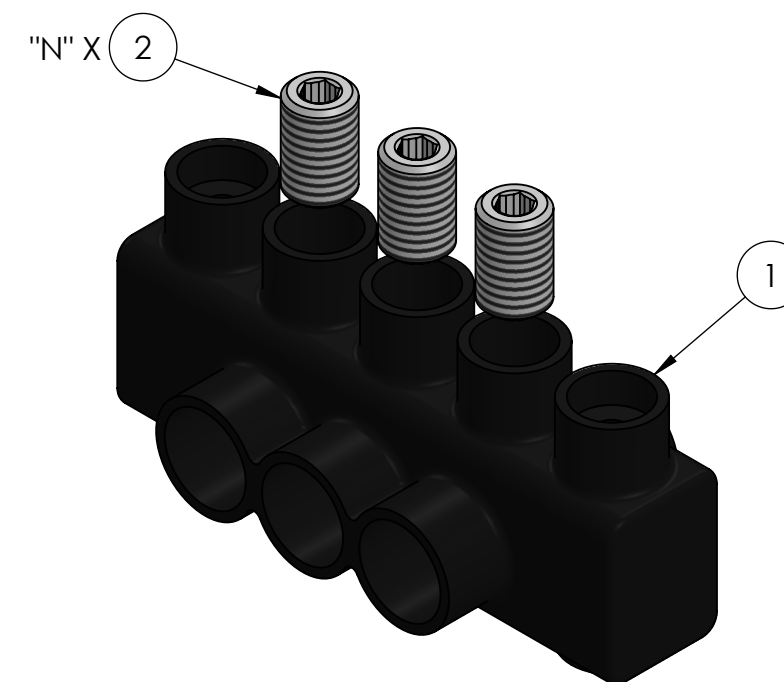
CAT. NO.	L REF.	N	NUMBER OF CONDUCTORS	APPROX. WEIGHT (LB)
IPBBM-NA750-2D	5.89	2	2	1.364
IPBBM-NA750-3D	7.33	3	3	1.739
IPBBM-NA750-4D	8.76	4	4	2.099
IPBBM-NA750-5D	10.20	5	5	2.466
IPBBM-NA750-6D	11.63	6	6	2.833
IPBBM-NA750-8D	14.50	8	8	3.568
IPBBM-NA750-10D	17.37	10	10	4.303
IPBBM-NA750-12D	20.24	12	12	5.038

NOTES:

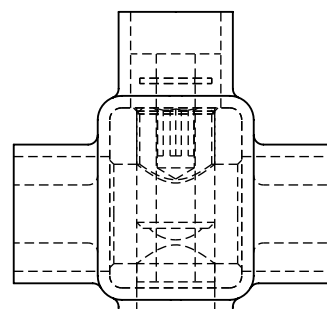
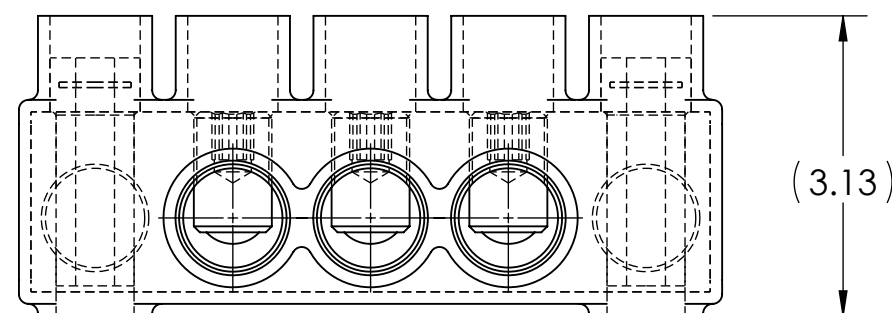
1. APPROX. WEIGHT EXCLUDES ITEMS 3 AND 4
2. CONDUCTOR PORTS ARE "N" QUANTITY, VIEWS BELOW ARE FOR REFERENCE ONLY



INK STAMPING:
PENN-UNION
CAT. NO.
750 MCM - 2 STR
 **AL9CU**



RoHS
COMPLIANT




CONDUCTOR SIZE AND STRANDING

CLASS B & C	CLASS G	CLASS H	CLASS I	CLASS K	DIESEL LOCOMOTIVE CABLE (DLO)
750 MCM - 2 STR.	500 MCM (259/.0439) - #2 (49/.0368)	500 MCM (427/.0342) - #2 (259/.0160)	500 MCM (1225/.0201) - #2 (161/.0201)	500 MCM (5054/.0100) - #2 (665/.0100)	535 MCM (1325/.0201) - #2 (150/.0201)

NO.	ECN	DATE
5	12086	6/1/2021
4	11908	1/2/2020
3	11841	4/2/2019
2	11675	12/20/2016
1	11576	6/23/2015

QTY.	PT.	NAME OR DESCRIPTION
3N	4	PLASTIC PLUG (NOT SHOWN)
X	3	CUAL-GEL OXIDE INHIBITOR (NOT SHOWN)
N	2	ALUMINUM SET SCREW
1	1	INSULATED ALUMINUM BODY

BLACK INSULATED MOUNTABLE POWER BAR	
for 750 MCM - 2 STR	
REF. DWG'S: 4304-55778S10	H:\4304\55778S10_C
	
229 WATERFORD STREET EDINBORO, PA 16412 USA	
DRAWN BY: QJB	DATE: 6/15/2021
SCALE: 1:2	INTERPRET PER ASME Y14.5-2009
SIZE: B	FILE: 4304
DWG. NO. IPBBM-NA750-D	REV. 5