
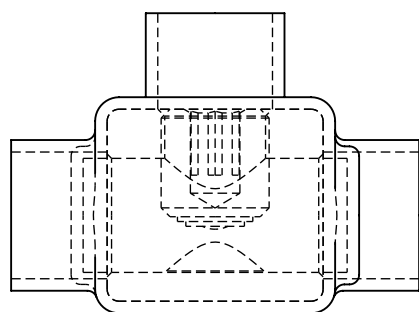
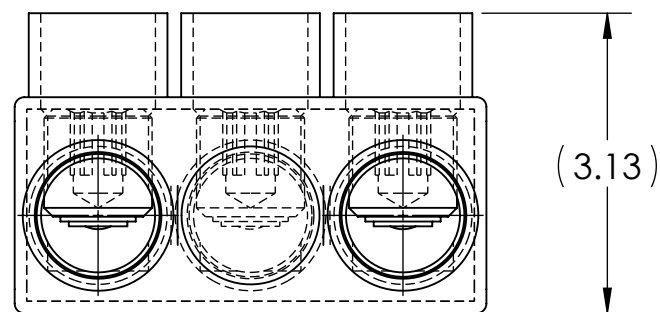
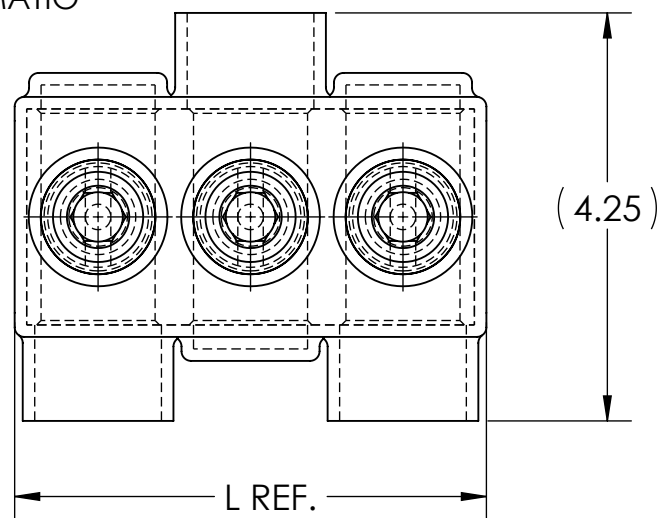



DWG. NO. **IPBB-NA1000-A** REV. **1**

- NOTES:
1. ALL DIMENSIONS IN INCHES UNLESS OTHERWISE SPECIFIED
  2. CONDUCTOR RANGE: 1000 MCM - 1/0 STR
  3. SUITABLE FOR USE IN PANEL BOARDS, CABLE TRAYS, RACEWAYS, DUCTS, AND TROUGHS
  4. INSULATION TEMPERATURE RATING: 135°C TO -40°C
  5. PRE-FILLED WITH OXIDE INHIBITOR
  6. SUPPLIED WITH REMOVABLE ACCESS PLUGS
  7. PRE-INSULATED WITH BLACK HIGH DIELECTRIC STRENGTH PLASTISOL
  8. HEX SIZE: 1/2"
  9. INSTALLATION TORQUE: 600 IN•LB

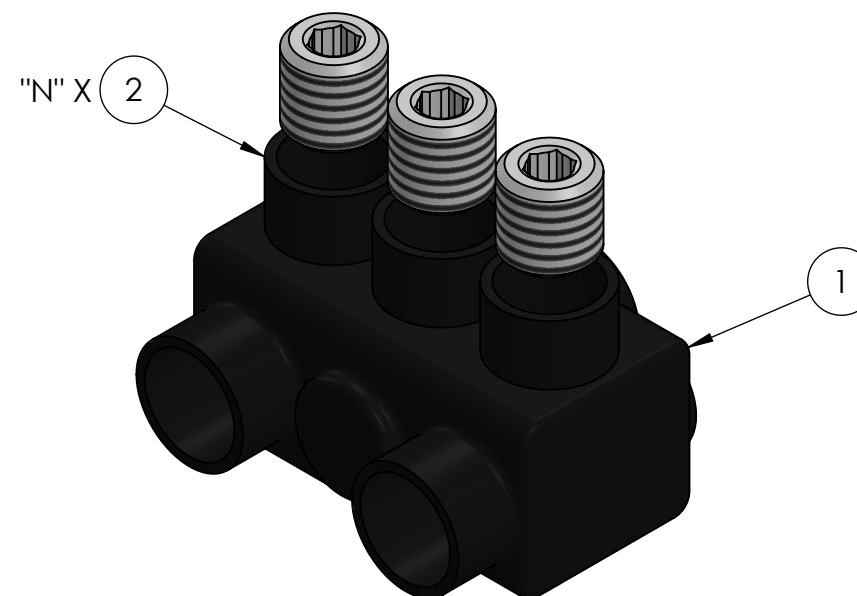
10.  LISTED TO 486A-486B FOR ALUMINUM AND COPPER CONDUCTORS AT 90°C
11. CONNECTORS ARE RATED AND LISTED FOR PARALLEL USE. PLEASE SEE PARALLEL RATING SHEET FOR SPECIFIC INFORMATION



INK STAMPING:  
**PENN-UNION**  
 CAT. NO.  
 1000 MCM - 1/0 STR  
 **AL9CU**

| CAT. NO.        | L REF. | N  | NUMBER OF CONDUCTORS | APPROX. WEIGHT (LB) |
|-----------------|--------|----|----------------------|---------------------|
| IPBB-NA1000-2A  | 3.33   | 2  | 2                    | 1.206               |
| IPBB-NA1000-3A  | 4.91   | 3  | 3                    | 1.805               |
| IPBB-NA1000-4A  | 6.50   | 4  | 4                    | 2.395               |
| IPBB-NA1000-5A  | 8.09   | 5  | 5                    | 3.000               |
| IPBB-NA1000-6A  | 9.68   | 6  | 6                    | 3.598               |
| IPBB-NA1000-8A  | 12.85  | 8  | 8                    | 4.793               |
| IPBB-NA1000-10A | 16.03  | 10 | 10                   | 5.989               |
| IPBB-NA1000-12A | 19.21  | 12 | 12                   | 7.185               |
| IPBB-NA1000-14A | 22.38  | 14 | 14                   | 8.381               |



- NOTES:
1. APPROX. WEIGHT EXCLUDES ITEMS 3 AND 4
  2. CONDUCTOR PORTS ARE "N" QUANTITY, VIEWS BELOW ARE FOR REFERENCE ONLY



**RoHS**  
COMPLIANT

| CONDUCTOR SIZE AND STRANDING |                                      |                                      |                                       |                                       |                                       |
|------------------------------|--------------------------------------|--------------------------------------|---------------------------------------|---------------------------------------|---------------------------------------|
| CLASS B & C                  | CLASS G                              | CLASS H                              | CLASS I                               | CLASS K                               | DIESEL LOCOMOTIVE CABLE (DLO)         |
| 1000 MCM - 1/0 STR.          | 600 MCM (427/.0375) - #1 (133/.0251) | 600 MCM (703/.0292) - #1 (259/.0180) | 600 MCM (1470/.0201) - #1 (210/.0201) | 600 MCM (5985/.0100) - #1 (836/.0100) | 646 MCM (1600/.0201) - #1 (225/.0201) |

| NO.       | ECN   | DATE       |
|-----------|-------|------------|
| 1         | 11881 | 12/27/2019 |
| REVISIONS |       |            |

|  | 2N                            | 4                   | PLASTIC PLUG (NOT SHOWN)  |
|--|-------------------------------|---------------------|---|
|  | X                             | 3                   | CUAL-GEL OXIDE INHIBITOR (NOT SHOWN)  |
|  | N                             | 2                   | ALUMINUM SET SCREW  |
|  | 1                             | 1                   | INSULATED ALUMINUM BODY   |
| QTY.   | PT.                           | NAME OR DESCRIPTION |   |
| <b>BLACK INSULATED POWER BAR</b><br>for<br>1000 MCM - 1/0 STR  |                               |                     |   |
| REF. DWG'S: 4304-96971S3   |                               | H:\4304\96971S3_C   |   |
| <br><b>PENN-UNION</b><br>229 WATERFORD STREET<br>EDINBORO, PA 16412 USA |                               | DRAWN BY: QJB       | DATE: 6/11/2021   |
|  |                               | CHK'D: CLT          | FILE: 4304  |
| SCALE: 1:2   | INTERPRET PER ASME Y14.5-2009 |                     | SIZE: B   |
| DWG. NO. <b>IPBB-NA1000-A</b>  | REV. <b>1</b>                 |                     |  |