


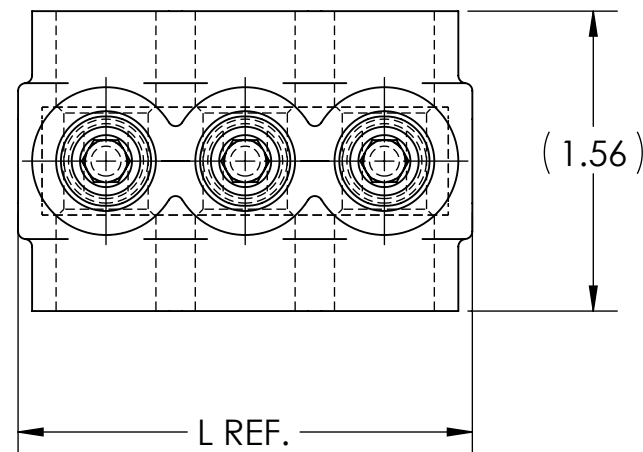
DWG. NO. **IPBB-NA2/0-D** REV. **2**

- NOTES:
1. ALL DIMENSIONS IN INCHES UNLESS OTHERWISE SPECIFIED
  2. CONDUCTOR RANGE: 2/0 STR - 14 SOL
  3. SUITABLE FOR USE IN PANEL BOARDS, CABLE TRAYS, RACEWAYS, DUCTS, AND TROUGHS
  4. INSULATION TEMPERATURE RATING: 135°C TO -40°C
  5. PRE-FILLED WITH OXIDE INHIBITOR
  6. SUPPLIED WITH REMOVABLE ACCESS PLUGS
  7. PRE-INSULATED WITH BLACK HIGH DIELECTRIC STRENGTH PLASTISOL
  8. HEX SIZE: 7/32"
  9. INSTALLATION TORQUE: 180 IN•LB

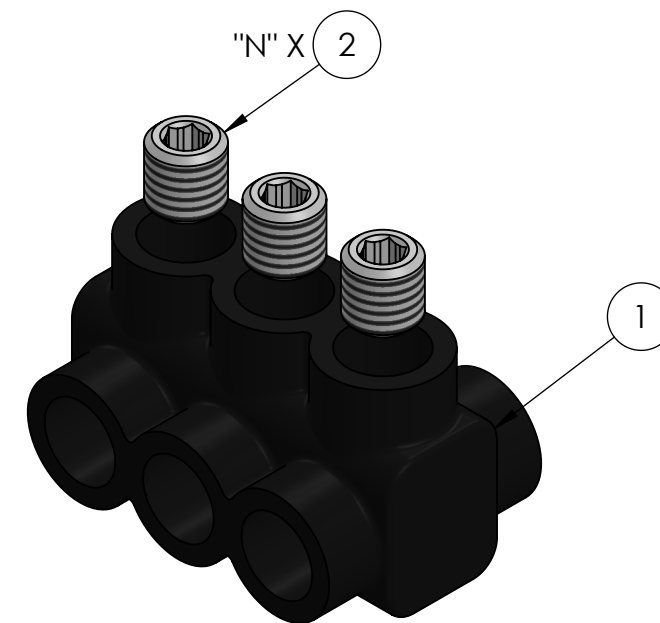
10.  LISTED TO 486A-486B FOR ALUMINUM AND COPPER CONDUCTORS AT 90°C
11. CONNECTORS ARE RATED AND LISTED FOR PARALLEL USE. PLEASE SEE PARALLEL RATING SHEET FOR SPECIFIC INFORMATION

CAT. NO.	L REF.	N	NUMBER OF CONDUCTORS	APPROX. WEIGHT (LB)
IPBB-NA2/0-2D	1.64	2	2	0.092
IPBB-NA2/0-3D	2.37	3	3	0.136
IPBB-NA2/0-4D	3.09	4	4	0.179
IPBB-NA2/0-5D	3.82	5	5	0.222
IPBB-NA2/0-6D	4.54	6	6	0.266
IPBB-NA2/0-8D	5.99	8	8	0.352
IPBB-NA2/0-10D	7.44	10	10	0.439
IPBB-NA2/0-12D	8.89	12	12	0.526
IPBB-NA2/0-14D	10.34	14	14	0.613

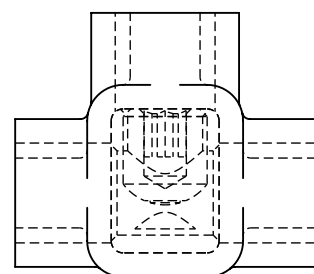
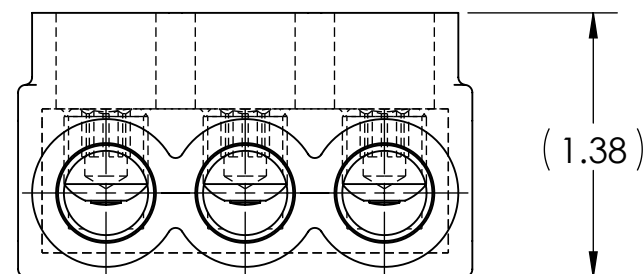
- NOTES:
1. APPROX. WEIGHT EXCLUDES ITEMS 3 AND 4
  2. CONDUCTOR PORTS ARE "N" QUANTITY, VIEWS BELOW ARE FOR REFERENCE ONLY



INK STAMPING:  
**PENN-UNION**  
 CAT. NO.  
 2/0 STR - 14 SOL  
 AL9CU




**RoHS**  
COMPLIANT



QTY.	PT.	NAME OR DESCRIPTION
	3N	4 PLASTIC PLUG (NOT SHOWN)
	X	3 CUAL GEL OXIDE INHIBITOR (NOT SHOWN)
	N	2 ALUMINUM SET SCREW
	1	1 INSULATED ALUMINUM BODY

QTY.	PT.	NAME OR DESCRIPTION
		<b>BLACK INSULATED POWER BAR</b> for 2/0 STR - 14 SOL

REF. DWG'S: 4304-98058S2 H:\4304\98058S2\_C

 DRAWN BY: QJB DATE: 6/9/2021 CHK'D: CLT

SCALE: 1:1 INTERPRET PER ASME Y14.5-2009 FILE: 4304

SIZE: B DWG. NO. **IPBB-NA2/0-D** REV. **2**

229 WATERFORD STREET  
EDINBORO, PA 16412 USA

CONDUCTOR SIZE AND STRANDING					
CLASS B & C	CLASS G	CLASS H	CLASS I	CLASS K	DIESEL LOCOMOTIVE CABLE (DLO)
2/0 STR. - 14 SOL.	#1 (133/.0251) - #14 (49/.0092)	#1 (259/.0180) - #9 (133/.0099)	#1 (210/.0201) - #6 (63/.0201)	#1 (836/.0100) - #9 (133/.0100)	#1 (225/.0201) - #14 (19/.0142)

NO.	ECN	DATE
2	11881	12/27/2019
1	11530	2/9/2015

REVISIONS