


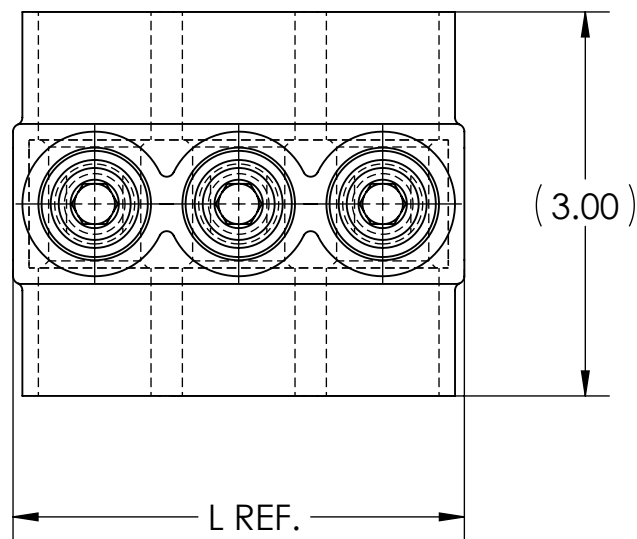
DWG. NO. **IPBB-NA350-D** REV. **1**


- NOTES:
1. ALL DIMENSIONS IN INCHES UNLESS OTHERWISE SPECIFIED
  2. CONDUCTOR RANGE: 350 MCM - 10 SOL
  3. SUITABLE FOR USE IN PANEL BOARDS, CABLE TRAYS, RACEWAYS, DUCTS, AND TROUGHS
  4. INSULATION TEMPERATURE RATING: 135°C TO -40°C
  5. PRE-FILLED WITH OXIDE INHIBITOR
  6. SUPPLIED WITH REMOVABLE ACCESS PLUGS
  7. PRE-INSULATED WITH BLACK HIGH DIELECTRIC STRENGTH PLASTISOL
  8. HEX SIZE: 5/16"
  9. INSTALLATION TORQUE: 275 IN•LB

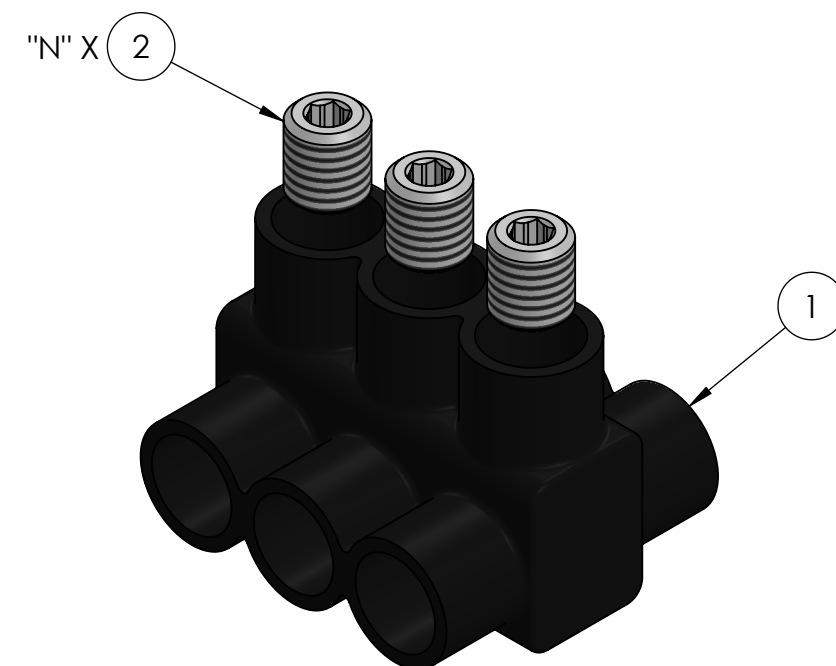
10.  LISTED TO 486A-486B FOR ALUMINUM AND COPPER CONDUCTORS AT 90°C
11. CONNECTORS ARE RATED AND LISTED FOR PARALLEL USE. PLEASE SEE PARALLEL RATING SHEET FOR SPECIFIC INFORMATION

CAT. NO.	L REF.	N	NUMBER OF CONDUCTORS	APPROX. WEIGHT (LB)
IPBB-NA350-2D	2.40	2	2	0.375
IPBB-NA350-3D	3.53	3	3	0.563
IPBB-NA350-4D	4.65	4	4	0.745
IPBB-NA350-5D	5.78	5	5	0.930
IPBB-NA350-6D	6.90	6	6	1.126
IPBB-NA350-8D	9.15	8	8	1.485
IPBB-NA350-10D	11.40	10	10	1.855
IPBB-NA350-12D	13.65	12	12	2.225
IPBB-NA350-14D	15.90	14	14	2.595

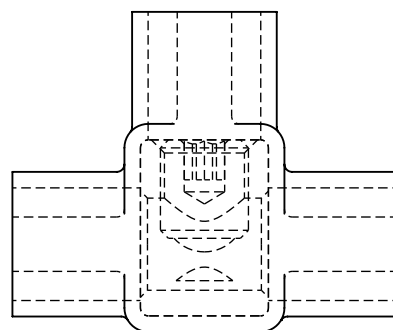
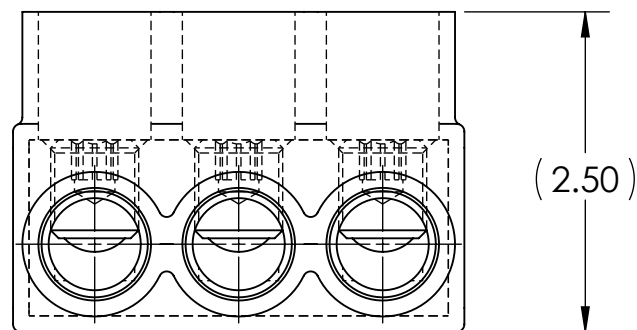
- NOTES:
1. APPROX. WEIGHT EXCLUDES ITEMS 3 AND 4
  2. CONDUCTOR PORTS ARE "N" QUANTITY, VIEWS BELOW ARE FOR REFERENCE ONLY



INK STAMPING:  
 PENN-UNION  
 CAT. NO.  
 350 MCM - 10 SOL  
 AL9CU




**RoHS**  
COMPLIANT



CONDUCTOR SIZE AND STRANDING

CLASS B & C	CLASS G	CLASS H	CLASS I	CLASS K	DIESEL LOCOMOTIVE CABLE (DLO)
350 MCM - 10 SOL.	250 MCM (259/.0311) - #10 (49/.0146)	250 MCM (427/.0242) - #9 (133/.0099)	250 MCM (637/.0201) - #6 (63/.0201)	250 MCM (2499/.0100) - #9 (133/.0100)	4/0 (550/.0201) - #10 (27/.0201)

NO.	ECN	DATE
1	11881	12/27/2019
REVISIONS		

	3N	4	PLASTIC PLUG (NOT SHOWN)
	X	3	CUAL-GEL OXIDE INHIBITOR (NOT SHOWN)
	N	2	ALUMINUM SET SCREW
	1	1	INSULATED ALUMINUM BODY
QTY.	PT.	NAME OR DESCRIPTION	
BLACK INSULATED POWER BAR for 350 MCM - 10 SOL			
REF. DWG'S: 4304-98060S2		H:\4304\98060S2_C	
 229 WATERFORD STREET EDINBORO, PA 16412 USA		DRAWN BY: QJB	DATE: 6/10/2021
		CHK'D: CLT	FILE: 4304
SCALE: 2:3	INTERPRET PER ASME Y14.5-2009		DWG. NO. <b>IPBB-NA350-D</b>
SIZE: B	REV. <b>1</b>		