
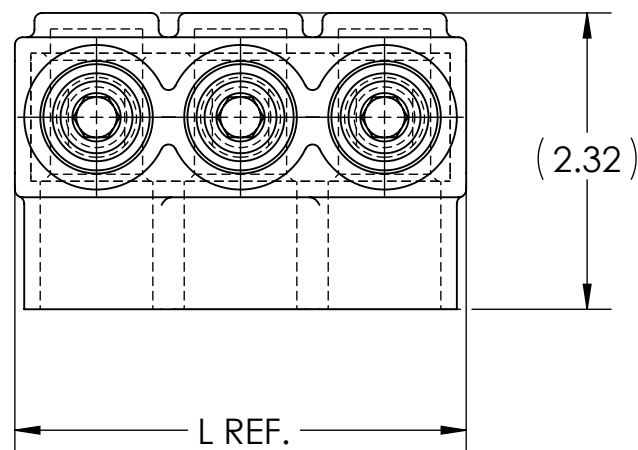



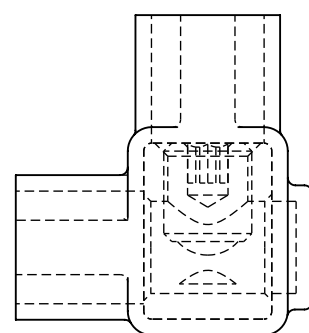
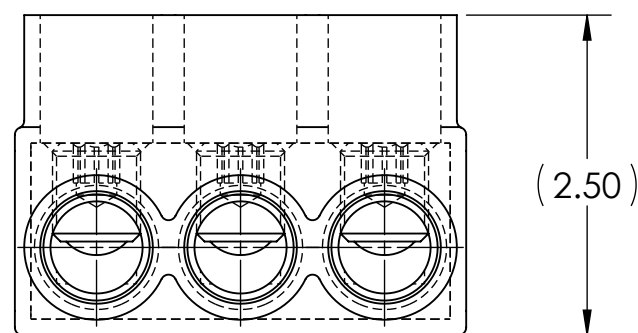
DWG. NO. **IPBB-NA350-S** REV. **1**

- NOTES:
1. ALL DIMENSIONS IN INCHES UNLESS OTHERWISE SPECIFIED
 2. CONDUCTOR RANGE: 350 MCM - 10 SOL
 3. SUITABLE FOR USE IN PANEL BOARDS, CABLE TRAYS, RACEWAYS, DUCTS, AND TROUGHS
 4. INSULATION TEMPERATURE RATING: 135°C TO -40°C
 5. PRE-FILLED WITH OXIDE INHIBITOR
 6. SUPPLIED WITH REMOVABLE ACCESS PLUGS
 7. PRE-INSULATED WITH BLACK HIGH DIELECTRIC STRENGTH PLASTISOL
 8. HEX SIZE: 5/16"
 9. INSTALLATION TORQUE: 275 IN•LB

10.  LISTED TO 486A-486B FOR ALUMINUM AND COPPER CONDUCTORS AT 90°C
11. CONNECTORS ARE RATED AND LISTED FOR PARALLEL USE. PLEASE SEE PARALLEL RATING SHEET FOR SPECIFIC INFORMATION

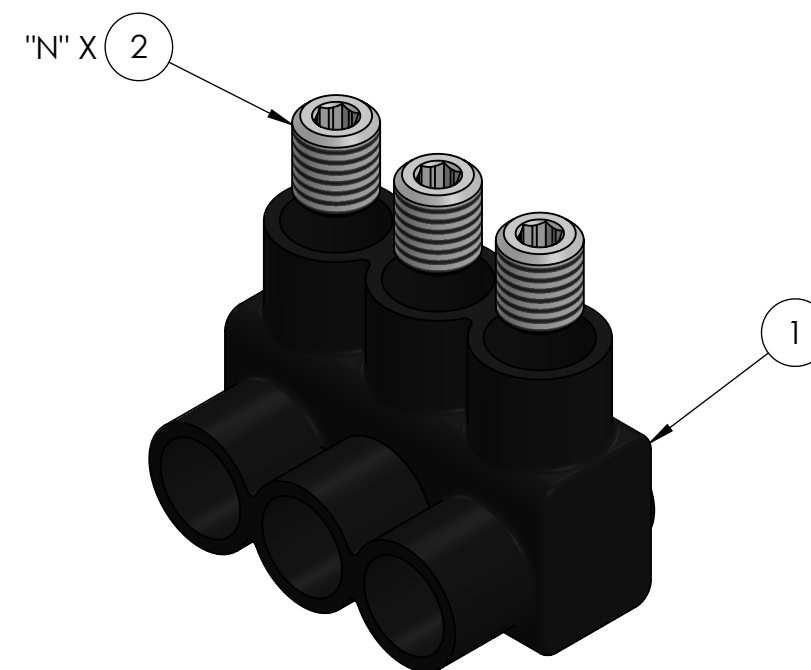


INK STAMPING:
PENN-UNION
CAT. NO.
350 MCM - 10 SOL
 **AL9CU**



CAT. NO.	L REF.	N	NUMBER OF CONDUCTORS	APPROX. WEIGHT (LB)
IPBB-NA350-2S	2.40	2	2	0.358
IPBB-NA350-3S	3.53	3	3	0.536
IPBB-NA350-4S	4.65	4	4	0.710
IPBB-NA350-5S	5.78	5	5	0.886
IPBB-NA350-6S	6.90	6	6	1.062
IPBB-NA350-8S	9.15	8	8	1.414
IPBB-NA350-10S	11.40	10	10	1.766
IPBB-NA350-12S	13.65	12	12	2.119
IPBB-NA350-14S	15.90	14	14	2.471

- NOTES:
1. APPROX. WEIGHT EXCLUDES ITEMS 3 AND 4
 2. CONDUCTOR PORTS ARE "N" QUANTITY, VIEWS BELOW ARE FOR REFERENCE ONLY



RoHS
COMPLIANT

CONDUCTOR SIZE AND STRANDING					
CLASS B & C	CLASS G	CLASS H	CLASS I	CLASS K	DIESEL LOCOMOTIVE CABLE (DLO)
350 MCM - 10 SOL.	250 MCM (259/.0311) - #10 (49/.0146)	250 MCM (427/.0242) - #9 (133/.0099)	250 MCM (637/.0201) - #6 (63/.0201)	250 MCM (2499/.0100) - #9 (133/.0100)	4/0 (550/.0201) - #10 (27/.0201)

NO.	ECN	DATE
1	11881	12/27/2019
REVISIONS		

	2N	4	PLASTIC PLUG (NOT SHOWN)
	X	3	CUAL-GEL OXIDE INHIBITOR (NOT SHOWN)
	N	2	ALUMINUM SET SCREW
	1	1	INSULATED ALUMINUM BODY
QTY.	PT.	NAME OR DESCRIPTION	
BLACK INSULATED POWER BAR for 350 MCM - 10 SOL			
REF. DWG'S: 4304-98060S1		H:\4304\98060S1_C	
 229 WATERFORD STREET EDINBORO, PA 16412 USA		DRAWN BY: QJB	DATE: 6/10/2021
		CHK'D: CLT	FILE: 4304
SCALE: 2:3	INTERPRET PER ASME Y14.5-2009		DWG. NO. IPBB-NA350-S
SIZE: B	REV. 1		