
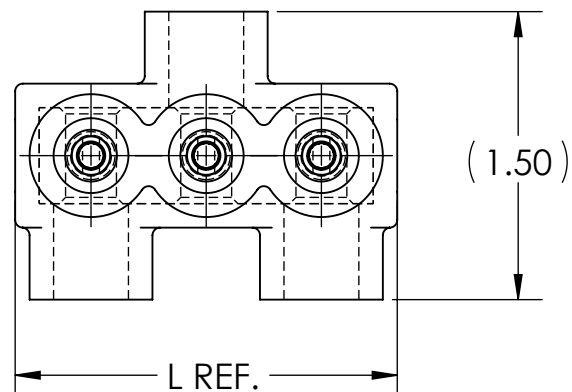


DWG. NO. **IPBB-NA4-A** REV. **1**

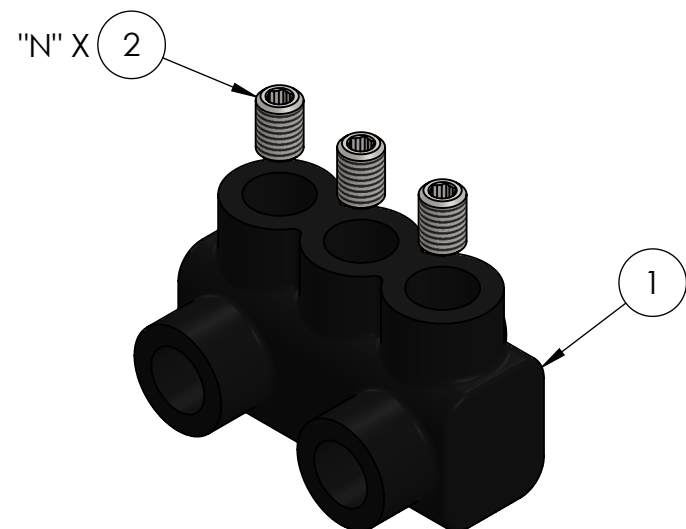
- NOTES:
1. ALL DIMENSIONS IN INCHES UNLESS OTHERWISE SPECIFIED
 2. CONDUCTOR RANGE: 4 STR - 14 SOL
 3. SUITABLE FOR USE IN PANEL BOARDS, CABLE TRAYS, RACEWAYS, DUCTS, AND TROUGHS
 4. INSULATION TEMPERATURE RATING: 135°C TO -40°C
 5. PRE-FILLED WITH OXIDE INHIBITOR
 6. SUPPLIED WITH REMOVABLE ACCESS PLUGS
 7. PRE-INSULATED WITH BLACK HIGH DIELECTRIC STRENGTH PLASTISOL
 8. HEX SIZE: 1/8"
 9. INSTALLATION TORQUE: 45 IN•LB (10-14 AWG), 50 IN•LB (4-8 AWG)
 10.  LISTED TO 486A-486B FOR ALUMINUM AND COPPER CONDUCTORS AT 90°C
 11. CONNECTORS ARE RATED AND LISTED FOR PARALLEL USE. PLEASE SEE PARALLEL RATING SHEET FOR SPECIFIC INFORMATION

CAT. NO.	L REF.	N	NUMBER OF CONDUCTORS	APPROX. WEIGHT (LB)
IPBB-NA4-2A	1.39	2	2	0.068
IPBB-NA4-3A	1.99	3	3	0.100
IPBB-NA4-4A	2.59	4	4	0.131
IPBB-NA4-5A	3.19	5	5	0.163
IPBB-NA4-6A	3.79	6	6	0.195
IPBB-NA4-8A	4.99	8	8	0.259
IPBB-NA4-10A	6.19	10	10	0.322
IPBB-NA4-12A	7.39	12	12	0.386
IPBB-NA4-14A	8.59	14	14	0.449

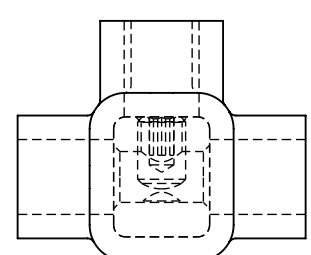
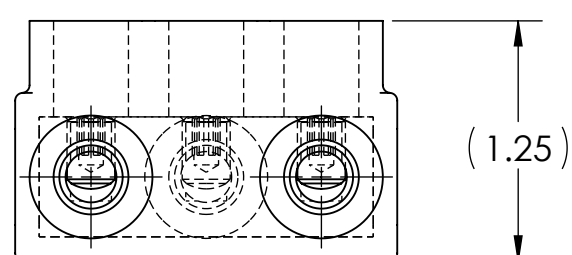
- NOTES:
1. APPROX. WEIGHT EXCLUDES ITEMS 3 AND 4
 2. CONDUCTOR PORTS ARE "N" QUANTITY, VIEWS BELOW ARE FOR REFERENCE ONLY



INK STAMPING:
 PENN-UNION
 CAT. NO.
 4 STR - 14 SOL
 AL9CU



RoHS
COMPLIANT



QTY.	PT.	NAME OR DESCRIPTION
	2N	4 PLASTIC PLUG (NOT SHOWN)
	X	3 CUAL GEL OXIDE INHIBITOR (NOT SHOWN)
	N	2 ALUMINUM SET SCREW
	1	1 INSULATED ALUMINUM BODY

BLACK INSULATED POWER BAR
for
4 STR - 14 SOL

CONDUCTOR SIZE AND STRANDING					
CLASS B & C	CLASS G	CLASS H	CLASS I	CLASS K	DIESEL LOCOMOTIVE CABLE (DLO)
4 STR. - 14 SOL.	#6 (49/.0231) - #14 (49/.0092)	#6 (133/.0140) - #9 (133/.0099)	#6 (63/.0201)	#6 (266/.0100) - #9 (133/.0100)	#6 (61/.0201) - #14 (19/.0142)

NO.	ECN	DATE
1	11881	12/27/2019

REVISIONS

REF. DWG'S: 4304-98057S3 H:\4304\98057S3_C

PENNUNION
 229 WATERFORD STREET
 EDINBORO, PA 16412 USA

DRAWN BY: QJB DATE: 6/10/2021 CHK'D: CLT
 SCALE: 1:1 INTERPRET PER ASME Y14.5-2009 FILE: 4304

SIZE: B DWG. NO. **IPBB-NA4-A** REV. **1**