
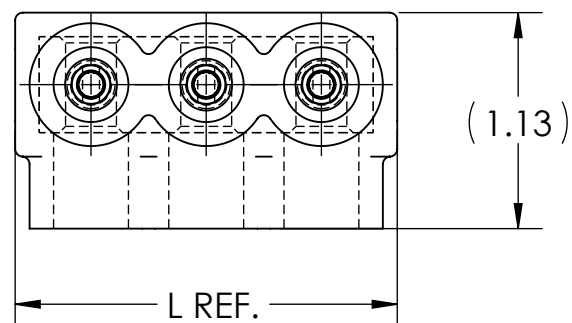


DWG. NO. **IPBB-NA4-S** REV. **1**

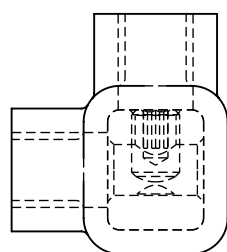
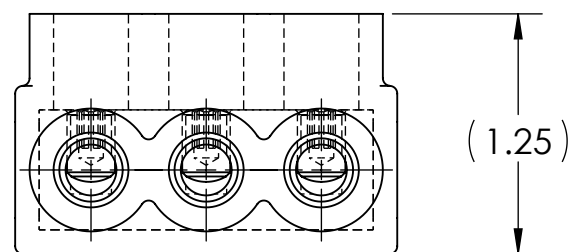
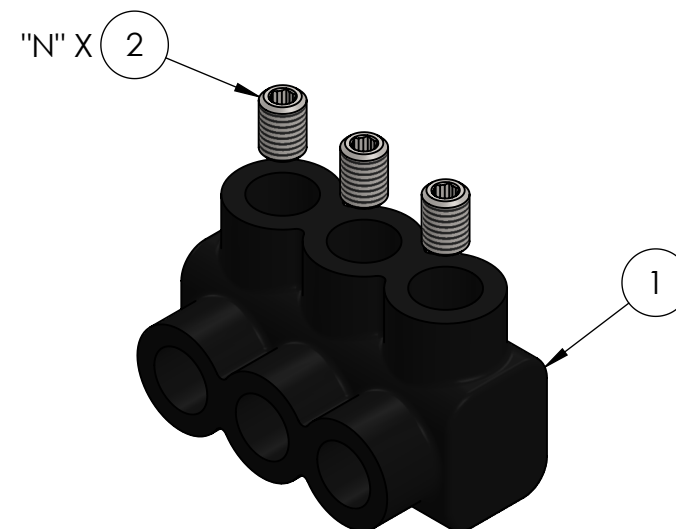
- NOTES:
1. ALL DIMENSIONS IN INCHES UNLESS OTHERWISE SPECIFIED
 2. CONDUCTOR RANGE: 4 STR - 14 SOL
 3. SUITABLE FOR USE IN PANEL BOARDS, CABLE TRAYS, RACEWAYS, DUCTS, AND TROUGHS
 4. INSULATION TEMPERATURE RATING: 135°C TO -40°C
 5. PRE-FILLED WITH OXIDE INHIBITOR
 6. SUPPLIED WITH REMOVABLE ACCESS PLUGS
 7. PRE-INSULATED WITH BLACK HIGH DIELECTRIC STRENGTH PLASTISOL
 8. HEX SIZE: 1/8"
 9. INSTALLATION TORQUE: 45 IN•LB (10-14 AWG), 50 IN•LB (4-8 AWG)
 10.  LISTED TO 486A-486B FOR ALUMINUM AND COPPER CONDUCTORS AT 90°C
 11. CONNECTORS ARE RATED AND LISTED FOR PARALLEL USE. PLEASE SEE PARALLEL RATING SHEET FOR SPECIFIC INFORMATION

CAT. NO.	L REF.	N	NUMBER OF CONDUCTORS	APPROX. WEIGHT (LB)
IPBB-NA4-2S	1.39	2	2	0.068
IPBB-NA4-3S	1.99	3	3	0.100
IPBB-NA4-4S	2.59	4	4	0.131
IPBB-NA4-5S	3.19	5	5	0.163
IPBB-NA4-6S	3.79	6	6	0.194
IPBB-NA4-8S	4.99	8	8	0.258
IPBB-NA4-10S	6.19	10	10	0.321
IPBB-NA4-12S	7.39	12	12	0.385
IPBB-NA4-14S	8.59	14	14	0.448

- NOTES:
1. APPROX. WEIGHT EXCLUDES ITEMS 3 AND 4
 2. CONDUCTOR PORTS ARE "N" QUANTITY, VIEWS BELOW ARE FOR REFERENCE ONLY



INK STAMPING:
PENN-UNION
 CAT. NO.
 4 STR - 14 SOL
 **AL9CU**



RoHS
COMPLIANT

CONDUCTOR SIZE AND STRANDING					
CLASS B & C	CLASS G	CLASS H	CLASS I	CLASS K	DIESEL LOCOMOTIVE CABLE (DLO)
4 STR. - 14 SOL.	#6 (49/.0231) - #14 (49/.0092)	#6 (133/.0140) - #9 (133/.0099)	#6 (63/.0201)	#6 (266/.0100) - #9 (133/.0100)	#6 (61/.0201) - #14 (19/.0142)

NO.	ECN	DATE
1	11881	12/27/2019

REVISIONS

	2N	4	PLASTIC PLUG (NOT SHOWN)
	X	3	CUAL GEL OXIDE INHIBITOR (NOT SHOWN)
	N	2	ALUMINUM SET SCREW
	1	1	INSULATED ALUMINUM BODY
QTY.	PT.	NAME OR DESCRIPTION	
		BLACK INSULATED POWER BAR for 4 STR - 14 SOL	
REF. DWG'S: 4304-98057S1		H:\4304\98057S1_C	
 PENNUNION 229 WATERFORD STREET EDINBORO, PA 16412 USA		DRAWN BY: QJB	DATE: 6/10/2021
		CHK'D: CLT	FILE: 4304
		SCALE: 1:1	INTERPRET PER ASME Y14.5-2009
		SIZE: B	
		DWG. NO. IPBB-NA4-S	REV. 1