
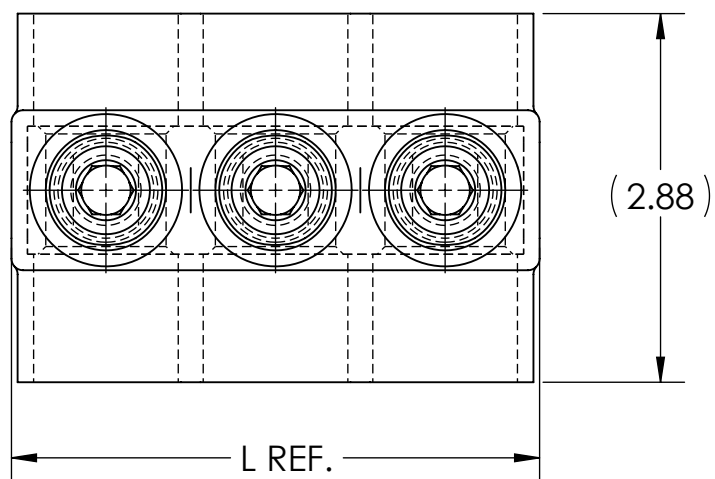



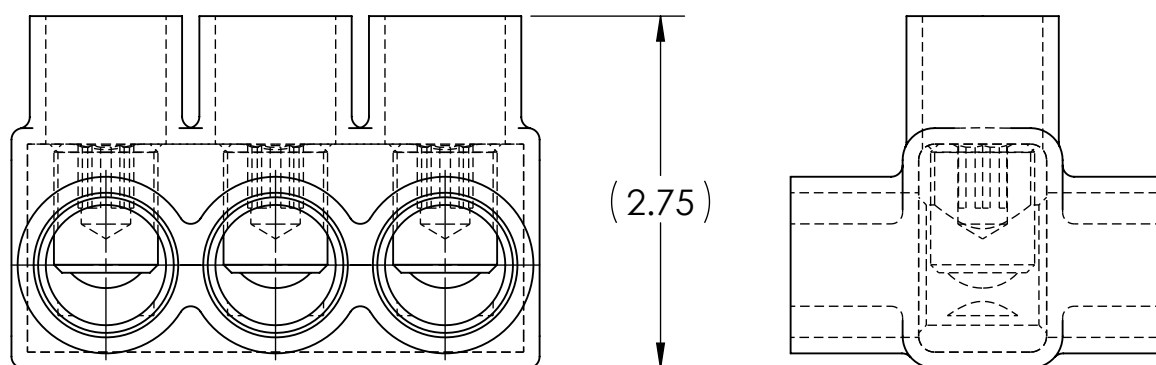
DWG. NO. **IPBB-NA600-D** REV. **1**

- NOTES:
1. ALL DIMENSIONS IN INCHES UNLESS OTHERWISE SPECIFIED
 2. CONDUCTOR RANGE: 600 MCM - 4 STR
 3. SUITABLE FOR USE IN PANEL BOARDS, CABLE TRAYS, RACEWAYS, DUCTS, AND TROUGHS
 4. INSULATION TEMPERATURE RATING: 135°C TO -40°C
 5. PRE-FILLED WITH OXIDE INHIBITOR
 6. SUPPLIED WITH REMOVABLE ACCESS PLUGS
 7. PRE-INSULATED WITH BLACK HIGH DIELECTRIC STRENGTH PLASTISOL
 8. HEX SIZE: 3/8"
 9. INSTALLATION TORQUE: 400 IN•LB

10.  LISTED TO 486A-486B FOR ALUMINUM AND COPPER CONDUCTORS AT 90°C
11. CONNECTORS ARE RATED AND LISTED FOR PARALLEL USE. PLEASE SEE PARALLEL RATING SHEET FOR SPECIFIC INFORMATION

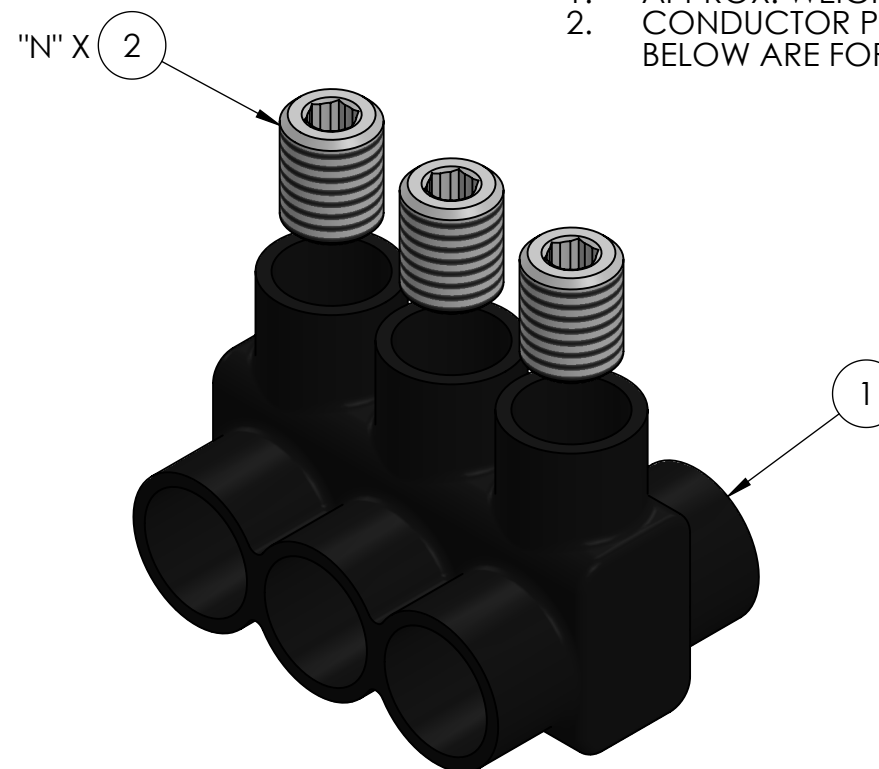


INK STAMPING:
PENN-UNION
CAT. NO.
600 MCM - 4 STR
 **AL9CU**



CAT. NO.	L REF.	N	NUMBER OF CONDUCTORS	APPROX. WEIGHT (LB)
IPBB-NA600-2D	2.80	2	2	0.478
IPBB-NA600-3D	4.13	3	3	0.717
IPBB-NA600-4D	5.45	4	4	0.949
IPBB-NA600-5D	6.78	5	5	1.185
IPBB-NA600-6D	8.10	6	6	1.421
IPBB-NA600-8D	10.75	8	8	1.892
IPBB-NA600-10D	13.40	10	10	2.413
IPBB-NA600-12D	16.05	12	12	2.836
IPBB-NA600-14D	18.70	14	14	3.307

- NOTES:
1. APPROX. WEIGHT EXCLUDES ITEMS 3 AND 4
 2. CONDUCTOR PORTS ARE "N" QUANTITY, VIEWS BELOW ARE FOR REFERENCE ONLY




RoHS
COMPLIANT

CONDUCTOR SIZE AND STRANDING

CLASS B & C	CLASS G	CLASS H	CLASS I	CLASS K	DIESEL LOCOMOTIVE CABLE (DLO)
600 MCM - 4 STR.	350 MCM (259/.0368) - #4 (49/.0292)	350 MCM (427/.0286) - #4 (133/.0177)	350 MCM (882/.0201) - #4 (105/.0201)	350 MCM (3458/.0100) - #4 (420/.0100)	373 MCM (925/.0201) - #4 (105/.0201)

NO.	ECN	DATE
1	11881	12/27/2019

	3N	4	PLASTIC PLUG (NOT SHOWN)
	X	3	CUAL-GEL OXIDE INHIBITOR (NOT SHOWN)
	N	2	ALUMINUM SET SCREW
	1	1	INSULATED ALUMINUM BODY
QTY.	PT.	NAME OR DESCRIPTION	
		BLACK INSULATED POWER BAR for 600 MCM - 4 STR	
REF. DWG'S: 4304-98056S2		H:\4304\98056S2_C	
 PENNUNION 229 WATERFORD STREET EDINBORO, PA 16412 USA		DRAWN BY: QJB	DATE: 6/11/2021
		CHK'D: CLT	FILE: 4304
SCALE: 2:3	INTERPRET PER ASME Y14.5-2009		SIZE: B
DWG. NO. IPBB-NA600-D	REV. 1		