
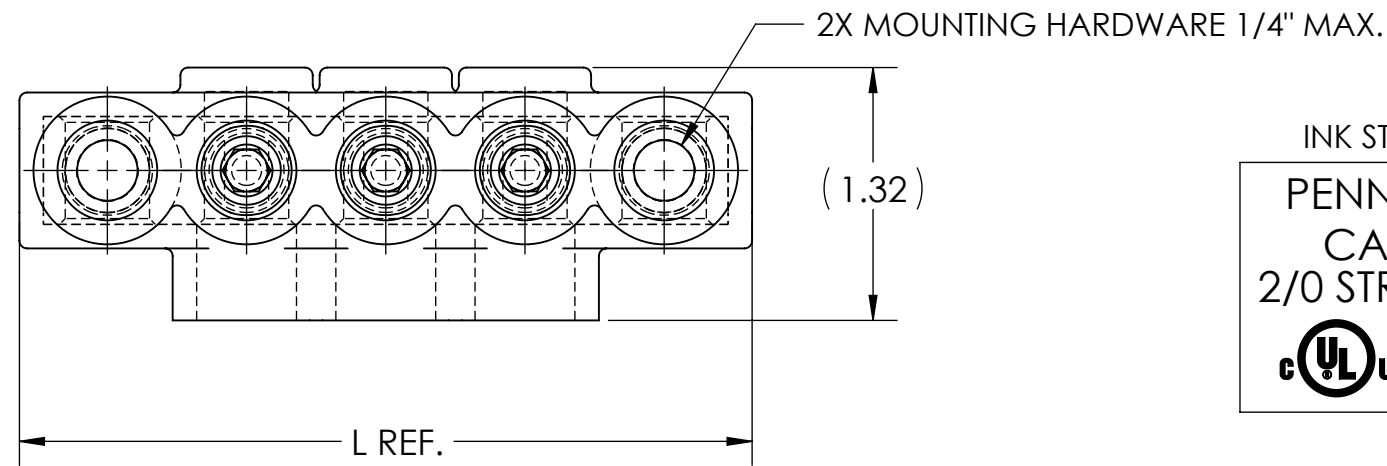



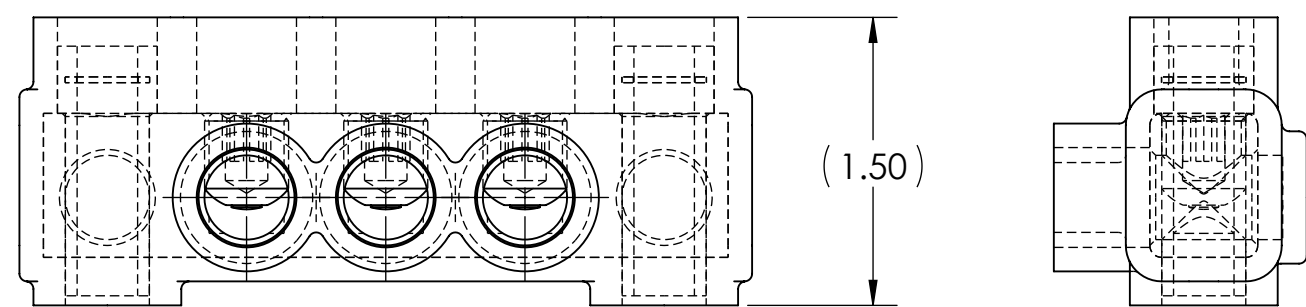
DWG. NO. **IPBM-NA2/0-S** REV. **6**

- NOTES:
1. ALL DIMENSIONS IN INCHES UNLESS OTHERWISE SPECIFIED
  2. CONDUCTOR RANGE: 2/0 STR - 14 SOL
  3. DESIGNED FOR APPLICATIONS WHERE SECURE MOUNTING OF CONNECTOR IS REQUIRED
  4. SUITABLE FOR USE IN PANEL BOARDS, CABLE TRAYS, RACEWAYS, DUCTS, AND TROUGHS
  5. INSULATION TEMPERATURE RATING: 135°C TO -40°C
  6. PRE-FILLED WITH OXIDE INHIBITOR
  7. SUPPLIED WITH REMOVABLE ACCESS PLUGS
  8. PRE-INSULATED WITH CLEAR HIGH DIELECTRIC STRENGTH PLASTISOL
  9. HEX SIZE: 7/32"
  10. INSTALLATION TORQUE: 180 IN•LB

11.  LISTED TO 486A-486B FOR ALUMINUM AND COPPER CONDUCTORS AT 90°C
12. CONNECTORS ARE RATED AND LISTED FOR PARALLEL USE. PLEASE SEE PARALLEL RATING SHEET FOR SPECIFIC INFORMATION

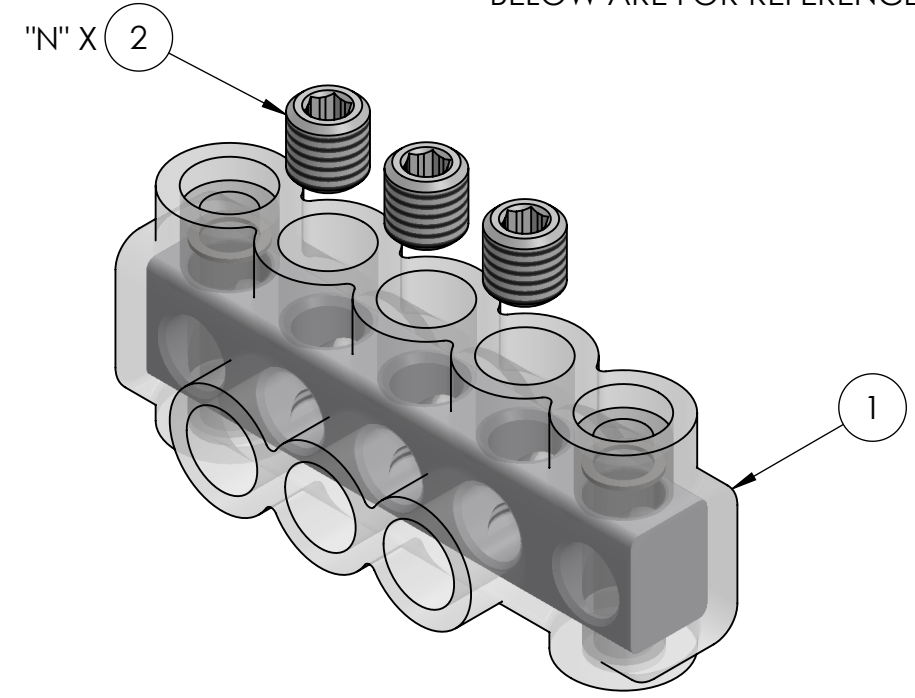


INK STAMPING:  
**PENN-UNION**  
 CAT. NO.  
 2/0 STR - 14 SOL  
 AL9CU



CAT. NO.	L REF.	N	NUMBER OF CONDUCTORS	APPROX. WEIGHT (LB)
IPBM-NA2/0-2S	3.09	2	2	0.162
IPBM-NA2/0-3S	3.82	3	3	0.204
IPBM-NA2/0-4S	4.54	4	4	0.245
IPBM-NA2/0-5S	5.27	5	5	0.287
IPBM-NA2/0-6S	5.99	6	6	0.329
IPBM-NA2/0-8S	7.44	8	8	0.412
IPBM-NA2/0-10S	8.89	10	10	0.496
IPBM-NA2/0-12S	10.34	12	12	0.579

- NOTES:
1. APPROX. WEIGHT EXCLUDES ITEMS 3 AND 4
  2. CONDUCTOR PORTS ARE "N" QUANTITY, VIEWS BELOW ARE FOR REFERENCE ONLY



**RoHS**  
COMPLIANT

CONDUCTOR SIZE AND STRANDING					
CLASS B & C	CLASS G	CLASS H	CLASS I	CLASS K	DIESEL LOCOMOTIVE CABLE (DLO)
2/0 STR. - 14 SOL.	#1 (133/.0251) - #14 (49/.0092)	#1 (259/.0180) - #9 (133/.0099)	#1 (210/.0201) - #6 (63/.0201)	#1 (836/.0100) - #9 (133/.0100)	#1 (225/.0201) - #14 (19/.0142)

NO.	ECN	DATE
6	11908	1/2/2020
5	11841	4/2/2019
4	11678	12/22/2016
3	11675	12/20/2016
2	11576	6/19/2015
1	11530	2/10/2015

QTY.	PT.	NAME OR DESCRIPTION
2N	4	PLASTIC PLUG (NOT SHOWN)
X	3	CUAL-GEL OXIDE INHIBITOR (NOT SHOWN)
N	2	ALUMINUM SET SCREW
1	1	INSULATED ALUMINUM BODY

**CLEAR INSULATED MOUNTABLE POWER BAR**  
for  
2/0 STR - 14 SOL

REF. DWG'S: 4304-55777S1 H:\4304\55777S1\_C

	DRAWN BY: QJB	DATE: 6/11/2021	CHK'D: CLT
229 WATERFORD STREET EDINBORO, PA 16412 USA	SCALE: 1:1	INTERPRET PER ASME Y14.5-2009	FILE: 4304

SEE TABLE CAT. NO. **IPBM-NA2/0-S** REV. **6**