
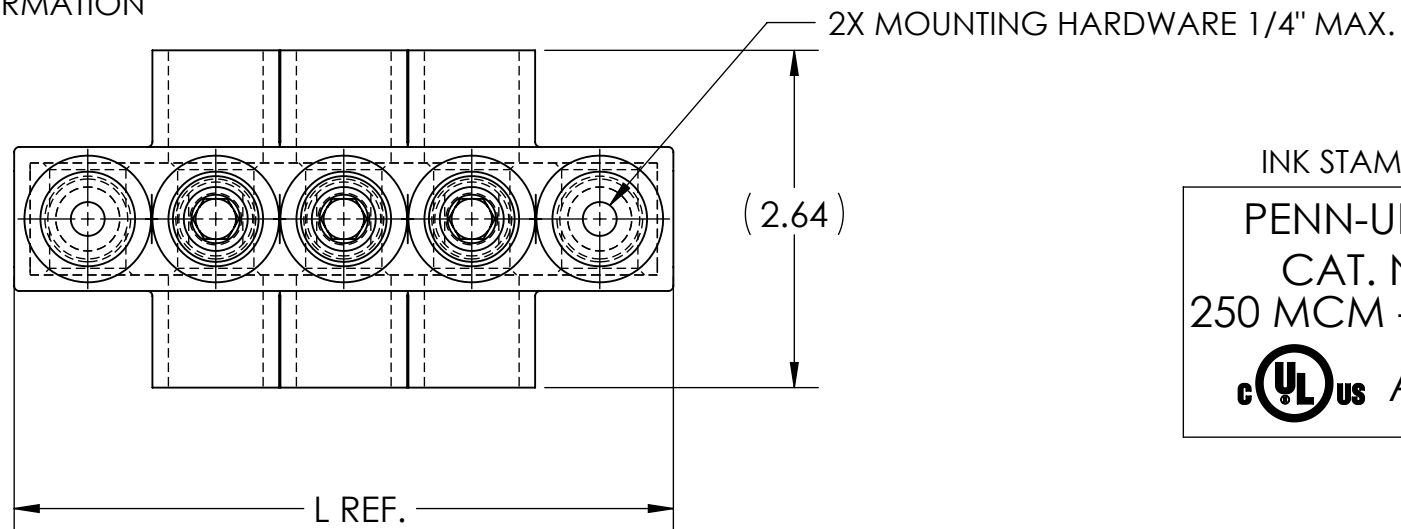



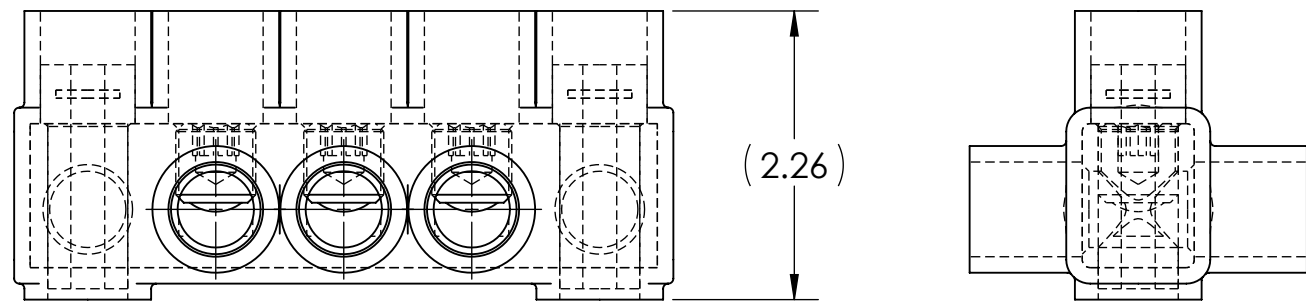
DWG. NO. **IPBM-NA250-D** REV. **4**

- NOTES:
1. ALL DIMENSIONS IN INCHES UNLESS OTHERWISE SPECIFIED
 2. CONDUCTOR RANGE: 250 MCM - 10 SOL
 3. DESIGNED FOR APPLICATIONS WHERE SECURE MOUNTING OF CONNECTOR IS REQUIRED
 4. SUITABLE FOR USE IN PANEL BOARDS, CABLE TRAYS, RACEWAYS, DUCTS, AND TROUGHS
 5. INSULATION TEMPERATURE RATING: 135°C TO -40°C
 6. PRE-FILLED WITH OXIDE INHIBITOR
 7. SUPPLIED WITH REMOVABLE ACCESS PLUGS
 8. PRE-INSULATED WITH CLEAR HIGH DIELECTRIC STRENGTH PLASTISOL
 9. HEX SIZE: 5/16"
 10. INSTALLATION TORQUE: 275 IN•LB

11.  LISTED TO 486A-486B FOR ALUMINUM AND COPPER CONDUCTORS AT 90°C
12. CONNECTORS ARE RATED AND LISTED FOR PARALLEL USE. PLEASE SEE PARALLEL RATING SHEET FOR SPECIFIC INFORMATION

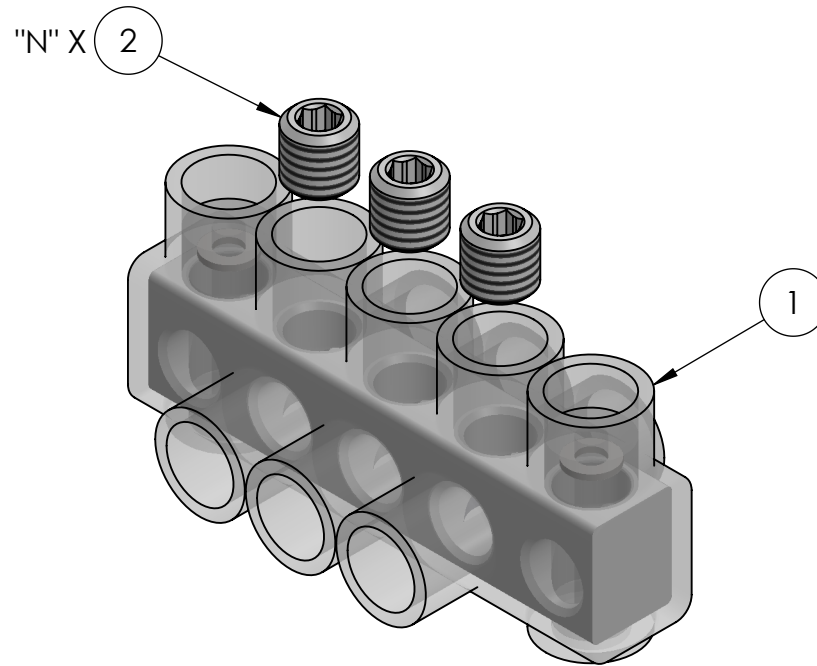


INK STAMPING:
PENN-UNION
 CAT. NO.
 250 MCM - 10 SOL
 AL9CU



CAT. NO.	L REF.	N	NUMBER OF CONDUCTORS	APPROX. WEIGHT (LB)
IPBM-NA250-2D	4.15	2	2	0.473
IPBM-NA250-3D	5.15	3	3	0.598
IPBM-NA250-4D	6.15	4	4	0.723
IPBM-NA250-5D	7.15	5	5	0.849
IPBM-NA250-6D	8.15	6	6	0.974
IPBM-NA250-8D	10.15	8	8	1.225
IPBM-NA250-10D	12.15	10	10	1.476
IPBM-NA250-12D	14.15	12	12	1.726

- NOTES:
1. APPROX. WEIGHT EXCLUDES ITEMS 3 AND 4
 2. CONDUCTOR PORTS ARE "N" QUANTITY, VIEWS BELOW ARE FOR REFERENCE ONLY



RoHS
COMPLIANT

CONDUCTOR SIZE AND STRANDING					
CLASS B & C	CLASS G	CLASS H	CLASS I	CLASS K	DIESEL LOCOMOTIVE CABLE (DLO)
250 MCM - 10 SOL.	3/0 (133/.0355) - #10 (49/.0146)	3/0 (259/.0255) - #9 (133/.0099)	3/0 (418/.0201) - #6 (63/.0201)	3/0 (1666/.0100) - #9 (133/.0100)	3/0 (450/.0201) - #10 (27/.0142)

NO.	ECN	DATE
4	11908	1/2/2020
3	11841	4/2/2019
2	11675	12/20/2016
1	11576	6/19/2015

QTY.	PT.	NAME OR DESCRIPTION
3N	4	PLASTIC PLUG (NOT SHOWN)
X	3	CUAL-GEL OXIDE INHIBITOR (NOT SHOWN)
N	2	ALUMINUM SET SCREW
1	1	INSULATED ALUMINUM BODY

CLEAR INSULATED MOUNTABLE POWER BAR
for
250 MCM - 10 SOL

REF. DWG'S: 4304-55777S4 H:\4304\55777S4_C

PENNUNION
229 WATERFORD STREET
EDINBORO, PA 16412 USA

DRAWN BY: QJB DATE: 6/14/2021 CHK'D: CLT
 SCALE: 2:3 INTERPRET PER ASME Y14.5-2009 FILE: 4304

SIZE: B DWG. NO. **IPBM-NA250-D** REV. **4**