
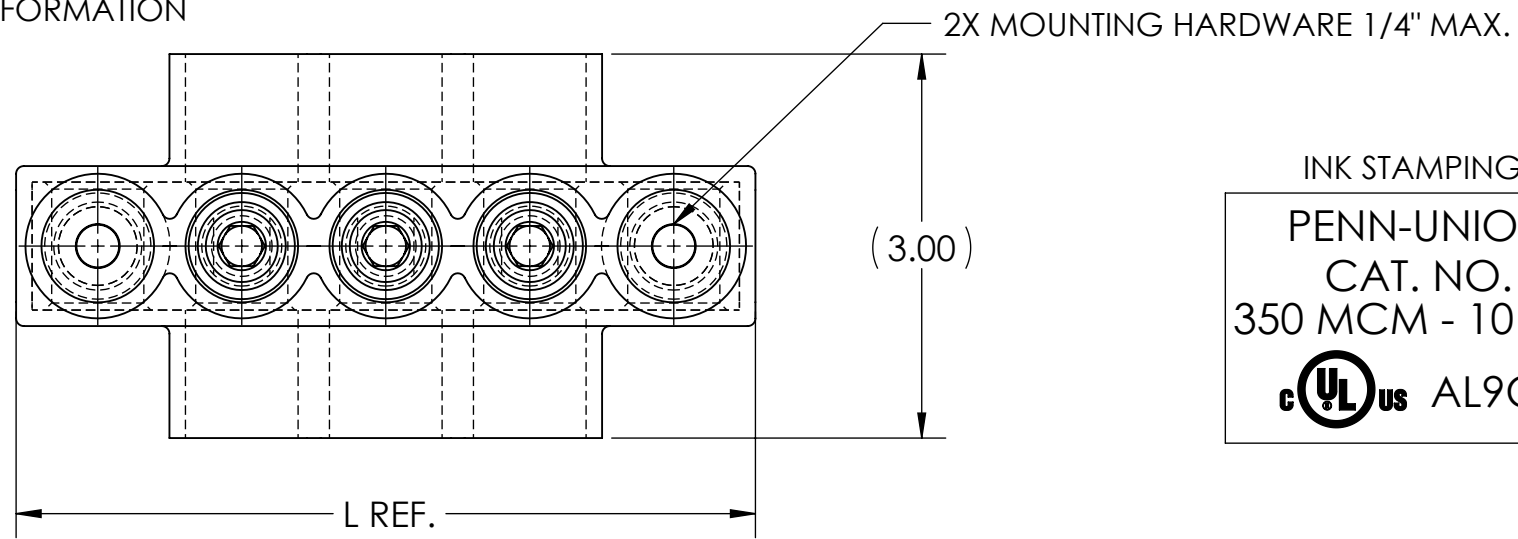



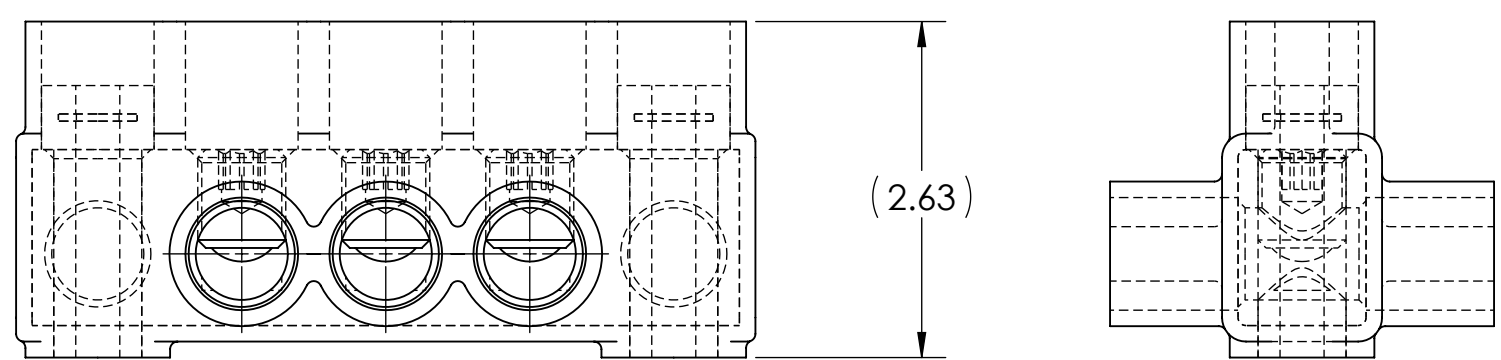
DWG. NO. **IPBM-NA350-D** REV. **3**

- NOTES:
1. ALL DIMENSIONS IN INCHES UNLESS OTHERWISE SPECIFIED
 2. CONDUCTOR RANGE: 350 MCM - 10 SOL
 3. DESIGNED FOR APPLICATIONS WHERE SECURE MOUNTING OF CONNECTOR IS REQUIRED
 4. SUITABLE FOR USE IN PANEL BOARDS, CABLE TRAYS, RACEWAYS, DUCTS, AND TROUGHS
 5. INSULATION TEMPERATURE RATING: 135°C TO -40°C
 6. PRE-FILLED WITH OXIDE INHIBITOR
 7. SUPPLIED WITH REMOVABLE ACCESS PLUGS
 8. PRE-INSULATED WITH CLEAR HIGH DIELECTRIC STRENGTH PLASTISOL
 9. HEX SIZE: 5/16"
 10. INSTALLATION TORQUE: 275 IN•LB

11.  LISTED TO 486A-486B FOR ALUMINUM AND COPPER CONDUCTORS AT 90°C
12. CONNECTORS ARE RATED AND LISTED FOR PARALLEL USE. PLEASE SEE PARALLEL RATING SHEET FOR SPECIFIC INFORMATION

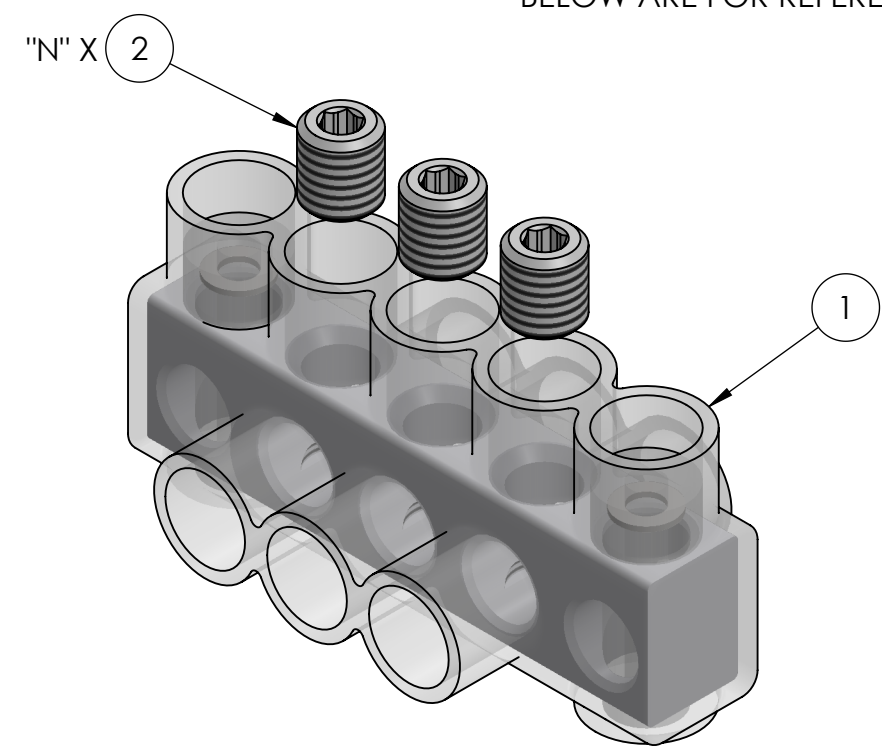


INK STAMPING:
PENN-UNION
CAT. NO.
350 MCM - 10 SOL
 **AL9CU**



CAT. NO.	L REF.	N	NUMBER OF CONDUCTORS	APPROX. WEIGHT (LB)
IPBM-NA350-2D	4.65	2	2	0.694
IPBM-NA350-3D	5.78	3	3	0.884
IPBM-NA350-4D	6.90	4	4	1.064
IPBM-NA350-5D	8.03	5	5	1.249
IPBM-NA350-6D	9.15	6	6	1.434
IPBM-NA350-8D	11.40	8	8	1.804
IPBM-NA350-10D	13.65	10	10	2.174
IPBM-NA350-12D	15.90	12	12	2.544


- NOTES:
1. APPROX. WEIGHT EXCLUDES ITEMS 3 AND 4
 2. CONDUCTOR PORTS ARE "N" QUANTITY, VIEWS BELOW ARE FOR REFERENCE ONLY



RoHS
COMPLIANT

CONDUCTOR SIZE AND STRANDING					
CLASS B & C	CLASS G	CLASS H	CLASS I	CLASS K	DIESEL LOCOMOTIVE CABLE (DLO)
350 MCM - 10 SOL.	250 MCM (259/.0311) - #10 (49/.0146)	250 MCM (427/.0242) - #9 (133/.0099)	250 MCM (637/.0201) - #6 (63/.0201)	250 MCM (2499/.0100) - #9 (133/.0100)	4/0 (550/.0201) - #10 (27/.0142)

NO.	ECN	DATE
3	11908	1/2/2020
2	11675	12/20/2016
1	11576	6/19/2015

QTY.	PT.	NAME OR DESCRIPTION
3N	4	PLASTIC PLUG (NOT SHOWN)
X	3	CUAL-GEL OXIDE INHIBITOR (NOT SHOWN)
N	2	ALUMINUM SET SCREW
1	1	INSULATED ALUMINUM BODY
CLEAR INSULATED MOUNTABLE POWER BAR for 350 MCM - 10 SOL		
REF. DWG'S: 4304-55777S6		H:\4304\55777S6_C
 229 WATERFORD STREET EDINBORO, PA 16412 USA		DRAWN BY: QJB DATE: 6/15/2021 CHK'D: CLT
		SCALE: 2:3 INTERPRET PER ASME Y14.5-2009 FILE: 4304
SEE TABLE	CAT. NO.	DWG. NO. IPBM-NA350-D REV. 3