
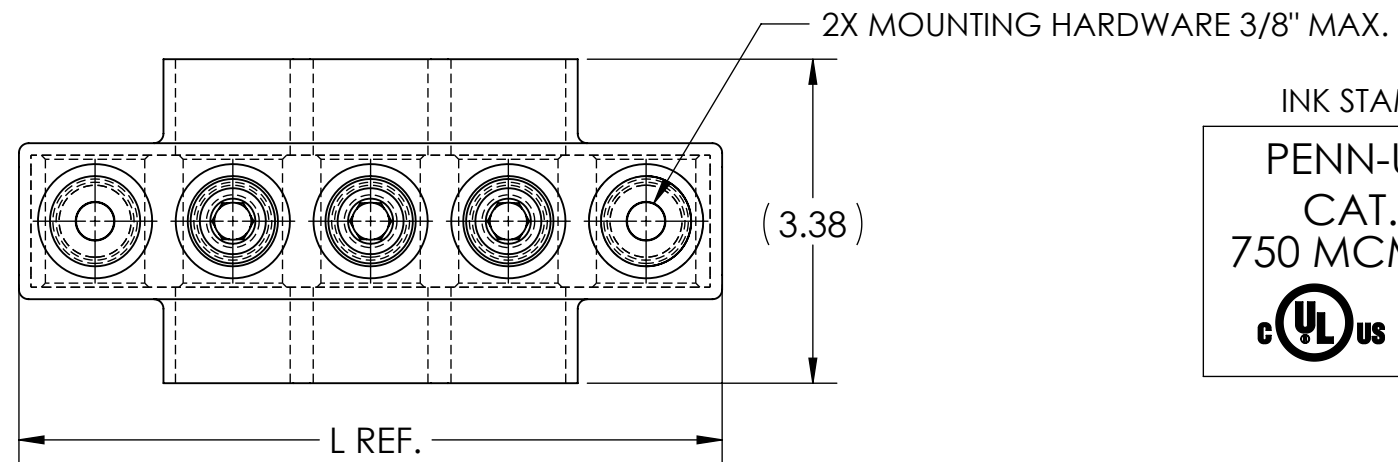



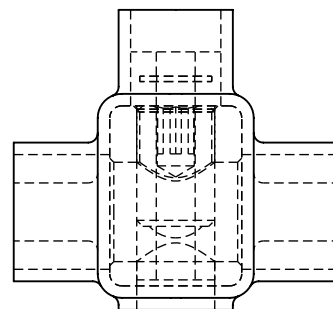
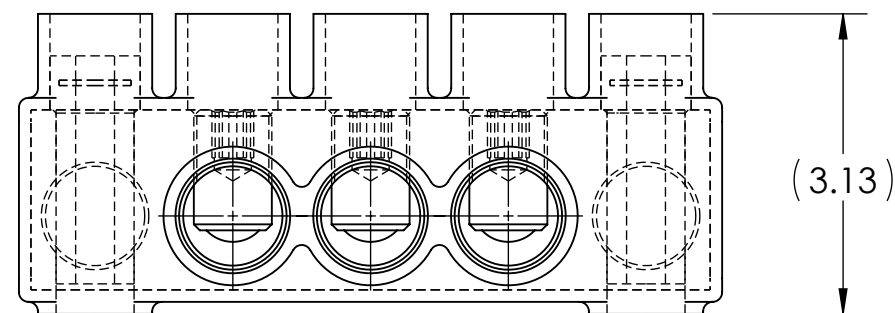
DWG. NO. **IPBM-NA750-D** REV. **4**

- NOTES:
1. ALL DIMENSIONS IN INCHES UNLESS OTHERWISE SPECIFIED
 2. CONDUCTOR RANGE: 750 MCM - 2 STR
 3. DESIGNED FOR APPLICATIONS WHERE SECURE MOUNTING OF CONNECTOR IS REQUIRED
 4. SUITABLE FOR USE IN PANEL BOARDS, CABLE TRAYS, RACEWAYS, DUCTS, AND TROUGHS
 5. INSULATION TEMPERATURE RATING: 135°C TO -40°C
 6. PRE-FILLED WITH OXIDE INHIBITOR
 7. SUPPLIED WITH REMOVABLE ACCESS PLUGS
 8. PRE-INSULATED WITH CLEAR HIGH DIELECTRIC STRENGTH PLASTISOL
 9. HEX SIZE: 3/8"
 10. INSTALLATION TORQUE: 550 IN•LB

11.  LISTED TO 486A-486B FOR ALUMINUM AND COPPER CONDUCTORS AT 90°C
12. CONNECTORS ARE RATED AND LISTED FOR PARALLEL USE. PLEASE SEE PARALLEL RATING SHEET FOR SPECIFIC INFORMATION

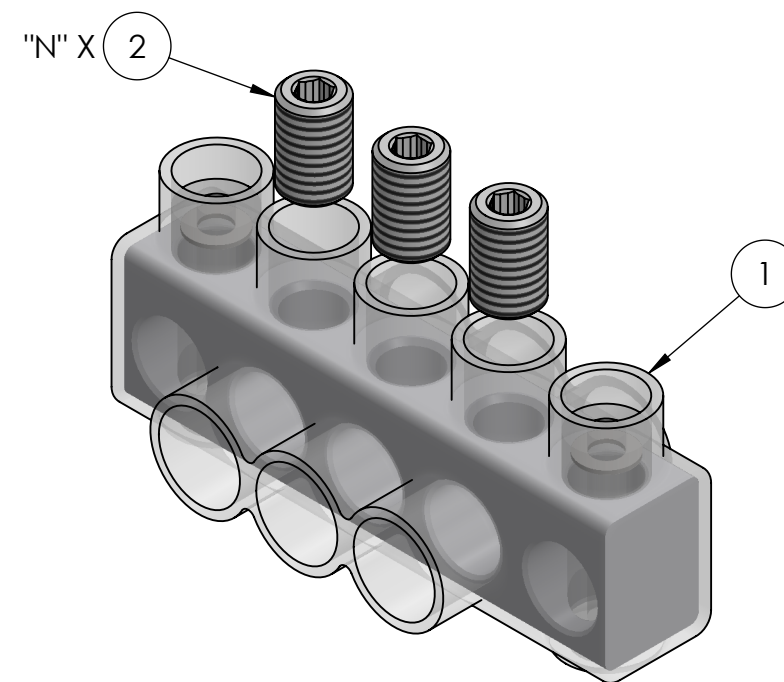


INK STAMPING:
PENN-UNION
CAT. NO.
750 MCM - 2 STR
 **AL9CU**



CAT. NO.	L REF.	N	NUMBER OF CONDUCTORS	APPROX. WEIGHT (LB)
IPBM-NA750-2D	5.89	2	2	1.364
IPBM-NA750-3D	7.33	3	3	1.739
IPBM-NA750-4D	8.76	4	4	2.099
IPBM-NA750-5D	10.20	5	5	2.466
IPBM-NA750-6D	11.63	6	6	2.833
IPBM-NA750-8D	14.50	8	8	3.568
IPBM-NA750-10D	17.37	10	10	4.303
IPBM-NA750-12D	20.24	12	12	5.038

- NOTES:
1. APPROX. WEIGHT EXCLUDES ITEMS 3 AND 4
 2. CONDUCTOR PORTS ARE "N" QUANTITY, VIEWS BELOW ARE FOR REFERENCE ONLY



RoHS
COMPLIANT

CONDUCTOR SIZE AND STRANDING					
CLASS B & C	CLASS G	CLASS H	CLASS I	CLASS K	DIESEL LOCOMOTIVE CABLE (DLO)
750 MCM - 2 STR.	500 MCM (259/.0439) - #2 (49/.0368)	500 MCM (427/.0342) - #2 (259/.0160)	500 MCM (1225/.0201) - #2 (161/.0201)	500 MCM (5054/.0100) - #2 (665/.0100)	535 MCM (1325/.0201) - #2 (150/.0201)

NO.	ECN	DATE
4	12086	6/1/2021
3	11908	1/2/2020
2	11675	12/20/2016
1	11576	6/19/2015

QTY.	PT.	NAME OR DESCRIPTION
3N	4	PLASTIC PLUG (NOT SHOWN)
X	3	CUAL-GEL OXIDE INHIBITOR (NOT SHOWN)
N	2	ALUMINUM SET SCREW
1	1	INSULATED ALUMINUM BODY

CLEAR INSULATED MOUNTABLE POWER BAR
for
750 MCM - 2 STR

REF. DWG'S: 4304-55777S10 H:\4304\55777S10_C

	DRAWN BY: QJB	DATE: 6/15/2021	CHK'D: CLT
229 WATERFORD STREET EDINBORO, PA 16412 USA	SCALE: 1:2	INTERPRET PER ASME Y14.5-2009	FILE: 4304

DWG. NO. **IPBM-NA750-D** REV. **4**