
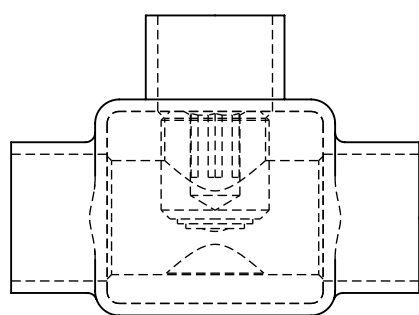
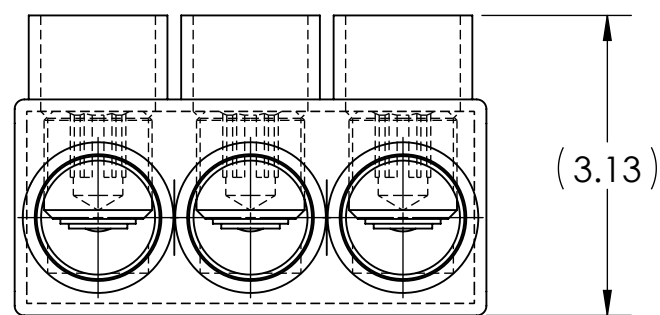
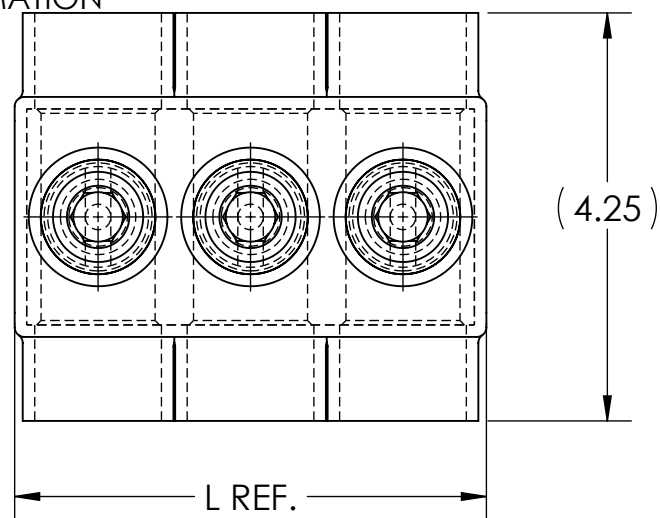



DWG. NO. **IPB-NA1000-D** REV. **1**

- NOTES:
1. ALL DIMENSIONS IN INCHES UNLESS OTHERWISE SPECIFIED
 2. CONDUCTOR RANGE: 1000 MCM - 1/0 STR
 3. SUITABLE FOR USE IN PANEL BOARDS, CABLE TRAYS, RACEWAYS, DUCTS, AND TROUGHS
 4. INSULATION TEMPERATURE RATING: 135°C TO -40°C
 5. PRE-FILLED WITH OXIDE INHIBITOR
 6. SUPPLIED WITH REMOVABLE ACCESS PLUGS
 7. PRE-INSULATED WITH CLEAR HIGH DIELECTRIC STRENGTH PLASTISOL
 8. HEX SIZE: 1/2"
 9. INSTALLATION TORQUE: 600 IN•LB

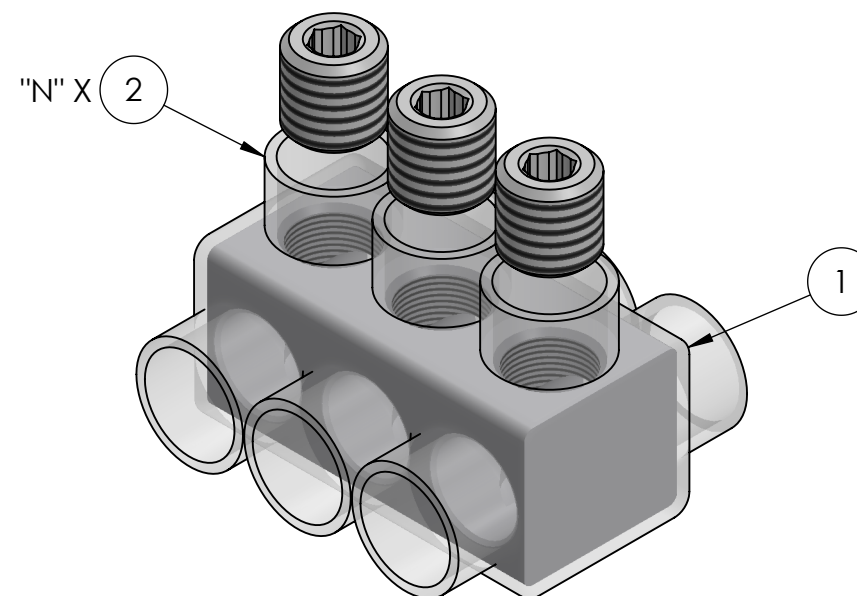
10.  LISTED TO 486A-486B FOR ALUMINUM AND COPPER CONDUCTORS AT 90°C
11. CONNECTORS ARE RATED AND LISTED FOR PARALLEL USE. PLEASE SEE PARALLEL RATING SHEET FOR SPECIFIC INFORMATION



INK STAMPING:
PENN-UNION
 CAT. NO.
 1000 MCM - 1/0 STR
 AL9CU

CAT. NO.	L REF.	N	NUMBER OF CONDUCTORS	APPROX. WEIGHT (LB)
IPB-NA1000-2D	3.33	2	2	1.223
IPB-NA1000-3D	4.91	3	3	1.832
IPB-NA1000-4D	6.50	4	4	2.436
IPB-NA1000-5D	8.09	5	5	3.042
IPB-NA1000-6D	9.68	6	6	3.648
IPB-NA1000-8D	12.85	8	8	4.861
IPB-NA1000-10D	16.03	10	10	6.074
IPB-NA1000-12D	19.21	12	12	7.287
IPB-NA1000-14D	22.38	14	14	8.500


- NOTES:
1. APPROX. WEIGHT EXCLUDES ITEMS 3 AND 4
 2. CONDUCTOR PORTS ARE "N" QUANTITY, VIEWS BELOW ARE FOR REFERENCE ONLY



RoHS
COMPLIANT

CONDUCTOR SIZE AND STRANDING					
CLASS B & C	CLASS G	CLASS H	CLASS I	CLASS K	DIESEL LOCOMOTIVE CABLE (DLO)
1000 MCM - 1/0 STR.	600 MCM (427/.0375) - #1 (133/.0251)	600 MCM (703/.0292) - #1 (259/.0180)	600 MCM (1470/.0201) - #1 (210/.0201)	600 MCM (5985/.0100) - #1 (836/.0100)	646 MCM (1600/.0201) - #1 (225/.0201)

NO.	ECN	DATE
1	11881	12/27/2019
REVISIONS		

	3N	4	PLASTIC PLUG (NOT SHOWN)
	X	3	CUAL-GEL OXIDE INHIBITOR (NOT SHOWN)
	N	2	ALUMINUM SET SCREW
	1	1	INSULATED ALUMINUM BODY
QTY.	PT.	NAME OR DESCRIPTION	
		CLEAR INSULATED POWER BAR for 1000 MCM - 1/0 STR	
REF. DWG'S: 4304-96972S2		H:\4304\96972S2_C	
 PENN-UNION 229 WATERFORD STREET EDINBORO, PA 16412 USA		DRAWN BY: QJB	DATE: 6/11/2021
		CHK'D: CLT	FILE: 4304
SCALE: 1:2	INTERPRET PER ASME Y14.5-2009		SIZE: B
DWG. NO. IPB-NA1000-D	REV. 1		