


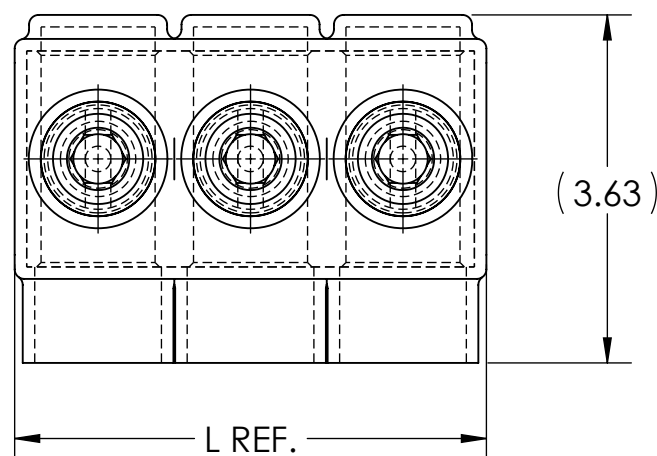
DWG. NO. **IPB-NA1000-S** REV. **1**


- NOTES:
1. ALL DIMENSIONS IN INCHES UNLESS OTHERWISE SPECIFIED
  2. CONDUCTOR RANGE: 1000 MCM - 1/0 STR
  3. SUITABLE FOR USE IN PANEL BOARDS, CABLE TRAYS, RACEWAYS, DUCTS, AND TROUGHS
  4. INSULATION TEMPERATURE RATING: 135°C TO -40°C
  5. PRE-FILLED WITH OXIDE INHIBITOR
  6. SUPPLIED WITH REMOVABLE ACCESS PLUGS
  7. PRE-INSULATED WITH CLEAR HIGH DIELECTRIC STRENGTH PLASTISOL
  8. HEX SIZE: 1/2"
  9. INSTALLATION TORQUE: 600 IN•LB

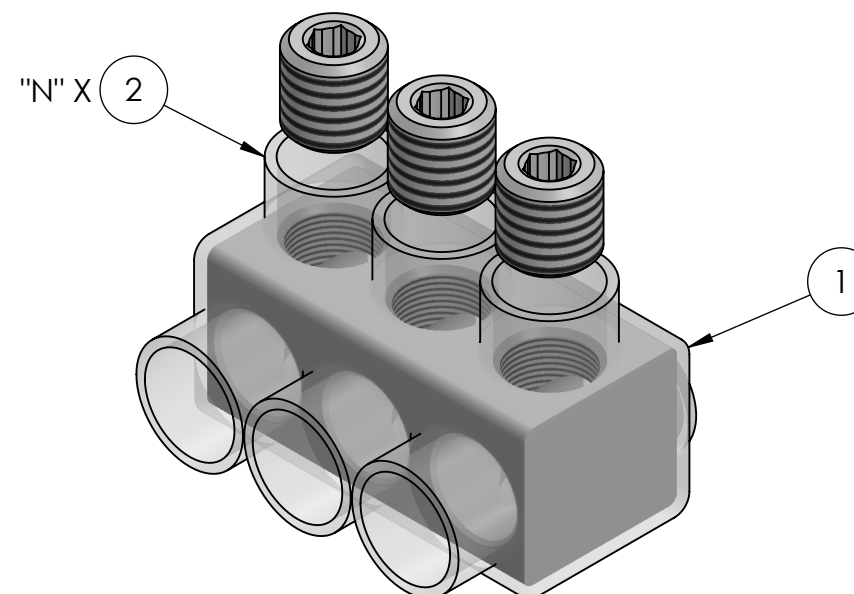
10.  LISTED TO 486A-486B FOR ALUMINUM AND COPPER CONDUCTORS AT 90°C
11. CONNECTORS ARE RATED AND LISTED FOR PARALLEL USE. PLEASE SEE PARALLEL RATING SHEET FOR SPECIFIC INFORMATION

CAT. NO.	L REF.	N	NUMBER OF CONDUCTORS	APPROX. WEIGHT (LB)
IPB-NA1000-2S	3.33	2	2	1.206
IPB-NA1000-3S	4.91	3	3	1.806
IPB-NA1000-4S	6.50	4	4	2.395
IPB-NA1000-5S	8.09	5	5	3.000
IPB-NA1000-6S	9.68	6	6	3.598
IPB-NA1000-8S	12.85	8	8	4.793
IPB-NA1000-10S	16.03	10	10	5.989
IPB-NA1000-12S	19.21	12	12	7.185
IPB-NA1000-14S	22.38	14	14	8.381

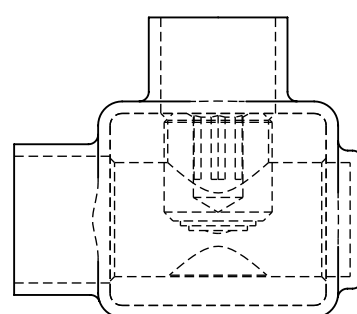
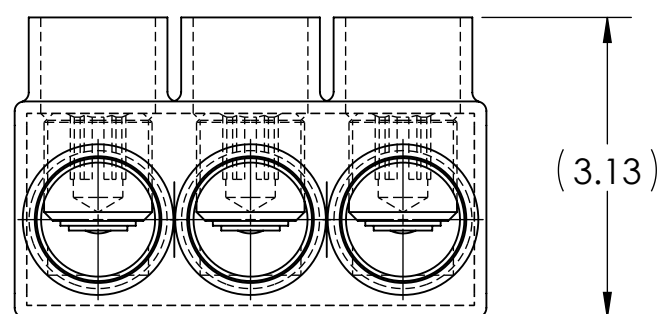
- NOTES:
1. APPROX. WEIGHT EXCLUDES ITEMS 3 AND 4
  2. CONDUCTOR PORTS ARE "N" QUANTITY, VIEWS BELOW ARE FOR REFERENCE ONLY



INK STAMPING:  
**PENN-UNION**  
**CAT. NO.**  
**1000 MCM - 1/0 STR**  
 **AL9CU**



**RoHS**  
COMPLIANT



**CONDUCTOR SIZE AND STRANDING**

CLASS B & C	CLASS G	CLASS H	CLASS I	CLASS K	DIESEL LOCOMOTIVE CABLE (DLO)
1000 MCM - 1/0 STR.	600 MCM (427/.0375) - #1 (133/.0251)	600 MCM (703/.0292) - #1 (259/.0180)	600 MCM (1470/.0201) - #1 (210/.0201)	600 MCM (5985/.0100) - #1 (836/.0100)	646 MCM (1600/.0201) - #1 (225/.0201)

NO.	ECN	DATE
1	11881	12/27/2019

QTY.	PT.	NAME OR DESCRIPTION
2N	4	PLASTIC PLUG (NOT SHOWN)
X	3	CUAL-GEL OXIDE INHIBITOR (NOT SHOWN)
N	2	ALUMINUM SET SCREW
1	1	INSULATED ALUMINUM BODY

**CLEAR INSULATED POWER BAR**  
for  
1000 MCM - 1/0 STR

REF. DWG'S: 4304-96972S1 H:\4304\96972S1\_C

**PENNUNION**  
229 WATERFORD STREET  
EDINBORO, PA 16412 USA

DRAWN BY: QJB DATE: 6/11/2021 CHK'D: CLT  
 SCALE: 1:2 INTERPRET PER ASME Y14.5-2009 FILE: 4304  
 SIZE: B DWG. NO. **IPB-NA1000-S** REV. **1**