
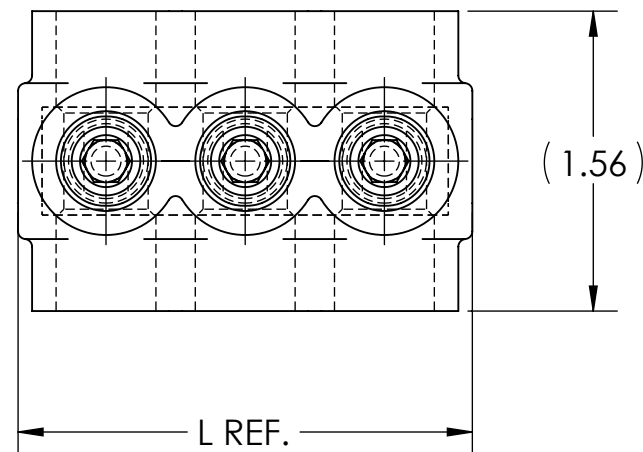



DWG. NO. **IPB-NA2/0-D** REV. **2**

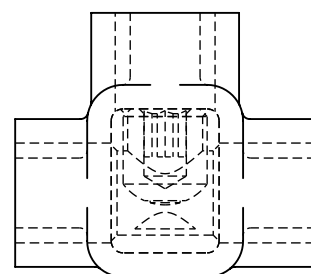
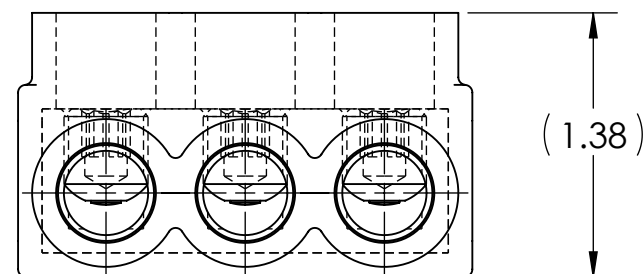
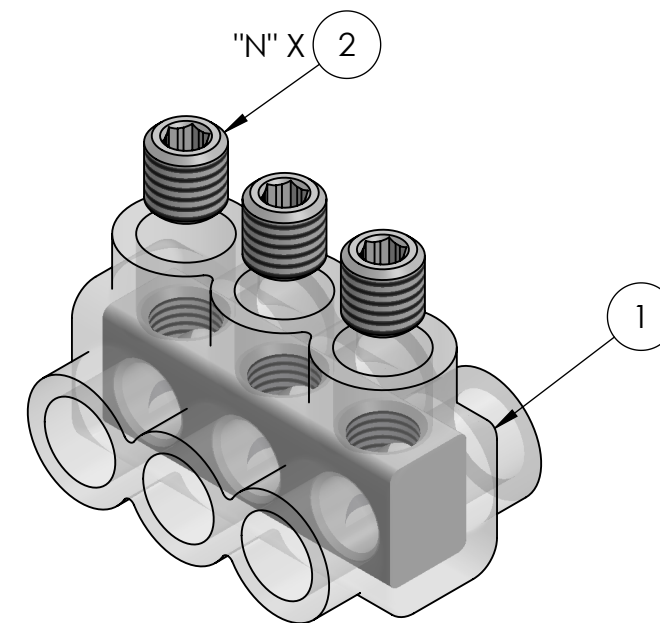
- NOTES:
1. ALL DIMENSIONS IN INCHES UNLESS OTHERWISE SPECIFIED
  2. CONDUCTOR RANGE: 2/0 STR - 14 SOL
  3. SUITABLE FOR USE IN PANEL BOARDS, CABLE TRAYS, RACEWAYS, DUCTS, AND TROUGHS
  4. INSULATION TEMPERATURE RATING: 135°C TO -40°C
  5. PRE-FILLED WITH OXIDE INHIBITOR
  6. SUPPLIED WITH REMOVABLE ACCESS PLUGS
  7. PRE-INSULATED WITH CLEAR HIGH DIELECTRIC STRENGTH PLASTISOL
  8. HEX SIZE: 7/32"
  9. INSTALLATION TORQUE: 180 IN•LB
  10.  LISTED TO 486A-486B FOR ALUMINUM AND COPPER CONDUCTORS AT 90°C
  11. CONNECTORS ARE RATED AND LISTED FOR PARALLEL USE. PLEASE SEE PARALLEL RATING SHEET FOR SPECIFIC INFORMATION

CAT. NO.	L REF.	N	NUMBER OF CONDUCTORS	APPROX. WEIGHT (LB)
IPB-NA2/0-2D	1.64	2	2	0.092
IPB-NA2/0-3D	2.37	3	3	0.136
IPB-NA2/0-4D	3.09	4	4	0.179
IPB-NA2/0-5D	3.82	5	5	0.222
IPB-NA2/0-6D	4.54	6	6	0.266
IPB-NA2/0-8D	5.99	8	8	0.352
IPB-NA2/0-10D	7.44	10	10	0.439
IPB-NA2/0-12D	8.89	12	12	0.526
IPB-NA2/0-14D	10.34	14	14	0.613

- NOTES:
1. APPROX. WEIGHT EXCLUDES ITEMS 3 AND 4
  2. CONDUCTOR PORTS ARE "N" QUANTITY, VIEWS BELOW ARE FOR REFERENCE ONLY



INK STAMPING:  
**PENN-UNION**  
 CAT. NO.  
 2/0 STR - 14 SOL  
 **AL9CU**




**RoHS**  
COMPLIANT

CONDUCTOR SIZE AND STRANDING					
CLASS B & C	CLASS G	CLASS H	CLASS I	CLASS K	DIESEL LOCOMOTIVE CABLE (DLO)
2/0 STR. - 14 SOL.	#1 (133/.0251) - #14 (49/.0092)	#1 (259/.0180) - #9 (133/.0099)	#1 (210/.0201) - #6 (63/.0201)	#1 (836/.0100) - #9 (133/.0100)	#1 (225/.0201) - #14 (19/.0142)

NO.	ECN	DATE
2	11881	12/27/2019
1	11530	2/9/2015

REVISIONS

	3N	4	PLASTIC PLUG (NOT SHOWN)
	X	3	CUAL GEL OXIDE INHIBITOR (NOT SHOWN)
	N	2	ALUMINUM SET SCREW
	1	1	INSULATED ALUMINUM BODY
QTY.	PT.	NAME OR DESCRIPTION	
		CLEAR INSULATED POWER BAR for 2/0 STR - 14 SOL	
REF. DWG'S: 4304-98196S2		H:\4304\98196S2_C	
 <b>PENNUNION</b> 229 WATERFORD STREET EDINBORO, PA 16412 USA		DRAWN BY: QJB	DATE: 6/9/2021
		CHK'D: CLT	FILE: 4304
SCALE: 1:1	INTERPRET PER ASME Y14.5-2009		SIZE: B
DWG. NO. <b>IPB-NA2/0-D</b>	REV. <b>2</b>		